



1718 W. Fullerton Chicago, IL 60614  
 Ph: 773.770.1195 • Fax: 773.935.5613  
 www.PureEdgeLighting.com • info@PureEdgeLighting.com  
 © 2016 PureEdge Lighting. All Rights Reserved.

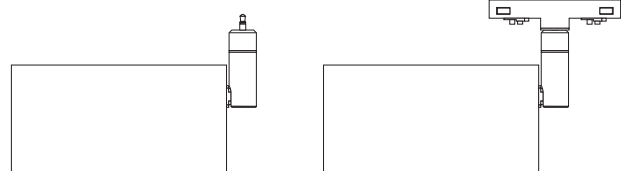
# Installation Instructions for **Tubo Large Vanishing Point and Tubo Large Track Head**

**FJ24-TUBL-\_\_**  
**T24-TUBL-\_\_**

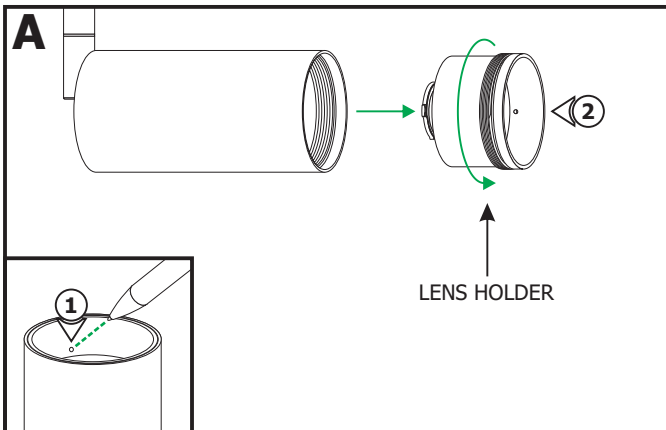
## IMPORTANT INFORMATION

- This product is suitable for indoor locations.
- Ensure that power to the electrical box is **OFF** before beginning installation.
- These lighting fixtures must be used with PureEdge Lighting 24 volt Vanishing Point Monopoint system and track systems only.
- This product is dimmable when the system is powered with PureEdge 0-10 volt, ELV and Universal power supplies.

**SAVE THESE INSTRUCTIONS!**

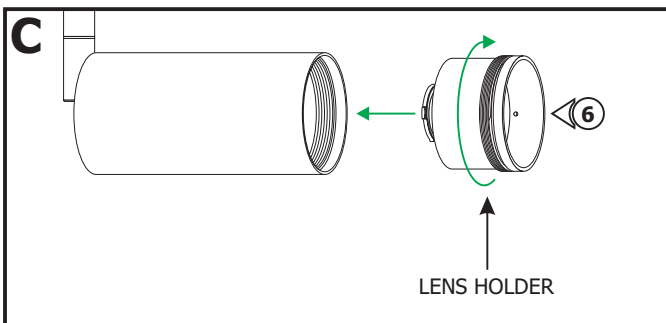
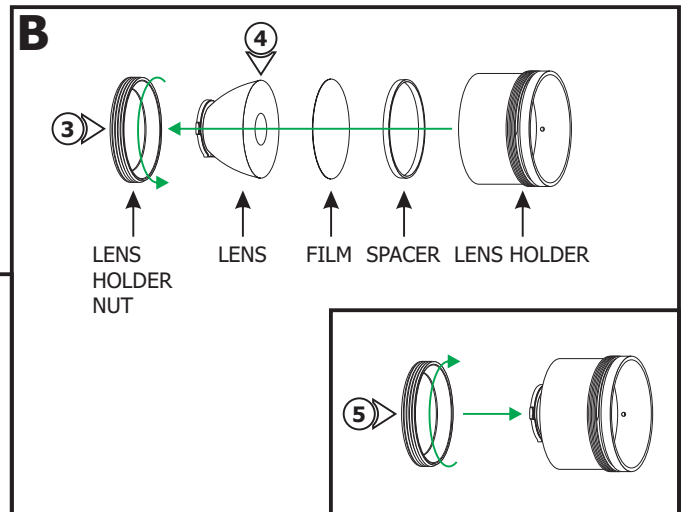


## Section One: Replace the Lens



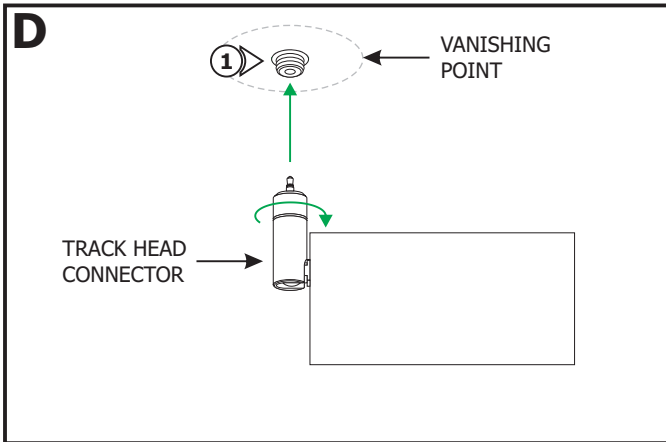
- 1: Use a pen or small Allen wrench to loosen the lens holder.
- 2: Unscrew the lens holder counter-clockwise and remove it from the fixture.

- 3: Unscrew the lens holder nut counter-clockwise and remove the lens, film, and spacer.
- 4: Replace the lens. Place the film and spacer in front of the lens and into the lens holder.
- 5: Screw the lens holder nut back into the lens holder clockwise to secure in place.



- 6: Screw the lens holder back clockwise to secure in place.

## Section Two: Install the Track Head for Vanishing Point Monopoint Systems



**NOTE:** Omit this section if installing the track head to Track Systems. Refer to Section Three.

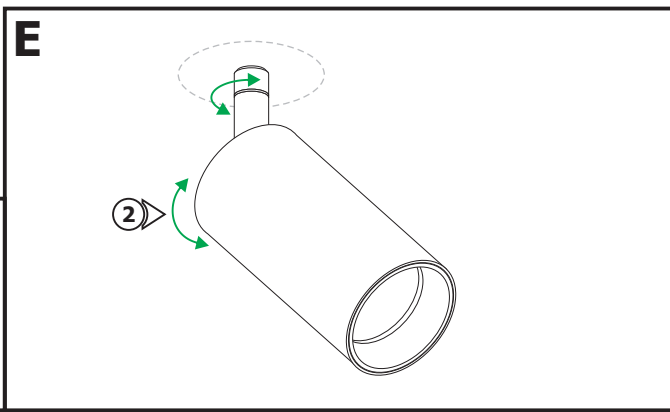
**NOTE:** Refer to the instructions provided with the Vanishing Point to install the system.

**1:** Plug the track head connector into the Vanishing Point connector. Use fingers to tighten the connector and secure in place.

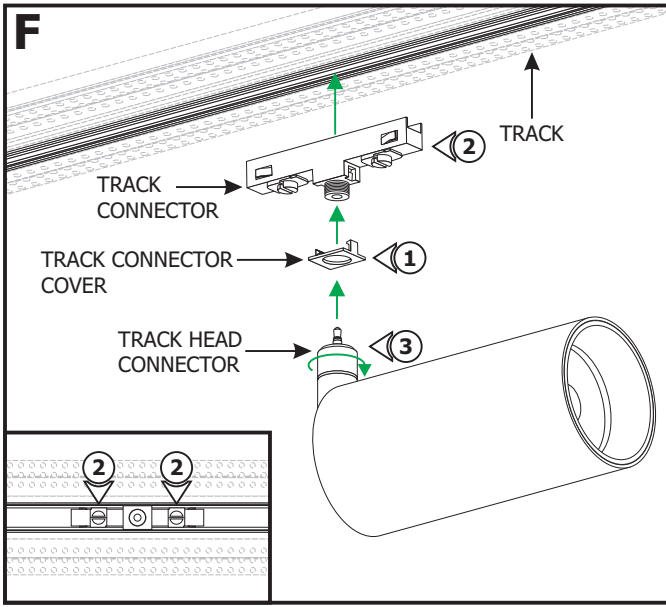
**2:** Adjust the fixture to the desired position by rotating the body vertically or horizontally.

**3:** Turn the power on.

**NOTE:** This fixture consumes **15** watts and contains integrated LED lamps which are rated for 50,000 hours.



## Section Three: Install the Track Head for Track Systems



**NOTE:** Omit this section if installing the track head to Vanishing Point Systems.

**NOTE:** Refer to the instructions provided with the track to install the system.

**1:** Snap the black or white cover onto the track connector.

**2:** Insert the track connector into the track. Tighten the slotted screws with a flat head screw driver to secure in place.

**3:** Plug the track head connector into the track connector. Use fingers to tighten the connector and secure in place.

**4:** Adjust the fixture to the desired position by rotating the body vertically or horizontally.

**5:** Turn the power on.

**NOTE:** This fixture consumes **15** watts and contains integrated LED lamps which are rated for 50,000 hours.

