



1718 W. Fullerton Chicago, IL 60614
 Ph: 773.770.1195 • Fax: 773.935.5613
 www.PureEdgeLighting.com • info@PureEdgeLighting.com
 © 2016 PureEdge Lighting. All Rights Reserved.

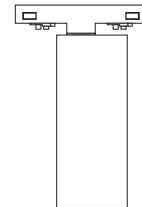
Installation Instructions for **Tubo Small Downlight Track Head**

T24-TUBSD-

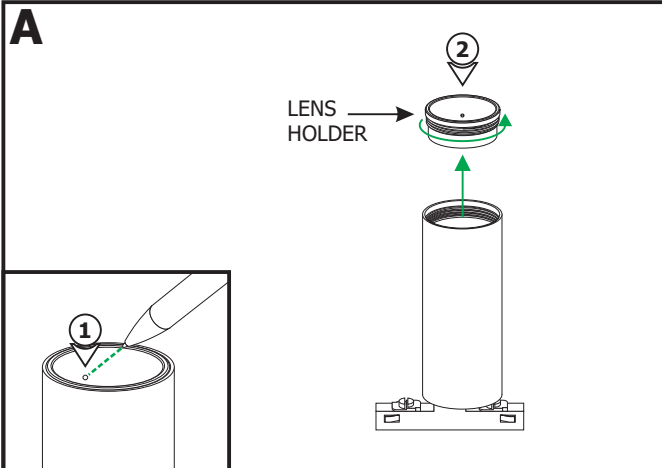
IMPORTANT INFORMATION

- This product is suitable for indoor locations.
- Ensure that power to the electrical box is **OFF** before beginning installation.
- These lighting fixtures must be used with PureEdge Lighting 24 volt track systems only.
- This product is dimmable when the system is powered with PureEdge 0-10 volt, ELV and Universal power supplies.

SAVE THESE INSTRUCTIONS!

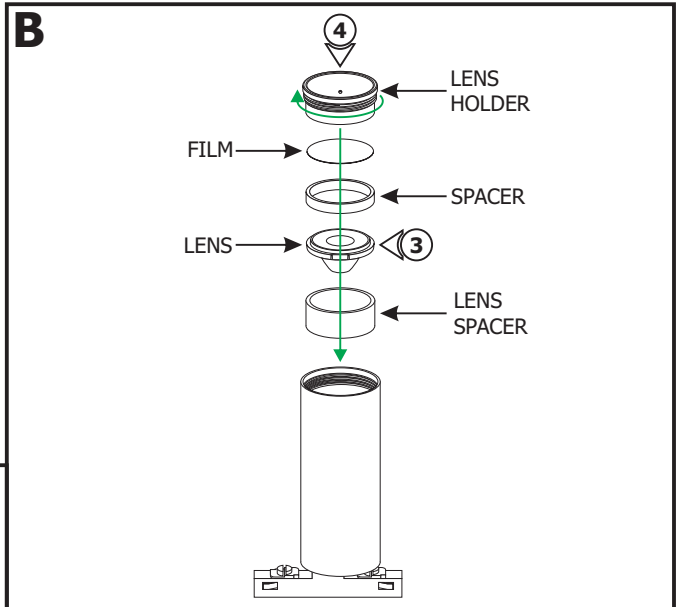


Section One: Replace the Lens



1: Use a pen or small Allen wrench to loosen the lens holder.

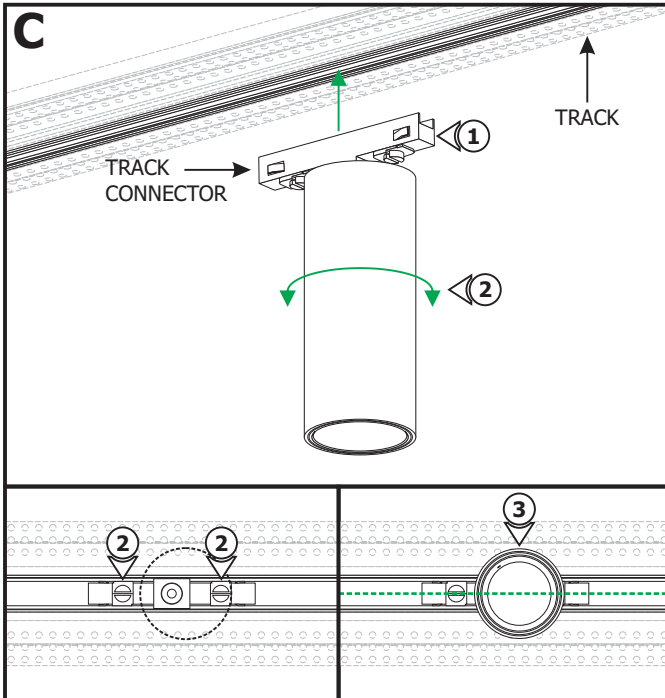
2: Unscrew the lens holder counter-clockwise and remove it from the fixture.



3: Remove the lens spacer, lens, spacer and film.

4: Replace the lens. Place the lens spacer and lens inside the fixture. Place the spacer and film over the lens and screw the lens holder back clockwise to secure in place.

Section Two: Install the Track Head for Track Systems

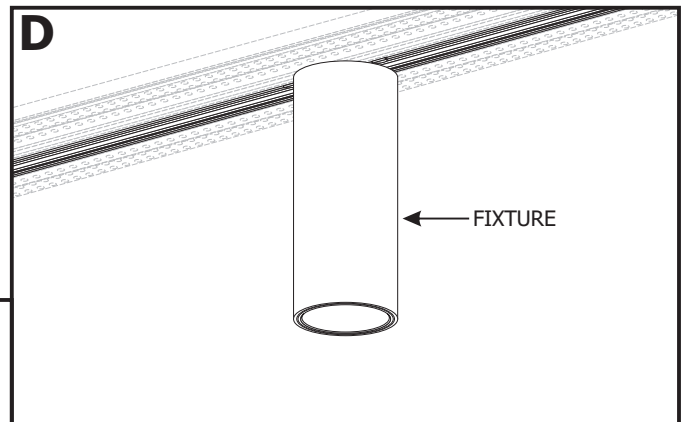


NOTE: Refer to the instructions provided with the track to install the system.

1: Insert the track connector into the track.

2: Slightly rotate the fixture to access the slotted screws on the track connector. Tighten the slotted screws with a flat head screw driver to secure in place.

3: Rotate the fixture to be centered with the track.



4: Turn the power on.

NOTE: This fixture consumes **15** watts and contains integrated LED lamps which are rated for 50,000 hours.