



1718 W. Fullerton Chicago, IL 60614  
 Ph: 773.770.1195 • Fax: 773.935.5613  
 www.PureEdgeLighting.com • info@PureEdgeLighting.com  
 © 2016 PureEdge Lighting. All Rights Reserved.

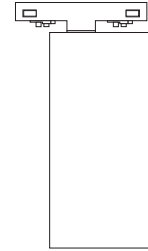
## Installation Instructions for **Tubo Large Downlight Track Head**

T24-TUBLD-    

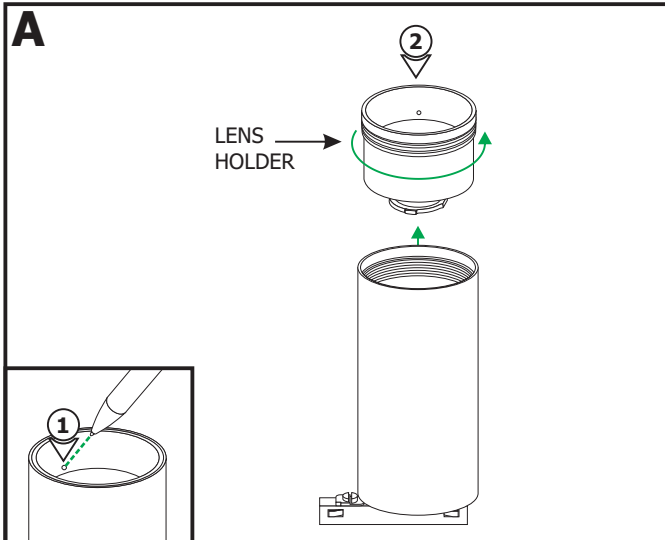
### IMPORTANT INFORMATION

- This product is suitable for indoor locations.
- Ensure that power to the electrical box is **OFF** before beginning installation.
- These lighting fixtures must be used with PureEdge Lighting 24 volt track systems only.
- This product is dimmable when the system is powered with PureEdge 0-10 volt, ELV and Universal power supplies.

**SAVE THESE INSTRUCTIONS!**



## Section One: Replace the Lens



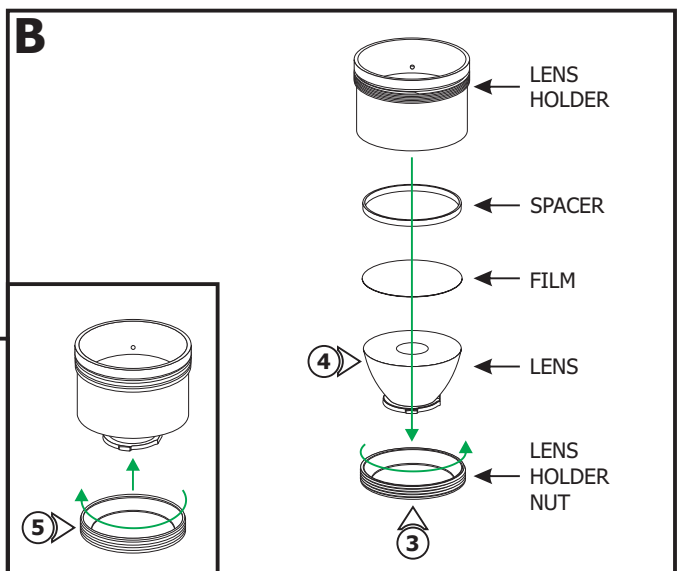
**1:** Use a pen or small Allen wrench to loosen the lens holder.

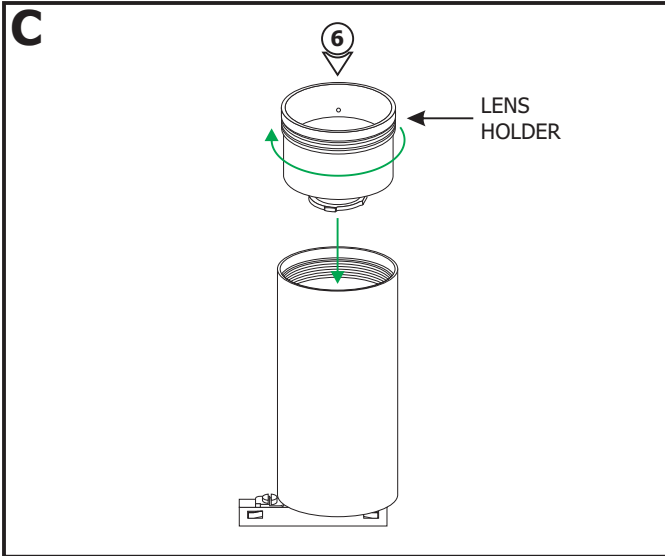
**2:** Unscrew the lens holder counter-clockwise and remove it from the fixture.

**3:** Unscrew the lens holder nut counter-clockwise and remove the lens, film, and spacer.

**4:** Replace the lens. Place the film and spacer in front of the lens and into the lens holder.

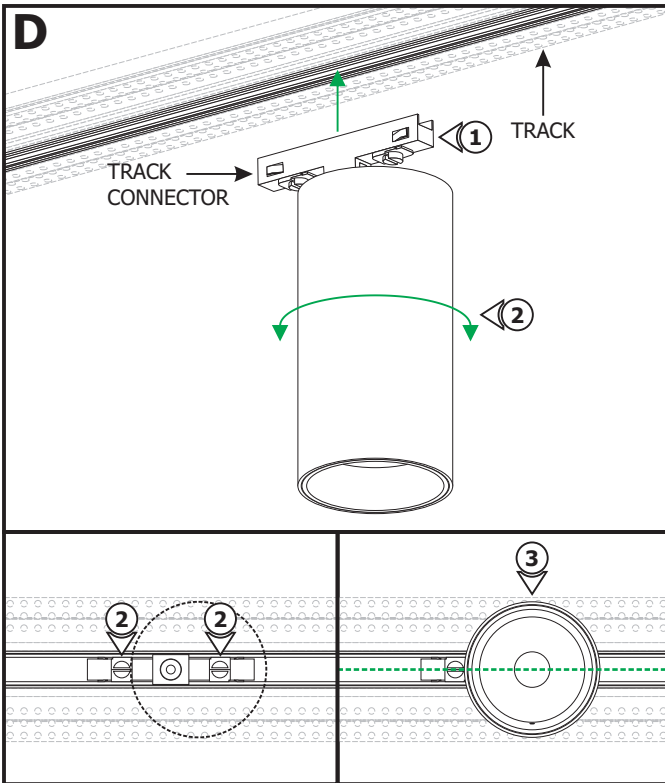
**5:** Screw the lens holder nut back into the lens holder clockwise to secure in place.





**6:** Screw the lens holder back clockwise to secure in place.

## Section Two: Install the Track Head for Track Systems



**NOTE:** Refer to the instructions provided with the track to install the system.

**1:** Insert the track connector into the track.

**2:** Slightly rotate the fixture to access the slotted screws on the track connector. Tighten the slotted screws with a flat head screw driver to secure in place.

**3:** Rotate the fixture to be centered with the track.

**4:** Turn the power on.

**NOTE:** This fixture consumes **15** watts and contains integrated LED lamps which are rated for 50,000 hours.

