



1718 W. Fullerton Chicago, IL 60614
 Ph: 773.770.1195 • Fax: 773.935.5613
 www.PureEdgeLighting.com • info@PureEdgeLighting.com
 © 2016 PureEdge Lighting. All Rights Reserved.

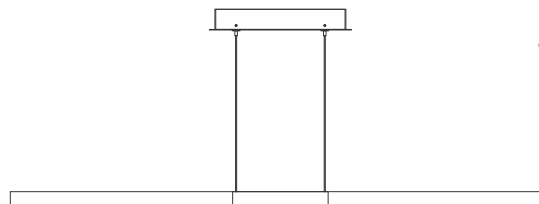
Installation Instructions for Tie Stix Suspension with Power Center Feed

TXSP-_-C-_-

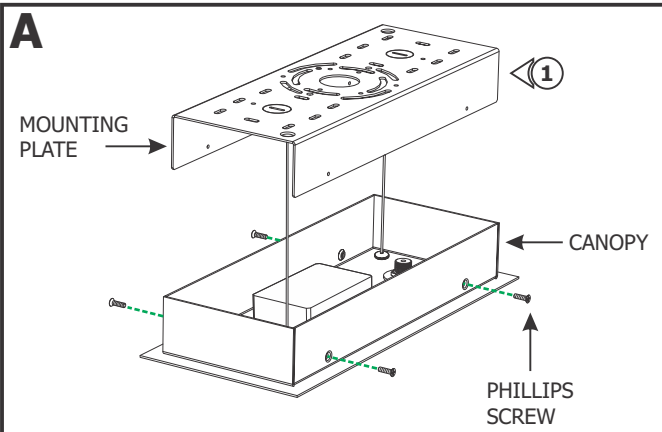
IMPORTANT INFORMATION

- This product is ETL listed.
- This product is suitable for indoor locations.
- This instruction shows a typical instruction.

SAVE THESE INSTRUCTIONS!



Section One: Install the Canopy

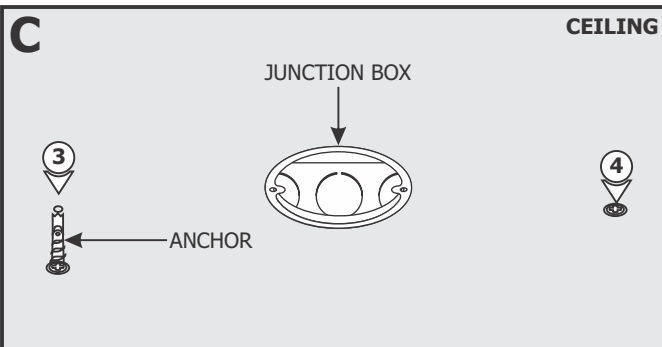
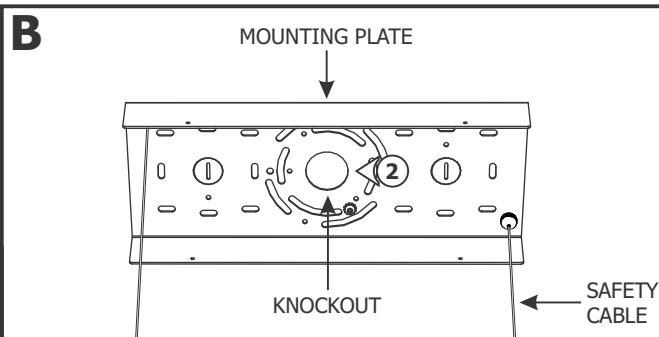


NOTE: Before beginning any electrical work, ensure that power to the electrical box is turned off.

NOTE: It is recommended more than one person to assist in this installation.

- 1:** Remove the four Phillips screws from the canopy to remove the mounting plate.

- 2:** Select the appropriate knockout on the mounting plate and remove it using a flathead screwdriver or other appropriate tool.



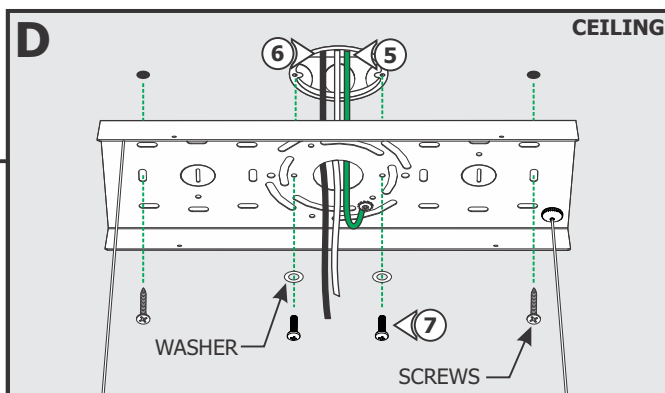
- 3:** Align the mounting plate holes with the junction box holes and mark one point on each side of the junction box through the mounting plate holes onto the ceiling. These points are used for the anchors.

- 4:** Tap the anchors onto the marked points up to the threaded portion with a hammer. Then screw in the threaded portion with a Phillips screw driver.

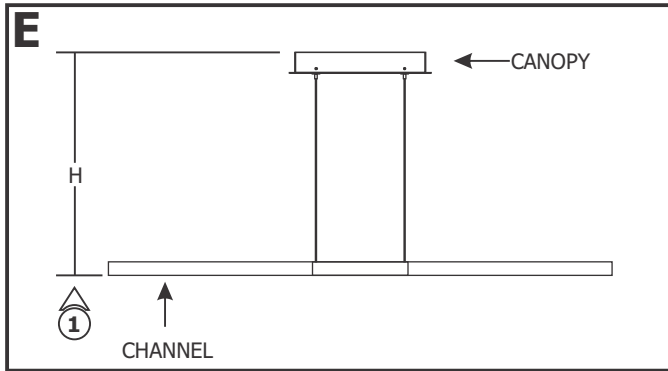
- 5:** Make sure the mounting plate is grounded in accordance with local electrical codes.

- 6:** Feed the 120VAC power wires through the mounting plate knockout.

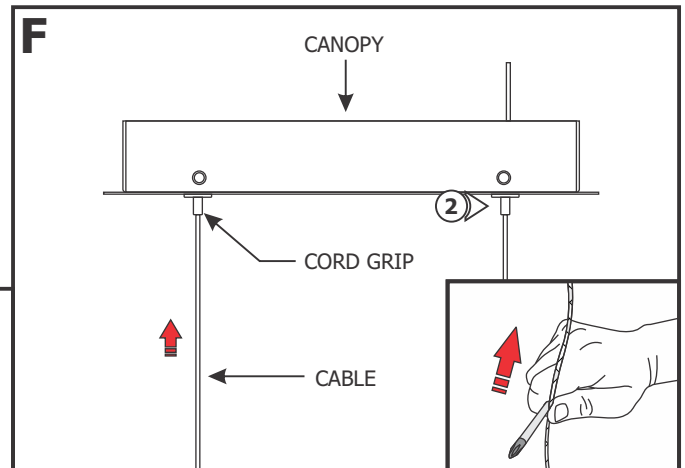
- 7:** Secure the mounting plate to the junction box and anchors using the provided screws and washers.



Section Two: Power the Fixture

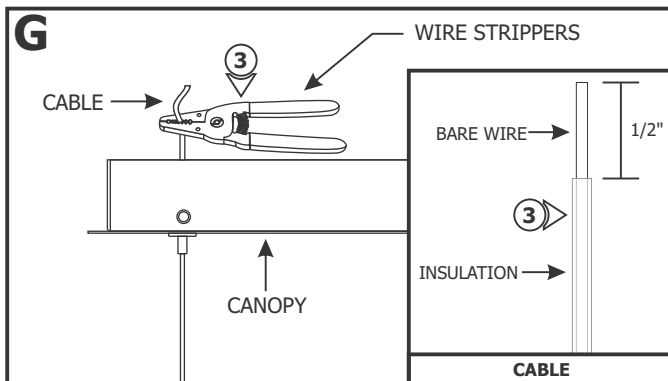


1: Determine the fixture height (H), from the bottom of the channel to the top of the canopy.

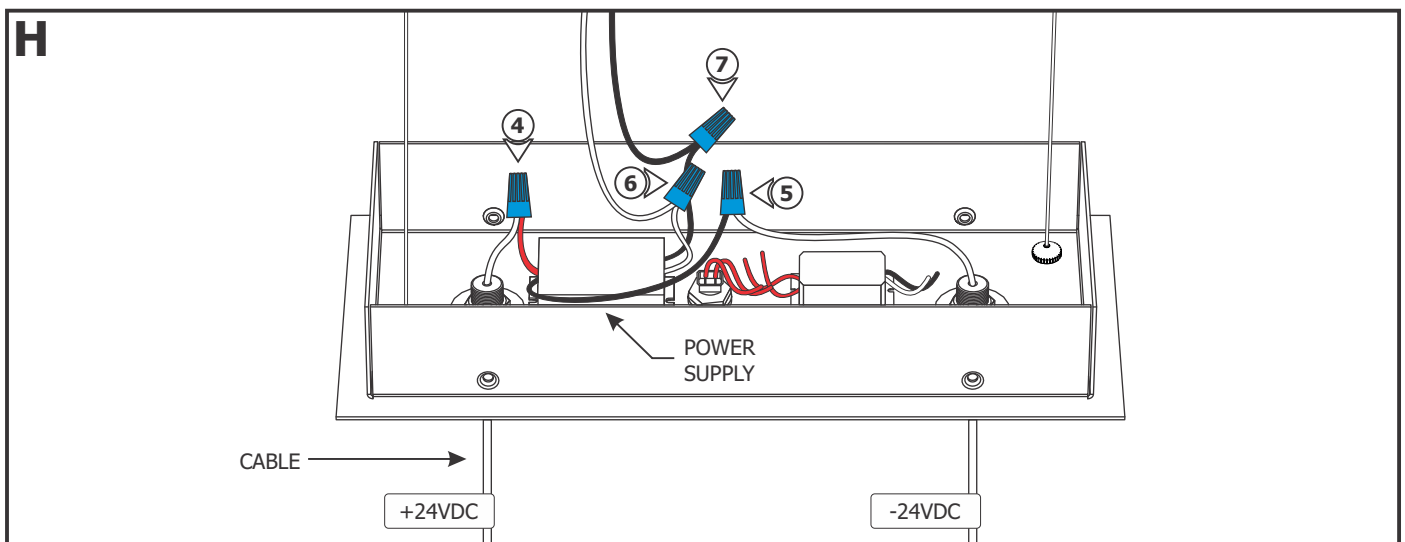


2: Push each cable through the cord grips on the canopy. Push the cord grip to release the cable.

NOTE: If cable is curled or kinked, straighten by holding between the shaft of a screwdriver and thumb and pulling the cable through.



3: Use the #16 gauge hole of the AWG wire strippers to strip 1/2" of the outer plastic insulation from the cables.

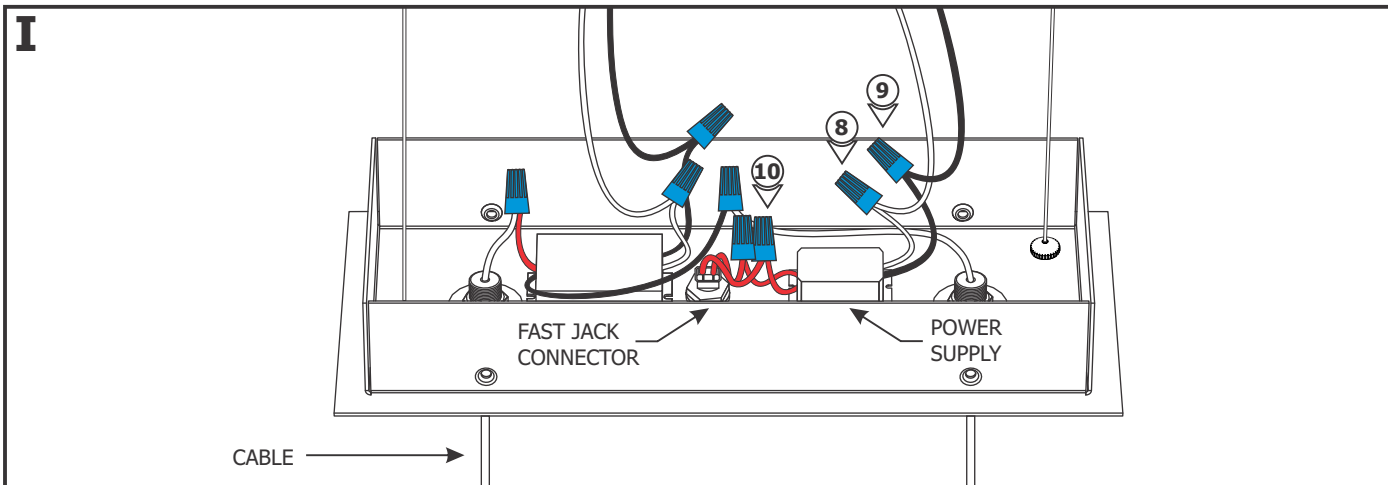


4: Connect the bare wire from the +24VDC cable to the red power supply wire using a wire nut.

5: Connect the bare wire from the -24VDC cable to the black power supply wire using a wire nut.

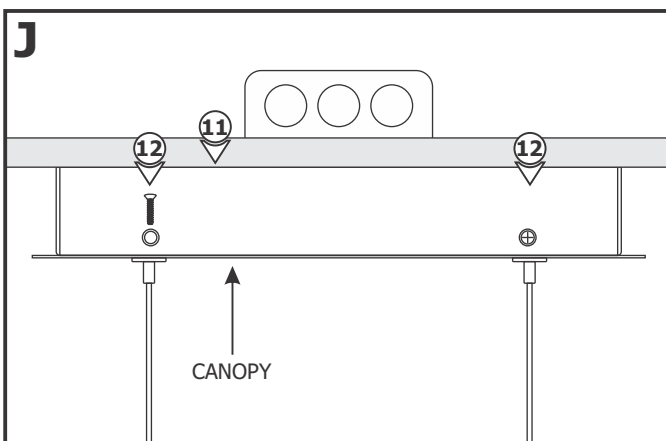
6: Connect the 120V white power supply wire to the 120VAC neutral power wire with a wire nut.

7: Connect the 120V black power supply wire to the 120VAC line power wire with a wire nut.



FOR MODELS CONFIGURED WITH FAST JACK PORT:

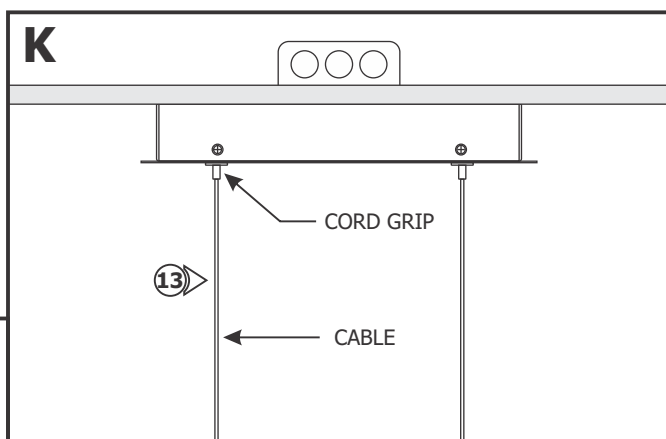
- 8:** Connect the neutral power wire from a second 120VAC circuit to the 120V white wire of the other power supply with a wire nut.
- 9:** Connect the line power wire from the same 120VAC circuit to the 120V black wire of the same power supply with a wire nut.
- 10:** Connect each low voltage red wire from the power supply to each red wire of the Fast Jack connector using a wire nut.



11: Place all the wires and wire nut connections inside the canopy.

12: Align and secure the canopy to the mounting plate by tightening the four Phillips head screws.

13: To make any adjustments to the fixture height, push the cord grips to slide the fixture up and down until the desired height is achieved. Release the cord grips to lock the cables in place.



Wiring Diagram

