



1718 W. Fullerton Chicago, IL 60614
 Ph: 773.770.1195 • Fax: 773.935.5613
 www.PureEdgeLighting.com • info@PureEdgeLighting.com
 © 2016 PureEdge Lighting. All Rights Reserved.

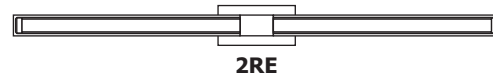
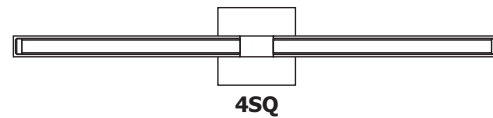
Installation Instructions for Tie Stix Wall 2-Light Adjustable Tunable White with Remote Power

TXW2AR-__-2K4K-__

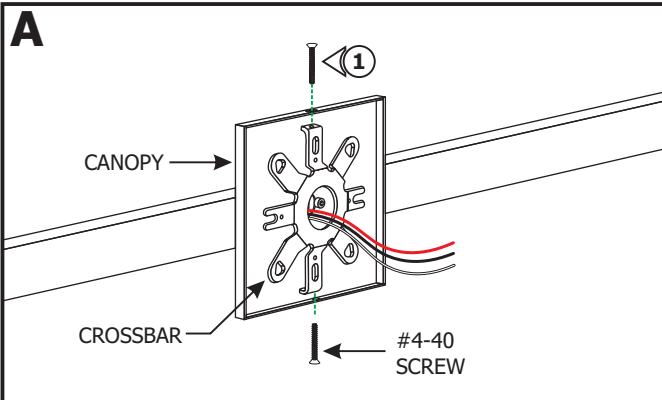
IMPORTANT INFORMATION

- This product is ETL listed.
- This instruction shows a typical installation.
- This product is wall mount only.
- The 4SQ version mounts to a standard junction box with plaster ring or octagon box.
- The 1RE version mounts to the provided Slim Profile Junction Box.
- The 2RE version mounts to a single gang box.

SAVE THESE INSTRUCTIONS!



Section One: 4SQ Version

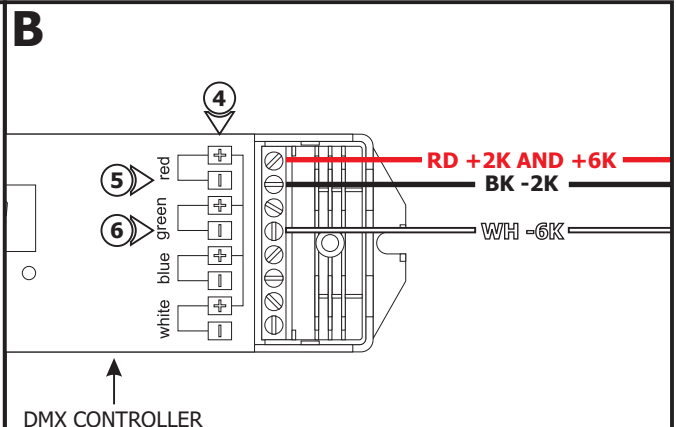


NOTE: Before beginning any electrical work, ensure that the power to the junction box is off.

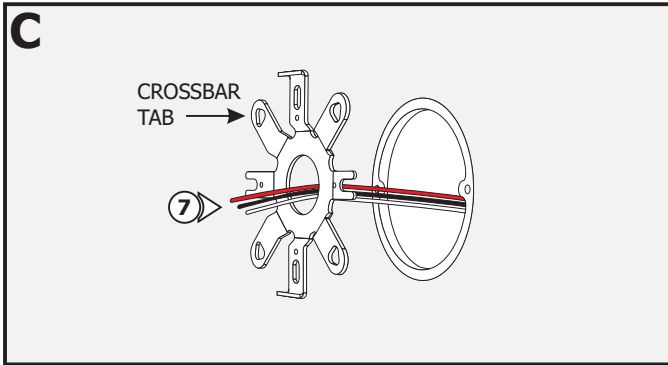
- 1:** Remove the two #4-40 screws from the canopy using a 1/16" Allen wrench to remove the crossbar.

NOTE: Omit steps 2 through 6 if using dimming module for two channel controls. Refer to wiring diagram on page 6.

- Use the "Low Voltage Wire Size Chart" on Page 2 to determine proper wire size connecting to the DMX controller terminals.
- Run the proper size red, black and white wires from the fixture to the power supply enclosure.
- Connect the red fixture wire to the red "+" DMX terminal and tighten the screw.
- Connect the black fixture wire to the red "-" DMX terminal and tighten the screw.
- Connect the white fixture wire to the green "-" DMX terminal and tighten the screw.

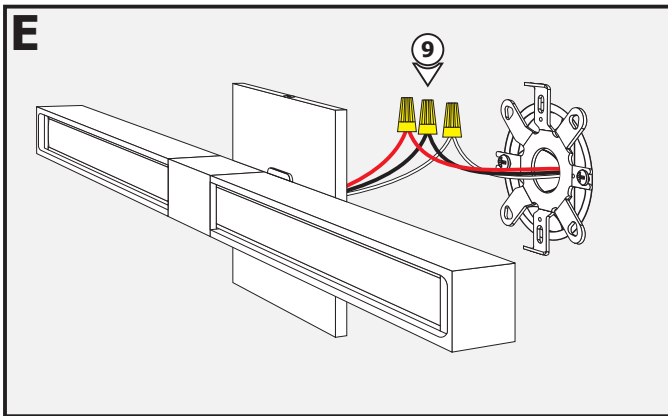
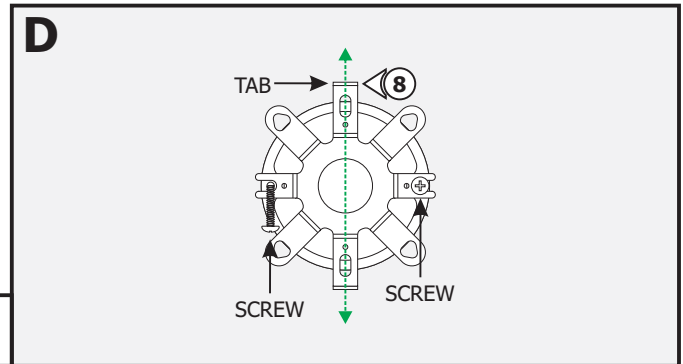


100W, 24VAC LOW VOLTAGE WIRE SIZE CHART					
3% VOLTAGE DROP	WIRE LENGTH IN FT	UP TO 31FT	32FT-49FT	50FT-81FT	82FT-124FT
	WIRE SIZE	14 AWG	12 AWG	10 AWG	8 AWG
	VOLTAGE AT END OF THE WIRE	23.28 VAC	23.29 VAC	23.28 VAC	23.28 VAC



7: Feed the wires coming from the DMX controller or dimming module through the center hole of the crossbar. Refer to the instructions provided with the power supply.

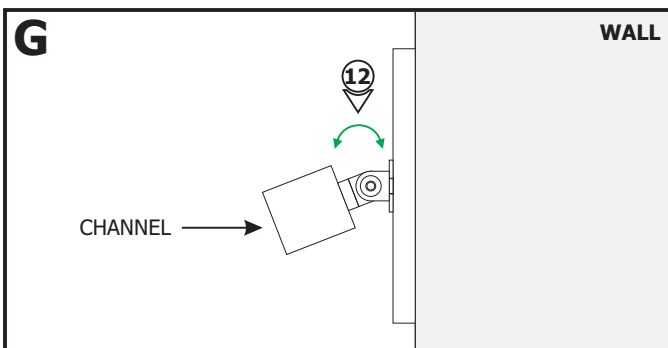
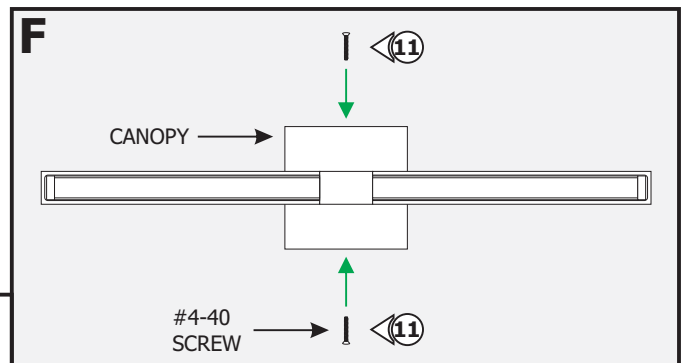
8: Align the crossbar tabs vertically and mount the crossbar to the junction box holes with the two #8-32 screws provided.



9: Refer to the wiring diagrams on pages 5 and 6 to connect the wires properly.

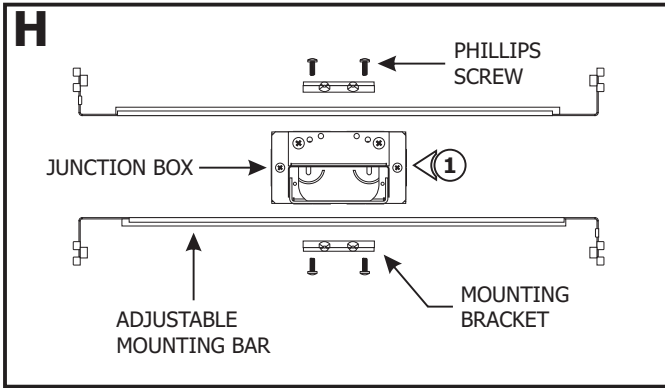
10: Place all the wires and wire connections inside the junction box.

11: Place the fixture against the crossbar and secure it with the provided #4-40 screws using a 1/16" Allen wrench.



12: If necessary, adjust the angle of the fixture by rotating the channel vertically.

Section Two: 1RE Version

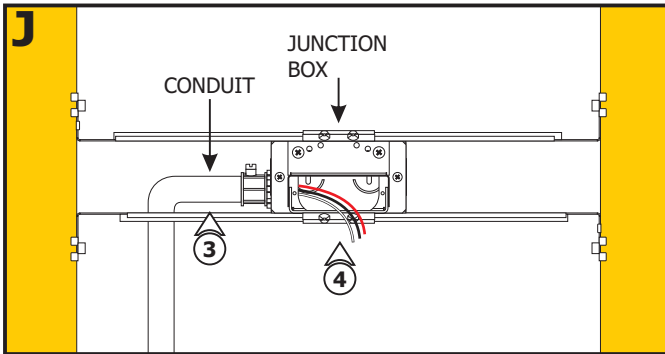
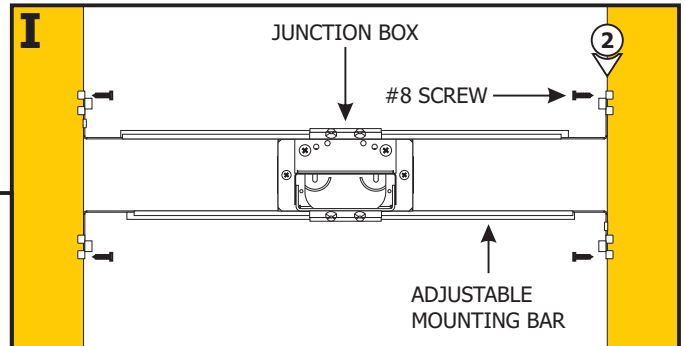


NOTE: Before beginning any electrical work, ensure that the power to the electrical box is off.

- 1:** Mount each adjustable mounting bar to one side of the junction box and secure them with the provided mounting brackets and two Phillips screws.

NOTE: Adjustable mounting bars mount to studs that are spaced 14.5" to 25" apart.

- 2:** Place the adjustable mounting bar tabs between the studs. Secure the adjustable bars to the studs with the #8 screws.



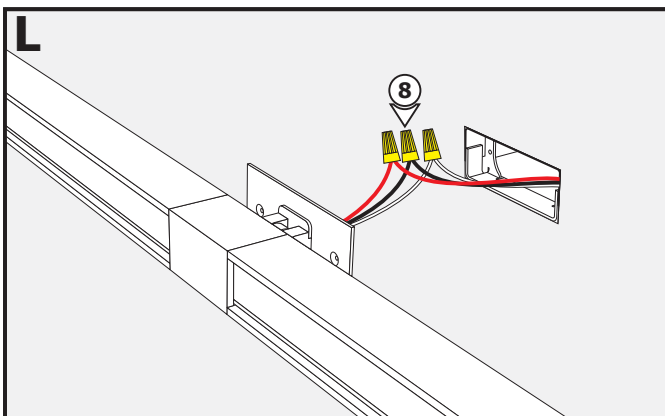
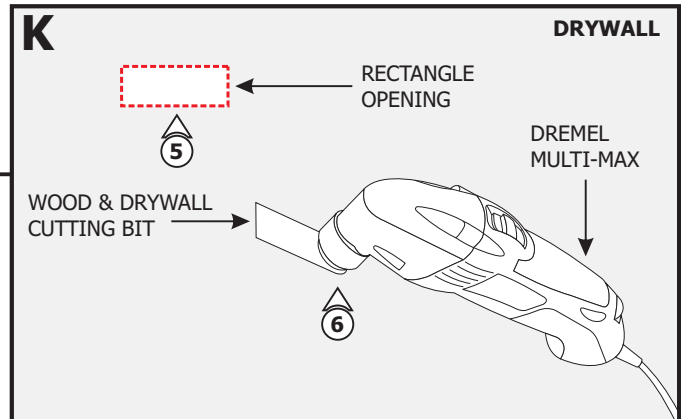
- 3:** Remove a knockout to install a conduit into the junction box. Install conduit(s) (if required by local electrical code).

- 4:** Run the wires coming from the DMX controller (refer to Drawing B, steps 2 through 6 on page 1) or dimming module for two channel controls to the junction box.

- 5:** Mark the rectangular junction box opening shape on the drywall where the junction box will be located.

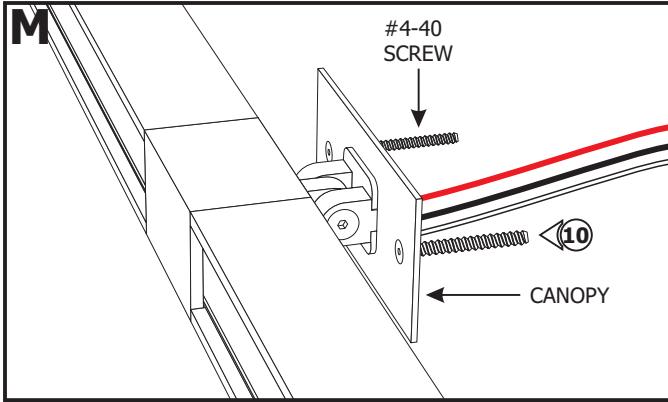
- 6:** Cut out the marked rectangle opening, using a "Dremel Multi-Max" with the "wood & drywall" cutting bit.

- 7:** Install the drywall and plaster around the junction box. Sand and then paint.

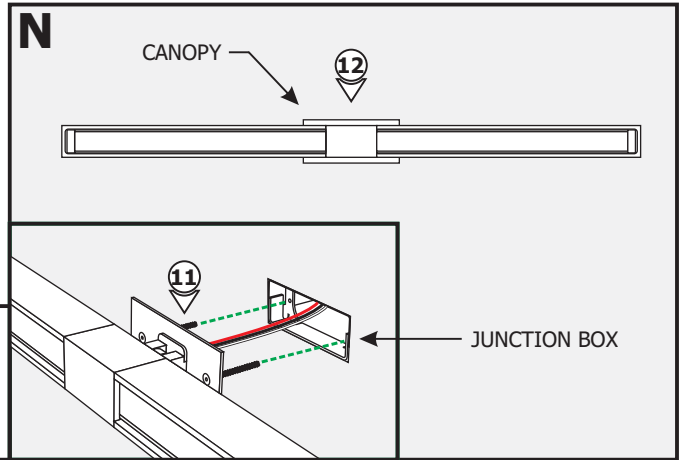


- 8:** Refer to the wiring diagrams on pages 5 and 6 to connect the wires properly.

- 9:** Place all the wires and wire connections inside the junction box.

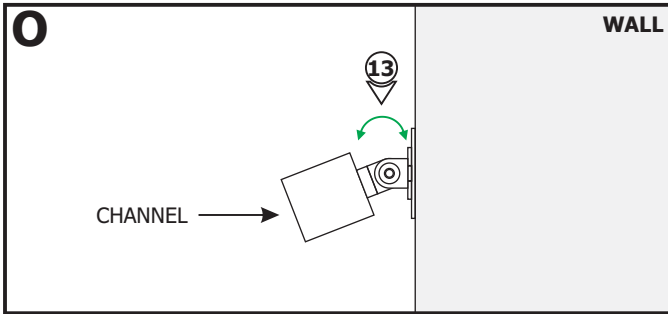


10: Insert the two provided #4-40 screws through the canopy holes.



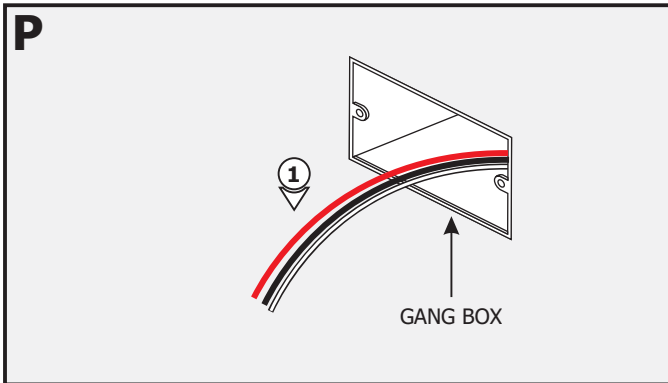
11: Align the screws on the canopy with the junction box holes.

12: Secure the fixture to the junction box by tightening the two #4-40 screws using a 1/16" Allen wrench.



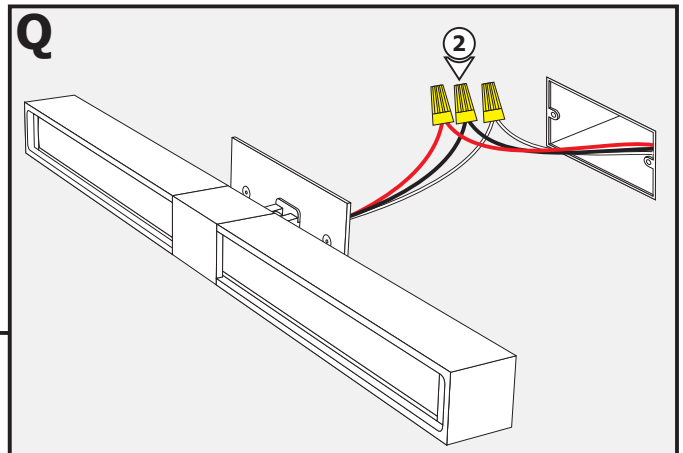
13: If necessary, adjust the angle of the fixture by rotating the channel vertically.

Section Three: 2RE Version



NOTE: Ensure single gang box is oriented horizontally.

1: Run the wires coming from the DMX controller (refer to Drawing B, steps 2 through 7 on page 1) or alternative two dimmers to the gang box.



2: Refer to the wiring diagrams on pages 5 and 6 to connect the wires properly.

3: Place all the wires and wire connections inside the gang box.

Tunable White: LED Power Supply with two Channel Controls, for Intensity and Color Temperature

