



### DESCRIPTION

Sail LED Surface Mounted Rectangular Mirror features LEDs in a Tunable White 2000K-6500K, set behind a rectangular inset of frosted glass, projecting an even glow of light. Tunable White requires a DMX wall controller and power supply in mirror. ADA compliant.

### DIFFUSER

Frosted Glass

### BODY FINISH

Mirror

### LAMP

- 3575 Lumens, Very Warm White 2700K, 92+ CRI LEDs
- LED Lamps consume 69 Watts; 76 Total Watts

### INPUT VOLTAGE

120-277 VAC

### AVERAGE LAMP LIFE

50,000 hours

### DIMMING

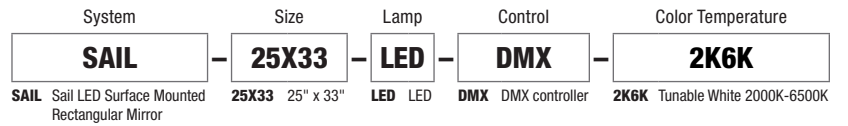
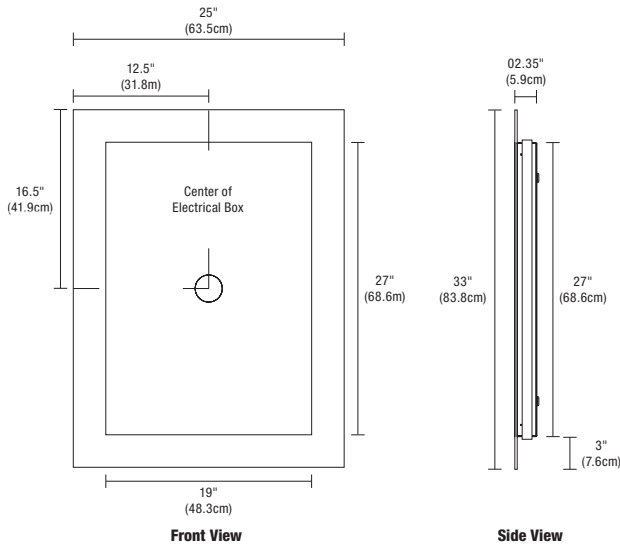
- Color Changing (**DMX**)

### DIMENSIONS

33" x 25" x 2.35"

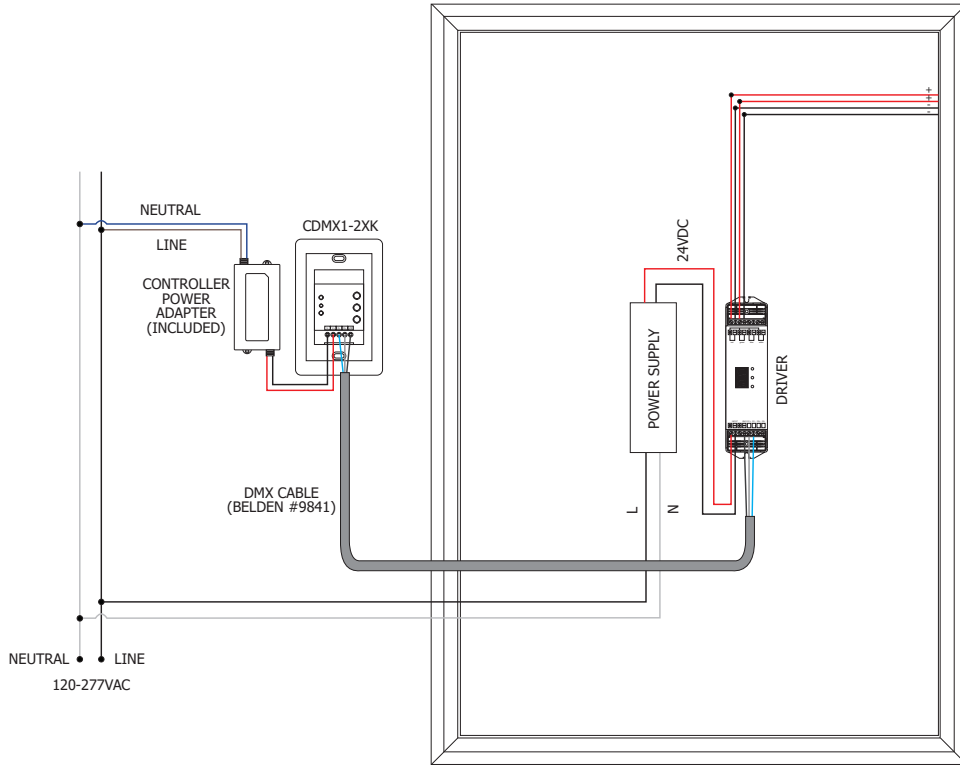
### WEIGHT

28 lbs (12.7 kg)



PROJECT		FIXTURE TYPE		DATE	
---------	--	--------------	--	------	--

**Wiring Diagram:** Wiring diagram for DMX

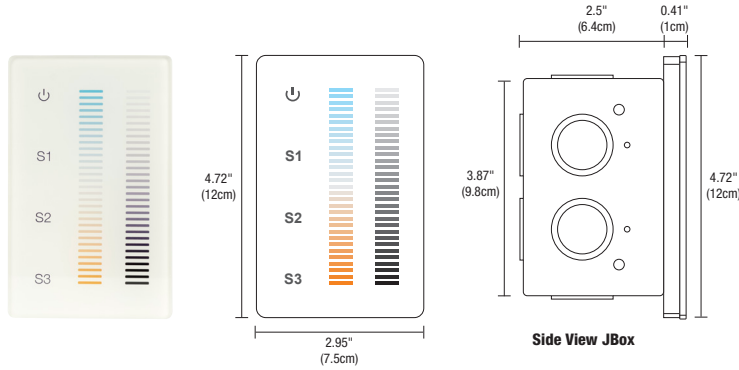


PROJECT	FIXTURE TYPE	DATE

# TUNABLE WHITE DMX CONTROLLER AND POWER SUPPLIES

24VDC INDOOR CONSTANT VOLTAGE POWER SUPPLIES WITH DRIVERS

REV 06.30.21



**DESCRIPTION:**

The Tunable White Touch Controller offers fast and accurate Color Temperature adjustment and the ability to regulate the Brightness Independently. The modern Glass faceplate features illuminated indicators, and a back-lit night light that softly illuminates the controller when powered off. Designed for Tunable White, and dual-color LED installations within a single zone. The two Vertical Touch sliders are precise and sensitive, allowing you to fine-tune your perfect Color Temperature at any point between **2000K** (Sunset) to **6500K** (Daylight White) while selecting over 250 levels of Brightness in a smooth, uninterrupted transition. Create Thousands of White Color Combinations while maintaining even Brightness and overall saturation. Easily save three pre-set scenes for different times of the day. Support health, performance, and general well-being using Human-Centric lighting by fine-tuning the biological effects that light has on the circadian cycle using the latest in LED technology. Includes a power adapter that fits behind the controller within a standard junction box and fits inside a standard single-gang receptacle (not for use in a multi-gang box). Use with an insulated, 24 AWG stranded, tinned copper wire (Belden #9841). Power Supplies are Sold Separately. Includes a 5 year pro-rated warranty.

**APPLICATIONS:**

Indoor

**OUTPUT SIGNAL:**

USITT DMX 512 (1990)

**INSTALLATION:**

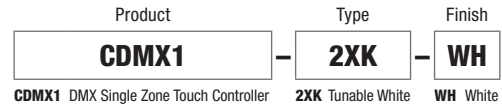
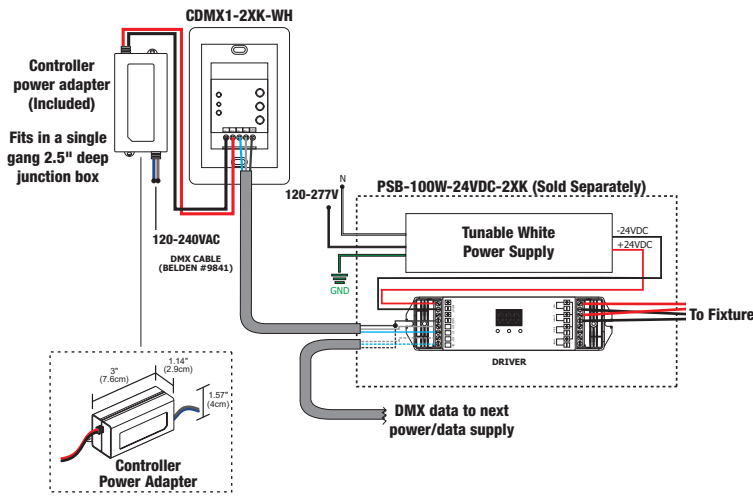
Fits in a single gang 2.5" deep junction box. Not compatible with multi-gang boxes.

**LABELS:**

ROHS, FCC, Damp Location, ETL/UL

**POWER INPUT:**

120-240VAC

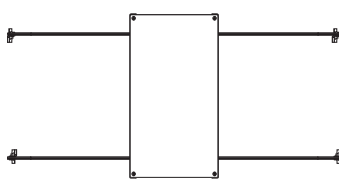


**COLOR CHANGING (DMX) POWER SUPPLIES**

ORDERING CODE	PSB-100W-24VDC-2XK	PSB-2X100W-24VDC-2XK	PSB-3X100W-24VDC-2XK	PSB-4X100W-24VDC-2XK
<b>MAXIMUM LOAD OF LED STRIP LENGTH</b>	100W 5 WATTS - 20FT MAX. 10 WATTS - 10FT MAX.	2X100W 5 WATTS 2 X 20FT MAX. 10 WATTS - 2 X 10FT MAX.	3X100W 5 WATTS 3 X 20FT MAX. 10 WATTS - 3 X 10FT MAX.	4X100W 5 WATTS 4 X 20FT MAX. 10 WATTS - 4 X 10FT MAX.
<b>INPUT VOLTAGE</b>	120-277VAC	120-277VAC	120-277VAC	120-277VAC
<b>OUTPUT VOLTAGE</b>	24VDC	24VDC	24VDC	24VDC
<b>DIMENSIONS</b>	12.4" X 6.48" X 2.18"	14" X 10" X 3"	17" X 10" X 3"	17" X 10" X 3"
<b>CLASSIFICATION</b>	CLASS 2	CLASS 2	CLASS 2	CLASS 2
<b>T-BAR MOUNTING</b>	PSB-100W-24VDC-2XK-TB	PSB-2X100W-24VDC-2XK-TB	PSB-3X100W-24VDC-2XK-TB	PSB-4X100W-24VDC-2XK-TB
<b>IN-WALL MOUNTING</b>	PSB-100W-24VDC-2XK-IW	NA	NA	NA
<b>DMX TUNABLE WHITE DIMMING &amp; CONTROLS</b>				
<b>TUNABLE WHITE TOUCH CONTROLLER (CDMX1-2XK)</b>	•	•	•	•

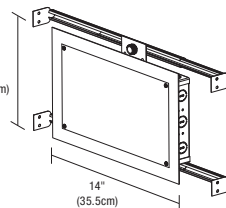
- Flicker free dimming
- Aluminum casing for optimal heat dissipation
- Isolated output power per NEC and UL safety requirements
- UL & ETL recognized/ listed, meets UL 8750, 1310 requirements

- Auto-reset; short circuit, overload and thermal protection
- Class 2 power supply
- Efficient, High power factor > 0.90



**T-BAR Mounting Kit:** Includes power supply, box cover, and T-bar hangers for installing Junction Box above ceiling with in easy reach. Comes with 4ft of 14 gauge pair Teflon cables with quick secure connectors.

**Ordering Codes:**  
 PSB-100W-24VDC-2XK-TB  
 PSB-2x100W-24VDC-2XK-TB  
 PSB-3x100W-24VDC-2XK-TB  
 PSB-4x100W-24VDC-2XK-TB



**8.5" x 14" In-Wall Mounting Kit:** Includes power supply, box cover and stud hangers for installing Junction Box in wall. Select "IW" in the options section of compatible power supply ordering codes if an In-Wall Mounting Kit is needed.

**Ordering Codes:**  
 PSB-100W-24VDC-2XK-IW

PROJECT	FIXTURE TYPE	DATE
---------	--------------	------