



REVEAL WALL WASH 2

24VDC PLASTER-IN LED SYSTEM, TUNABLE WHITE



DESIGNED BY GREGORY KAY | MADE IN AMERICA | PATENT PENDING

REV 12.08.21



DESCRIPTION

Our New Generation of the The Reveal Wall Wash illuminates the wall from the top of the ceiling to the floor. Recessed within 5/8" drywall without the need for joist modification. The 24VDC low-voltage system uses PureEdge's superior designer-grade 95+ CRI LEDs rendering art and color in their truest forms while producing uniform brightness. Using the latest in LED technology, Dynamic Tunable White 2000K-6500K **(2K6K)** or 2700K-6500K **(27K6)** grants independent control and adjustment of color temperature and intensity from 2000K (Sunset) through 6500K (Day Light White). **2K6K**, Ideal for both residential including, dining rooms, bedrooms, bathrooms and commercial environments **(27K6)** including hospitality, healthcare, retail, education and more. Human-Centric lighting promotes, focus, performance, mood, and overall well-being by fine-tuning the emotional effects that light has on the circadian cycle. Installation is easy. Simply mount the slim profile, plaster-in extrusions within the profile of 5/8" or thicker drywall 24" away from the projected wall, position our LED soft-strip within the channel. Connects to the low voltage power supply and then plaster over the edges and paint to match the surrounding surface. The system is sold in 1' increments up to 20' and can be cut in the field to any length. Continuing to redefine the relationship between lighting and interior design, Reveal Wall Wash invokes dramatic yet refined illumination by highlighting art and creating depth of architectural features. Remote Power Supply is required and ordered separately. Coordinate installation with electrician and drywall contractors. Includes a 5 year pro-rated warranty. For custom quotes, email our design team: design@PureEdgeLighting.com.

DESIGN NOTE

Reveal Wall Wash is an ideal wall washing solution for any space, highlighting art and creating depth within architectural features. Multiple runs of channel mount seamlessly together and may wrap inside corners to wash surrounding walls with uniform controlled illumination up to 95+ CRI.

FINISHES



Satin Aluminum
SA

White
WH

LAMPING

- Tunable White: 2000K-6500K **(2K6K)** or 2700K-6500K **(27K6)** grants independent control for adjusting color temperature and intensity
- Power Consumed 5, 7 or 10 watts per foot
- 50,000 Hour Lamp Life

REMOTE POWER SUPPLIES*, DIMMERS & CONTROLS (SOLD SEPARATELY)

24VDC, Class 2 wiring

- **0-10V**: Requires two dimmers, one for intensity and one for color temperature
- **DMX Dynamic Color Changing**: Must be used with PureEdge **Controllers**

* In-Wall Mounting and drop ceiling Kits available for select power supplies

APPLICATIONS

Indoor damp or dry locations only. Reveal Wall Wash is ideal in Residential, Commercial, Retail, and Hospitality Environments

INCLUDED COMPONENTS

Junction Box, Adjustable Mounting Bars, Reveal Wall Wash Channel(s), Power Feed End Cap, Junction Box Cover, Dead End Cap, Take-Up Box, Drywall Screws, LED Soft Strip, and Lens(es)

COMPLIANCE

ETL, Class 2, Damp Location, Made in USA. **1-hour fire rating uses Two pieces of Type X Gypsum board, for 2-Hour fire rating use Three pieces of Type X Gypsum board.**

System	Watts Per Foot	Length in Feet	Color Temperature	Reflector Finish
RVWW2	5WDC	20FT	2K6K	WH
RVWW2 Reveal Wall Wash	5WDC 4.4 Watts 7WDC 7.3 Watts 10WDC 9.6 Watts	1-20FT 5WDC 1-12FT 7WDC 1-10FT 10WDC	2K6K Tunable White 2000K-6500K 27K6 Tunable White 2700K-6500K	SA Satin Aluminum WH White

PROJECT	FIXTURE TYPE	DATE
---------	--------------	------



REVEAL WALL WASH 2

24VDC PLASTER-IN LED SYSTEM, TUNABLE WHITE



LAMP DATA Lamp Data for Glide Wood Downlight

REV 12.08.21

RVVW2																												
DESCRIPTION		Wall Wash																										
WATTS PER FOOT		2K6K - 5W (4.6watts)						2K6K - 7W (7.3 watts)						2K6K - 10W (9.6watts)														
COLOR TEMPERATURE		20K	22K	24K	27K	30K	35K	40K	57K	65K	20K	22K	24K	27K	30K	35K	40K	57K	65K	20K	22K	24K	27K	30K	35K	40K	57K	65K
LUMENS PER FOOT (lm/ft)		225	236	248	259	283	295	306	291	282	308	334	359	404	428	440	413	422	408	392	432	471	550	573	586	521	553	535
LUMENS PER WATT (lm/w)		56	51	54	56	62	64	76	73	51	53	51	53	56	62	64	70	66.5	59	49	51	53	57	62	64	65	60	67
CRI		83+	83+	92+	92+	92+	94+	94+	93+	93+	83+	83+	92+	92+	92+	94+	94+	93+	93+	83+	83+	92+	92+	92+	94+	94+	93+	93+

RVVW2																								
DESCRIPTION		Wall Wash																						
WATTS PER FOOT		27K6 - 5W (4.6watts)						27K6 - 7W (7.3 watts)						27K6 - 10W (9.6watts)										
COLOR TEMPERATURE		27K	30K	35K	40K	45K	57K	65K	27K	30K	35K	40K	45K	57K	65K	27K	30K	35K	40K	45K	57K	65K		
LUMENS PER FOOT (lm/ft)		281	289	297	306	294	291	282	406	419	431	443	426	422	408	534	549	565	581	559	553	535		
LUMENS PER WATT (lm/w)		71	72	72	71	72	73	51	69	66	67	67	67	66	59	67	60	61	63	61	60	67		
CRI		93+	93+	94+	94+	94+	93+	93+	93+	93+	94+	94+	94+	93+	93+	93+	93+	94+	94+	94+	94+	94+	93+	93+

96W, 24VDC LOW VOLTAGE WIRE SIZE CHART: 3% VOLTAGE DROP

WIRE LENGTH (FT)	UP TO 33FT	34FT-52FT	53FT-86FT	87FT-130FT
WIRE SIZE	14 AWG	12 AWG	13 AWG	8 AWG
VOLTAGE AT END OF WIRE	23.28VDC	23.29VDC	23.28VDC	23.28VDC

5 WATTS PER FOOT - DYNAMIC TUNABLE WHITE

LENGTH IN FEET	WATTS	LENGTH IN FEET	WATTS	LENGTH IN FEET	WATTS	LENGTH IN FEET	WATTS
1	5	6	29	11	53	16	77
2	10	7	34	12	58	17	82
3	16	8	38	13	63	18	87
4	20	9	43	14	67	19	91
5	24	10	48	15	72	20	96

10 WATTS PER FOOT - DYNAMIC TUNABLE WHITE

LENGTH IN FEET	WATTS	LENGTH IN FEET	WATTS	LENGTH IN FEET	WATTS	LENGTH IN FEET	WATTS
1	10	4	40	7	70	10	100
2	20	5	50	8	80		
3	30	6	60	9	90		

LENGTH CHART

ORDERING CODE (NOMINAL SIZE)	5W		10W	
	WITH TWO DIMMERS: YOU NEED TWO UNI DRIVER POWER SUPPLIES, ONE FOR EACH CCT (SEE PAGES BELOW)	DMX POWER AND CDMX CONTROLLER: YOU NEED ONE POWER SUPPLY ONLY (SEE PAGES BELOW)	WITH TWO DIMMERS: YOU NEED TWO UNI DRIVER POWER SUPPLIES, ONE FOR EACH CCT (SEE PAGES BELOW)	DMX POWER AND CDMX CONTROLLER: YOU NEED ONE POWER SUPPLY ONLY (SEE PAGES BELOW)
TUNABLE @ 5 WATTS PER FT	POWER SUPPLY	TUNABLE @ 10 WATTS PER FT	POWER SUPPLY	
12	5	PSB-100W-24VDC-2XK	10	PSB-100W-24VDC-2XK
24	10	PSB-100W-24VDC-2XK	20	PSB-100W-24VDC-2XK
36	15	PSB-100W-24VDC-2XK	30	PSB-100W-24VDC-2XK
48	20	PSB-100W-24VDC-2XK	40	PSB-100W-24VDC-2XK
60	25	PSB-100W-24VDC-2XK	50	PSB-100W-24VDC-2XK
72	30	PSB-100W-24VDC-2XK	60	PSB-100W-24VDC-2XK
84*	35	PSB-100W-24VDC-2XK	70	PSB-100W-24VDC-2XK
96	40	PSB-100W-24VDC-2XK	80	PSB-100W-24VDC-2XK
108	45	PSB-100W-24VDC-2XK	90	PSB-100W-24VDC-2XK
120**	50	PSB-100W-24VDC-2XK	100	PSB-100W-24VDC-2XK
132	55	PSB-100W-24VDC-2XK		
144	60	PSB-100W-24VDC-2XK		
156	65	PSB-100W-24VDC-2XK		
161	67	PSB-100W-24VDC-2XK		
168	70	PSB-100W-24VDC-2XK		
180	75	PSB-100W-24VDC-2XK		
192	80	PSB-100W-24VDC-2XK		
204	85	PSB-100W-24VDC-2XK		
216	90	PSB-100W-24VDC-2XK		
228	95	PSB-100W-24VDC-2XK		
240	100	PSB-100W-24VDC-2XK		

*Maximum Chrome Length **Maximum Shipping Length

PROJECT	FIXTURE TYPE	DATE
---------	--------------	------



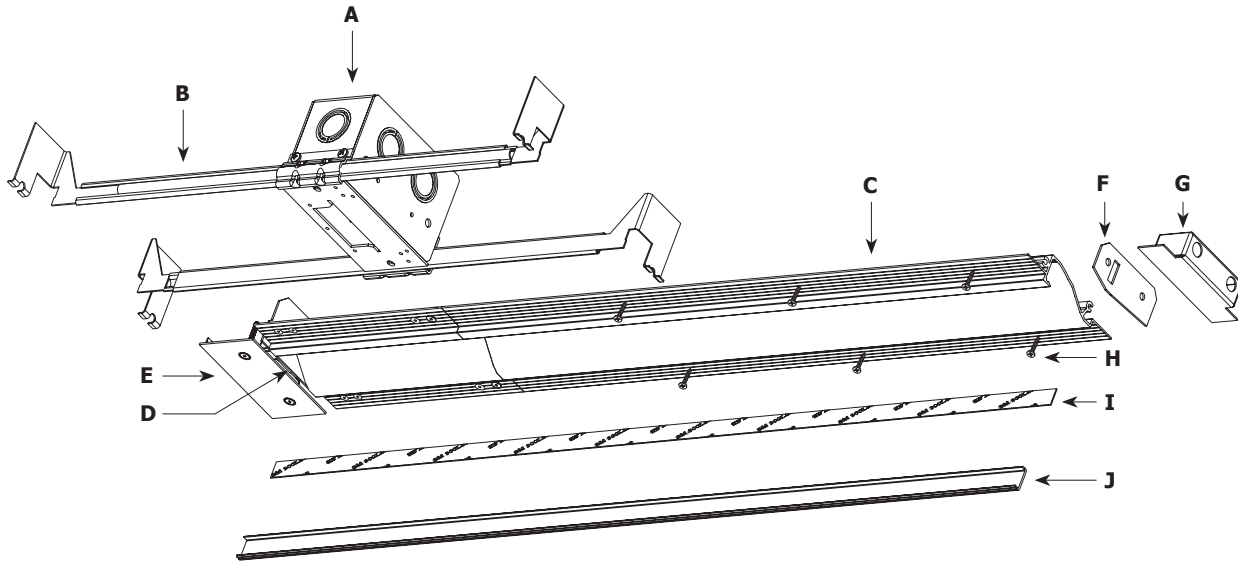
REVEAL WALL WASH 2

24VDC PLASTER-IN LED SYSTEM, TUNABLE WHITE



REV 12.08.21

INCLUDED COMPONENTS



A. JUNCTION BOX

Mounts behind drywall with Adjustable Mounting Bars and includes a drywall template for accurate installation. Low Voltage 24VDC wires from Remote Power Supply connect to LED wires inside box. Junction Box opening is concealed with the Reveal Wall Wash Junction Box cover and is required at the beginning of each run.

B. ADJUSTABLE MOUNTING BARS

Provide flexibility for mounting in a variety of spaces.

C. REVEAL WALL WASH CHANNEL

5/8" deep extrusion houses a single row of Commercial and Designer Grade High CRI 95+ LED Soft Strip.

D. POWER FEED END CAP

Provides a connection area for 24VDC wires at beginning of run where LED Soft Strip enters channel.

E. JUNCTION BOX COVER

Conceals Junction Box opening. Required at the beginning of each run.

F. DEAD END CAP PLATE

Provides a finished look and prevents light leak at feed-end of run where LED Soft Strip exits channel.

G. TAKE-UP BOX

Prevents dark spots at end of run by tucking excess LED Soft Strip safely behind wall.

H. DRYWALL SCREWS

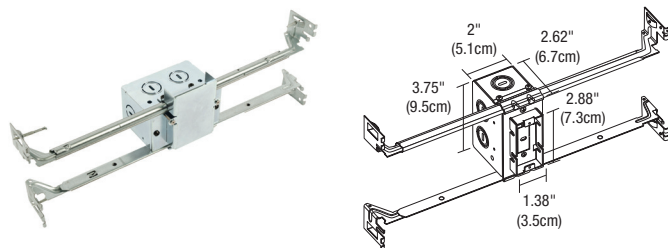
Secure channel to drywall and studs/joists.

I. LED SOFT STRIP

(Back Side shown) Designer Grade High CRI 95+ LEDs Soft Strip. See lamp data on for additional details.

J. LENS

0.74" wide diffused lens projects a clean line of light without LED dots.



JUNCTION BOX ROUGH-IN COMPONENT

One Junction Box is included with Reveal Wall Wash. Order additional Junction Box separately to rough-in electrical wiring before drywall installation. Quick shipment available.

System	Size	Component
RVWW2	1RE	JBOX
RVWW2 Reveal Wall Wash	1RE 1" Rectangle	JBOX Junction Box

PROJECT	FIXTURE TYPE	DATE
---------	--------------	------



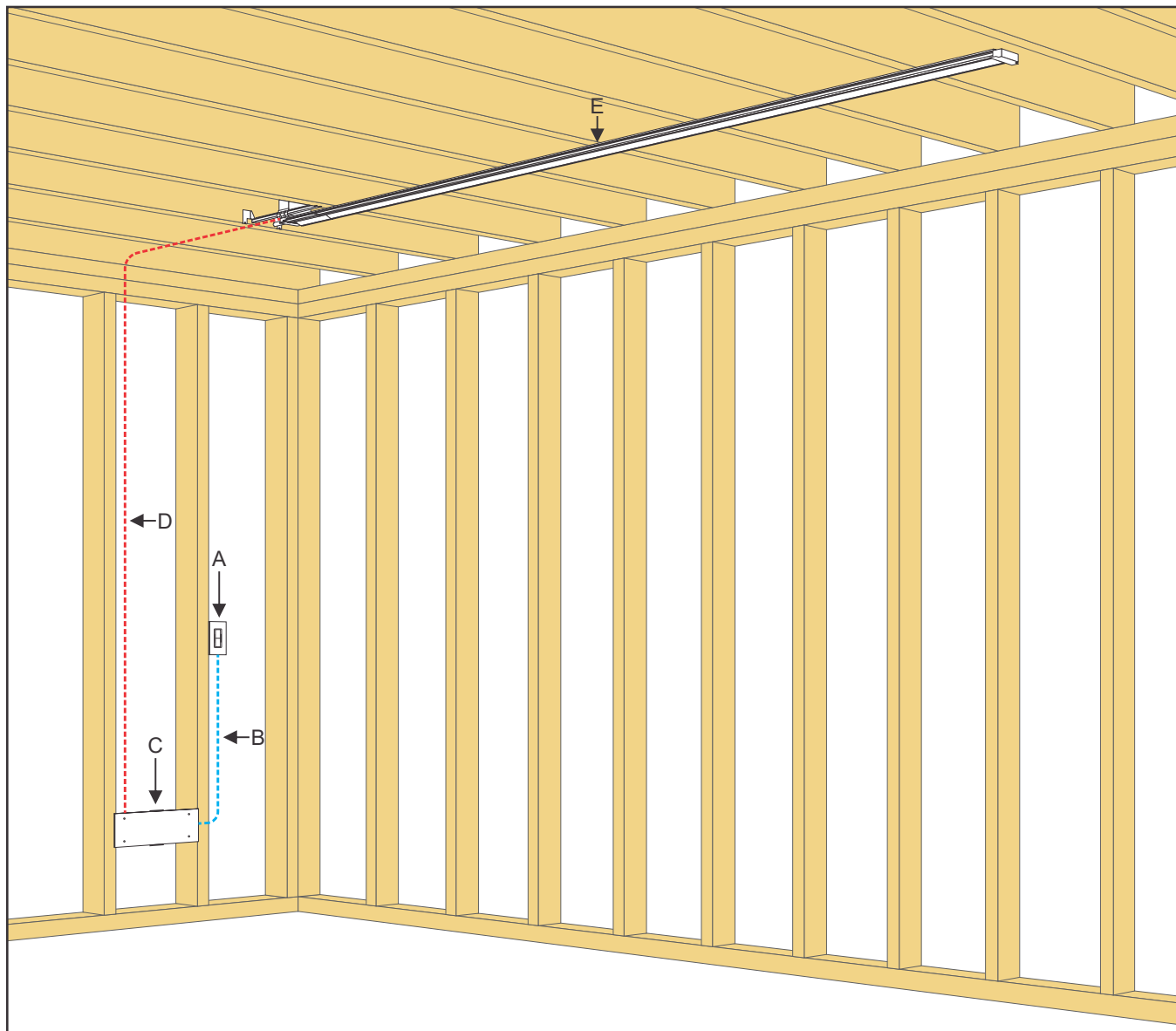
REVEAL WALL WASH 2

24VDC PLASTER-IN LED SYSTEM, TUNABLE WHITE

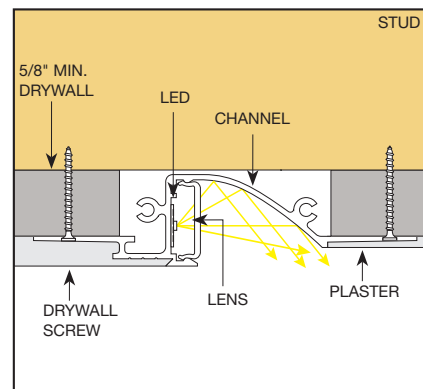


REV 12.08.21

INSTALLATION



- A. DIMMER OR SWITCH.
- B. 120VAC WIRING TO 120V/24VDC REMOTE POWER SUPPLY, FOR IN-WALL MOUNTING KIT.
- C. IN-WALL MOUNTING KIT.
- D. 24VDC, CLASS 2 WIRING.
- E. REVEAL WALL WASH SYSTEM.



■ Direction of Light

PROJECT	FIXTURE TYPE	DATE
---------	--------------	------

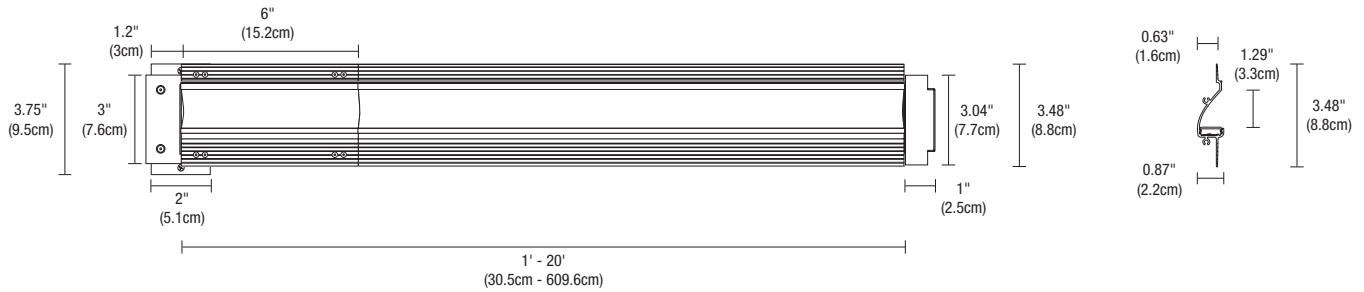


REVEAL WALL WASH 2

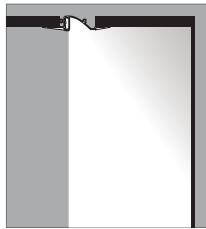
24VDC PLASTER-IN LED SYSTEM, TUNABLE WHITE



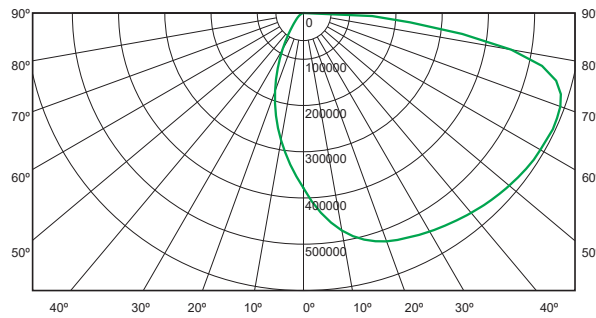
REV 12.08.21



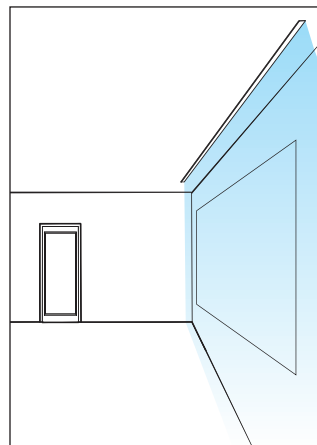
DIRECTION OF LIGHT



CANDLE POWER DISTRIBUTION



WALL WASH DIRECTION OF LIGHT SHOWN WITH 10 WATT, 3000K VERSION



FIXTURE MOUNTED 24" FROM WALL
7W 30K CHANNEL AND DIFFUSED LENS

	1'	2.5'	4'	5.5'	7'
1"	50	50	53	53	43
3"	90	90	104	97	81
6"	113	136	140	137	116
1'	122	138	140	137	113
18"	115	128	128	120	100
2'	100	113	113	109	86
3'	76	89	90	83	67
4'	62	72	70	68	56
5'	50	58	59	55	46
6'	41	46	47	44	38
7'	34	37	38	35	31
8'	27	30	30	30	26
9'	23	25	25	25	21

9' is the ground

PROJECT		FIXTURE TYPE		DATE	
---------	--	--------------	--	------	--

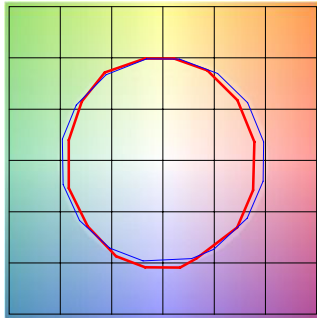
TM30 DATA

24VDC, PLASTER-IN LED SYSTEM, DYNAMIC TUNABLE WHITE

TM-30-15 DATA: The data below is for SS2C, SS5C, SS7C, and SS10C bare LED Soft Strips. Consistent color temperatures throughout a single strip and among multiple strips is possible through a 3 phase binning process in which each order is inspected with a color meter to ensure uniformity.

2000K ONLY (2K4K) | Rf: 84.3 | Rg: 96.9

Color Vector Graphic

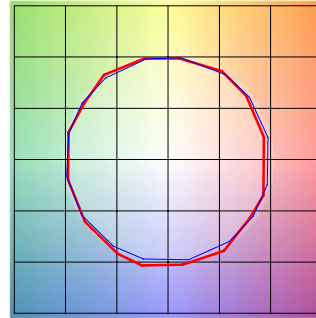


■ Test ■ Reference

HUE BIN	Rf	GRAPHIC SHIFTS %	
		CHROMA	HUE
1	80.3	-8.9%	1.7%
2	79.7	-7.0%	7.8%
3	78.9	-2.9%	10.0%
4	89.5	-0.5%	5.1%
5	94.4	0.7%	1.7%
6	92.1	2.4%	-0.3%
7	89.4	-2.4%	-5.9%
8	89.7	-6.4%	-0.2%
9	86.0	-4.9%	4.6%
10	81.8	-3.4%	9.3%
11	83.1	3.3%	9.7%
12	85.8	5.6%	3.3%
13	85.6	6.2%	-12.8%
14	61.7	-1.9%	-19.0%
15	79.7	-3.3%	-12.9%
16	78.1	-7.9%	-10.6%

3000K (2K4K) | Rf: 90.2 | Rg: 101.4

Color Vector Graphic

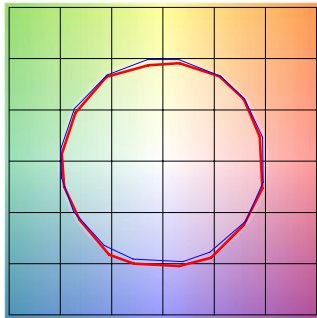


■ Test ■ Reference

HUE BIN	Rf	GRAPHIC SHIFTS %	
		CHROMA	HUE
1	90.9	-3.8%	1.3%
2	91.7	-1.9%	3.3%
3	88.7	0.7%	5.1%
4	92.4	-1.0%	0.7%
5	92.9	0.9%	1.7%
6	93.1	3.3%	-0.6%
7	91.0	-1.8%	-0.4%
8	97.0	0.2%	-1.1%
9	92.8	-0.5%	3.6%
10	88.3	1.0%	7.0%
11	87.1	3.8%	7.8%
12	87.6	6.5%	-0.3%
13	89.3	3.6%	-6.3%
14	86.1	4.5%	-9.1%
15	91.6	-1.9%	-3.1%
16	83.8	-1.5%	-11.2%

4000K ONLY (2K4K) | Rf: 89.6 | Rg: 99.1

Color Vector Graphic

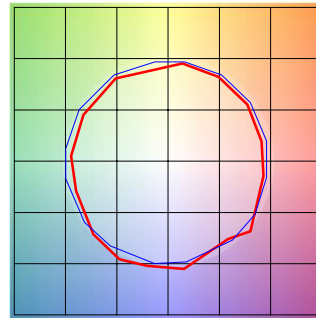


■ Test ■ Reference

HUE BIN	Rf	GRAPHIC SHIFTS %	
		CHROMA	HUE
1	91.3	-2.5%	1.0%
2	95.3	-0.5%	0.5%
3	94.3	-0.7%	1.1%
4	91.1	-3.4%	-1.1%
5	89.5	-5.6%	0.0%
6	94.6	-1.4%	1.3%
7	93.2	-3.0%	2.6%
8	91.3	-1.8%	4.6%
9	86.5	-0.9%	9.1%
10	83.3	-0.5%	9.5%
11	83.3	4.9%	9.0%
12	89.7	4.1%	1.7%
13	90.1	3.6%	-4.3%
14	93.4	5.2%	-2.1%
15	87.4	0.4%	-4.3%
16	86.6	0.4%	-6.1%

6500K ONLY (27K6) | Rf: 86.8 | Rg: 96.8

Color Vector Graphic



■ Test ■ Reference

HUE BIN	Rf	GRAPHIC SHIFTS %	
		CHROMA	HUE
1	86.5	-4.7%	0.8%
2	91.9	-2.5%	3.1%
3	91.2	-2.0%	1.9%
4	91.2	-1.6%	1.4%
5	85.7	-6.2%	-0.9%
6	92.9	-3.5%	-1.0%
7	92.1	-4.7%	0.7%
8	85.2	-5.8%	4.9%
9	82.8	-6.2%	14.3%
10	77.1	-0.7%	15%
11	72.1	5.8%	14.1%
12	91.6	4.0%	1.0%
13	89.9	5.6%	-2.3%
14	90.5	-1.8%	-3.7%
15	81.6	6.5%	-13.9%
16	92.8	-3.6%	-0.4%

PROJECT	FIXTURE TYPE	DATE
---------	--------------	------