



1718 W. Fullerton Chicago, IL 60614
 Ph: 773.770.1195 • Fax: 773.935.5613
 www.PureEdgeLighting.com • info@PureEdgeLighting.com
 © 2016 PureEdge Lighting. All Rights Reserved.

Installation Instructions for Radiant Large Vanishing Point and Radiant Large Track Head

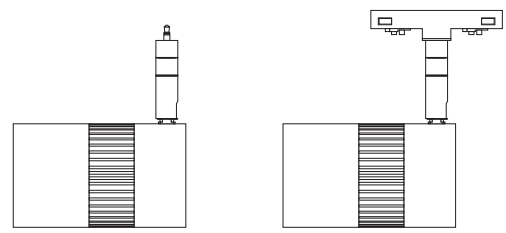
FJ24-RADL_
T24-RADL_



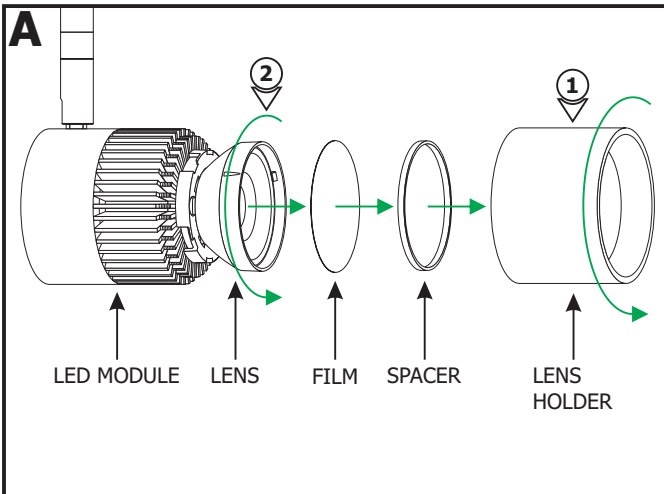
IMPORTANT INFORMATION

- This product is suitable for indoor dry locations.
- Ensure that power to the electrical box is **OFF** before beginning installation.
- These lighting fixtures must be used with PureEdge Lighting 24 volt Vanishing Point Monopoint system and track systems only.
- This product is dimmable when the system is powered with PureEdge 0-10 volt, ELV and Universal power supplies.

SAVE THESE INSTRUCTIONS!

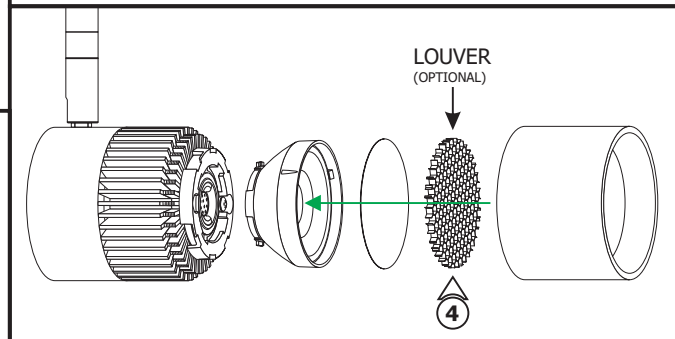
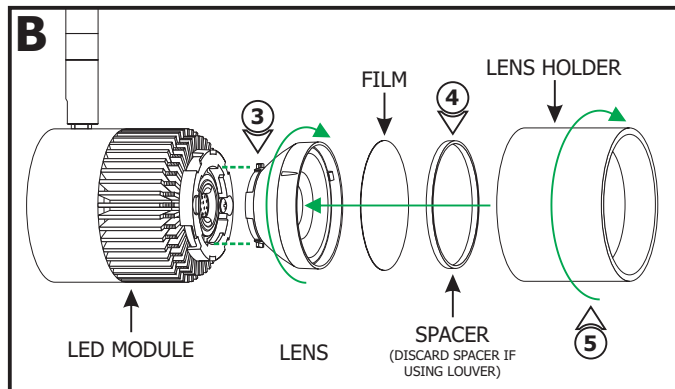


Section One: Replace the Lens

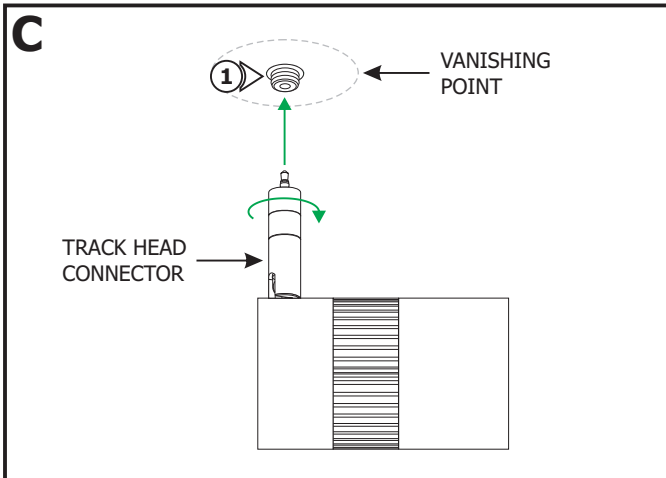


- 1: Unscrew the lens holder counter-clockwise and remove it from the LED module.
- 2: Remove the spacer and film. Rotate the lens counter-clockwise to remove it from the LED module.

- 3: Replace the lens and reinstall by aligning the tabs on the lens with the LED module and rotating clockwise.
- 4: If using the optional louver, discard the spacer.
- 5: Place the film and spacer, or optional louver, in front of the lens and screw the lens holder back clockwise to secure in place.



Section Two: Install the Track Head for Vanishing Point Monopoint Systems

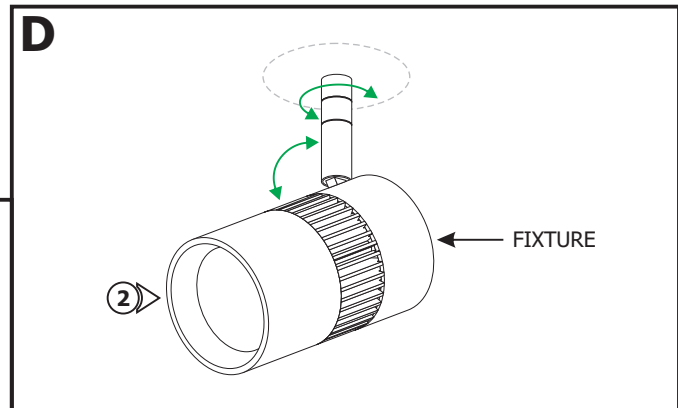


NOTE: Omit this section if installing the track head to Track Systems. Refer to Section Three.

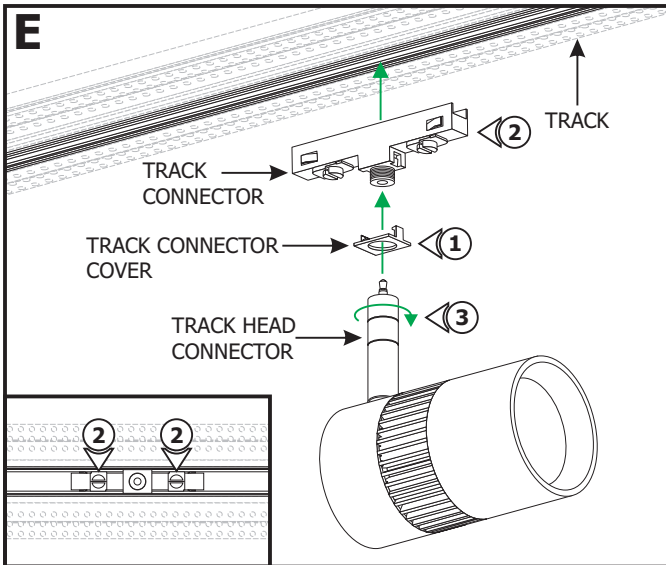
NOTE: Refer to the instructions provided with the Vanishing Point to install the system.

1: Plug the track head connector into the Vanishing Point connector. Use fingers to tighten the connector and secure in place.

- 2:** Adjust the fixture to the desired position by rotating the body vertically or horizontally.
 - 3:** Turn the power on.
- NOTE:** This fixture consumes **14** watts and contains integrated LED lamps which are rated for 50,000 hours.



Section Three: Install the Track Head for Track Systems



NOTE: Omit this section if installing the track head to Vanishing Point Systems.

NOTE: Refer to the instructions provided with the track to install the system.

- 1:** Snap the black or white cover onto the track connector.
- 2:** Insert the track connector into the track. Tighten the slotted screws with a flat head screw driver to secure in place.
- 3:** Plug the track head connector into the track connector. Use fingers to tighten the connector and secure in place.

- 4:** Adjust the fixture to the desired position by rotating the body vertically or horizontally.
 - 5:** Turn the power on.
- NOTE:** This fixture consumes **14** watts and contains integrated LED lamps which are rated for 50,000 hours.

