



1718 W. Fullerton Chicago, IL 60614
 Ph: 773.770.1195 • Fax: 773.935.5613
 www.PureEdgeLighting.com • info@PureEdgeLighting.com
 © 2016 PureEdge Lighting. All Rights Reserved.

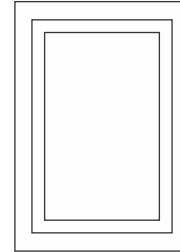
Installation Instructions for Plaza Large LED and Plaza Small LED

PLAZA--LED--

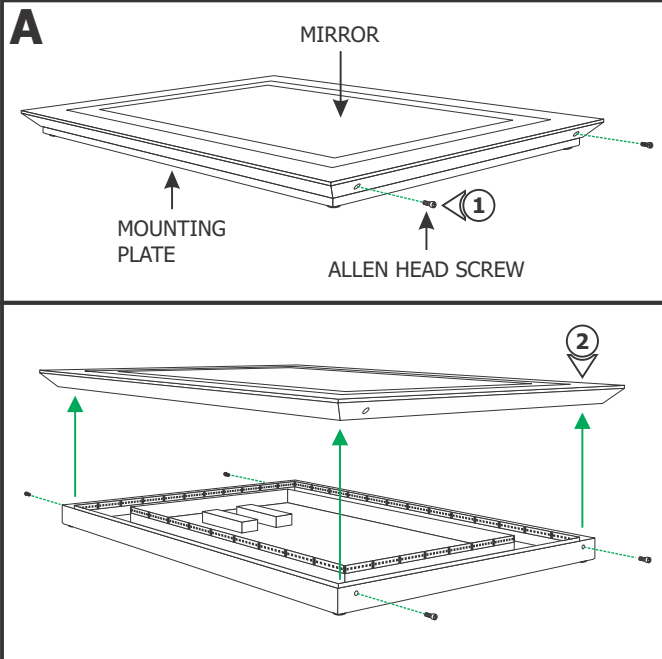
IMPORTANT INFORMATION

- This product is wall mounted only.
- Supply power to mirror in accordance with local electrical codes.
- This instruction shows a typical installation.
- This product is dimmable with ELV and 0-10V dimmers.

SAVE THESE INSTRUCTIONS!



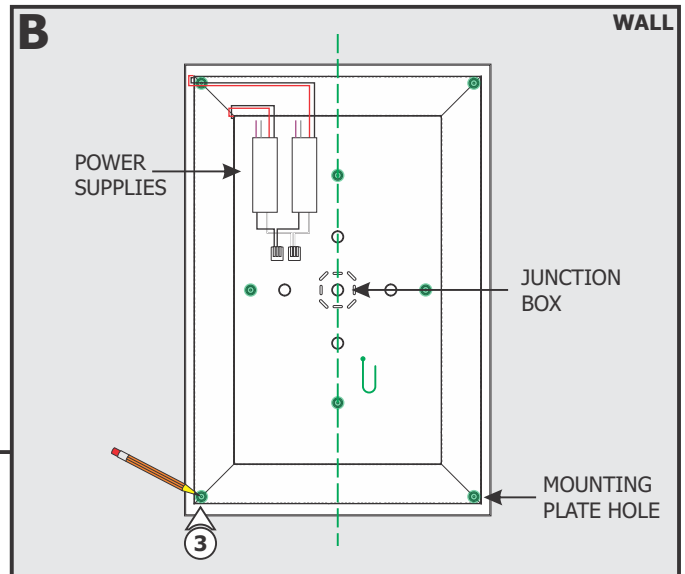
Install the Fixture



NOTE: It is recommended that one person holds the mounting plate while the electrician installs it.

1: Loosen and remove the four Allen head screws on the top and bottom of the mounting plate with the Allen wrench.

2: Pull the mounting plate completely out of the mirror.

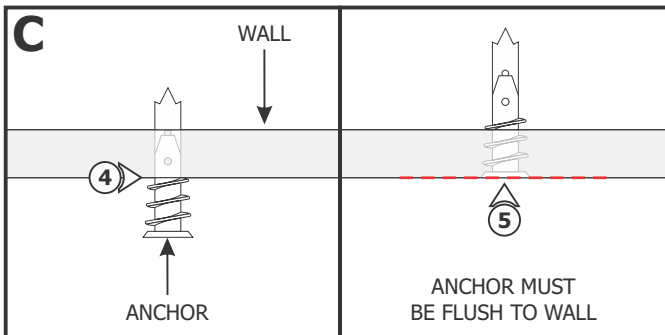


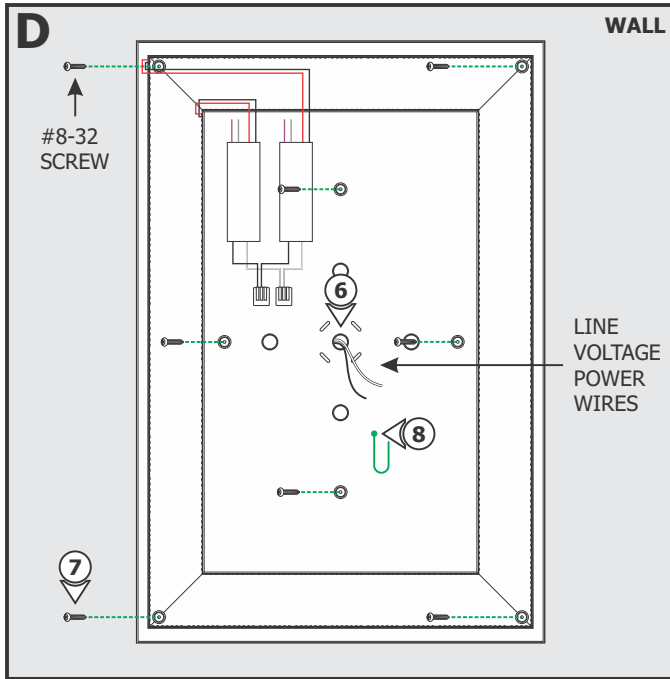
NOTE: Make sure that the mounting plate is leveled.

3: Using the mounting plate as a template, mark eight mounting holes (highlighted in GREEN) onto the wall.

4: Tap the anchors onto the marked locations up to the threaded portion with a hammer.

5: Screw in the threaded portion of the anchors with a Phillips screwdriver.

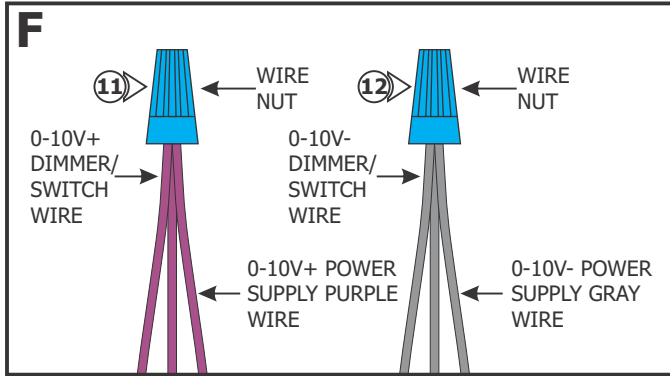
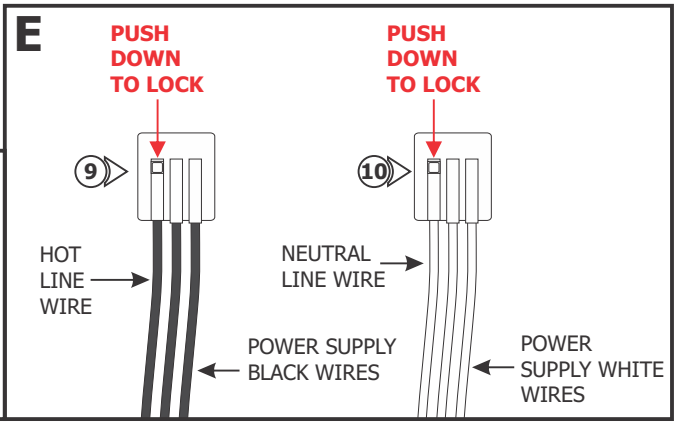




- 6:** Feed the line voltage power wires through the mounting plate using 1/2" knockouts and appropriate connectors in accordance with local electrical codes.
- 7:** Line up the mounting plate holes with the anchors and secure it with the eight #8 screws provided.
- 8:** Ensure the mounting plate is grounded in accordance with local electrical codes.

NOTE: Contains integrated 24V LED lights consuming a total of 115 Watts (**Plaza Large**) or 73 Watts (**Plaza Small**).

- 9:** On the lever nut that black power supply wires are connected, pull up an available lock lever and insert the hot line wire. Press the lever down to connect and lock in place.
- 10:** On the lever nut that white power supply wires are connected pull up an available lock lever and insert the neutral line wire. Press the lever down to connect and lock in place.



NOTE: For ELV dimming, cap the 0-10V wire ends with wire nuts. The 0-10V wires are not used.

- 11:** Connect the 0-10V+ purple wire of both power supplies to the 0-10V+ wire of the dimmer/switch with a wire nut.
- 12:** Connect the 0-10V- gray wire of both power supplies to the 0-10V- wire of the dimmer/switch with a wire nut.

- 13:** Carefully place the mirror onto the mounting plate.
- 14:** Secure the mirror to the mounting plate by tightening the four Allen screws using an Allen wrench.

