



1718 W. Fullerton Chicago, IL 60614
 Ph: 773.770.1195 • Fax: 773.935.5613
 www.PureEdgeLighting.com • info@PureEdgeLighting.com
 © 2016 PureEdge Lighting. All Rights Reserved.

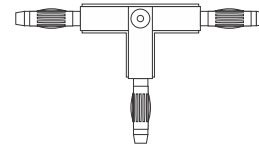
Installation Instructions for Monorail "T" Conductive Connector

MC-TC_

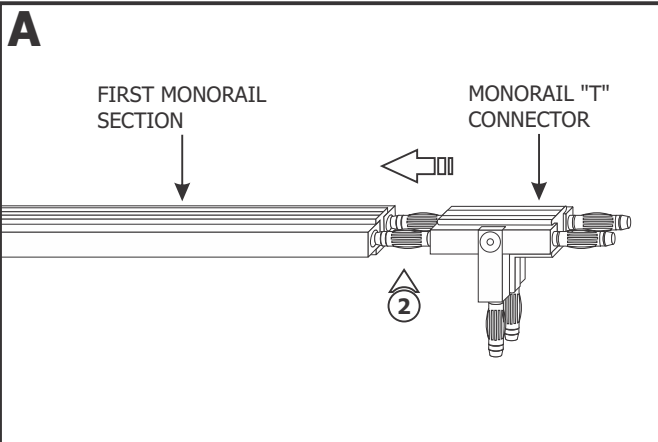
IMPORTANT INFORMATION

- This product is ETL listed for indoor dry locations.
- This product joins and electrically conducts three Monorail sections end to end at 90° angles.
- The product is intended to be used with PureEdge Lighting Monorail systems only.

SAVE THESE INSTRUCTIONS!



Install the Monorail "T" Connector



1: Align the Monorail "T" Connector with the first monorail section.

2: Push the Monorail "T" connector pins completely into the Monorail holes. **Make sure this Monorail section is secured with the standoffs (Refer to the instructions provided with the standoffs).**

3: Push the second Monorail section completely onto the Monorail "T" connector pins and simultaneously connect this Monorail to the standoffs.

4: Repeat step 3 for the third Monorail section.

