



1718 W. Fullerton Chicago, IL 60614  
 Ph: 773.770.1195 • Fax: 773.935.5613  
 www.PureEdgeLighting.com • info@PureEdgeLighting.com  
 © 2016 PureEdge Lighting. All Rights Reserved.

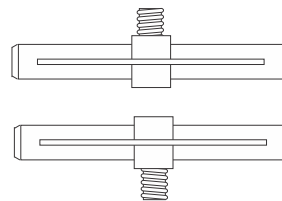
## Installation Instructions for Monorail Straight Isolating Connector

MC-SI

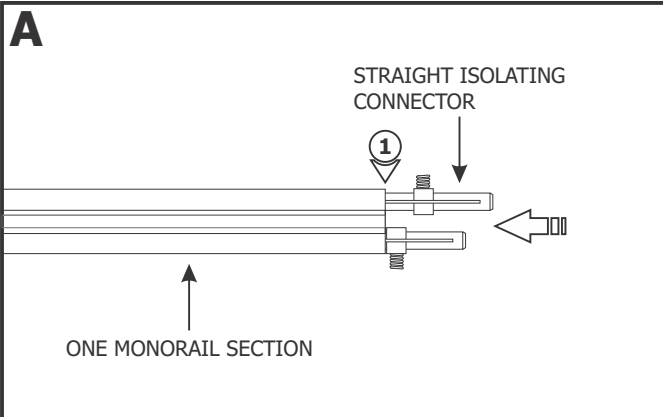
### IMPORTANT INFORMATION

- This product is ETL listed for indoor dry locations.
- This product joins and electrically isolates two Monorail sections end to end.
- The product is intended to be used with PureEdge Lighting Monorail systems only.

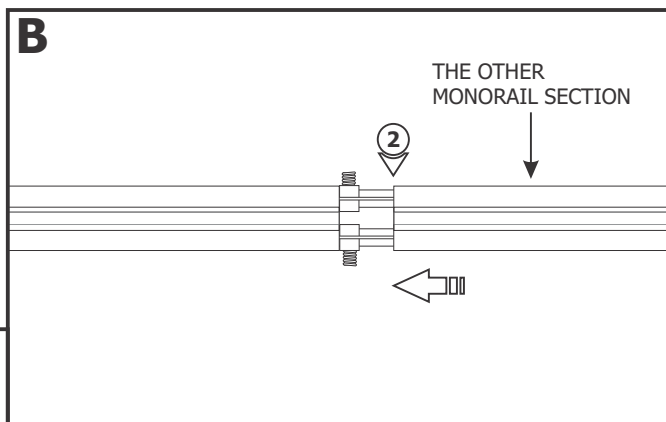
**SAVE THESE INSTRUCTIONS!**



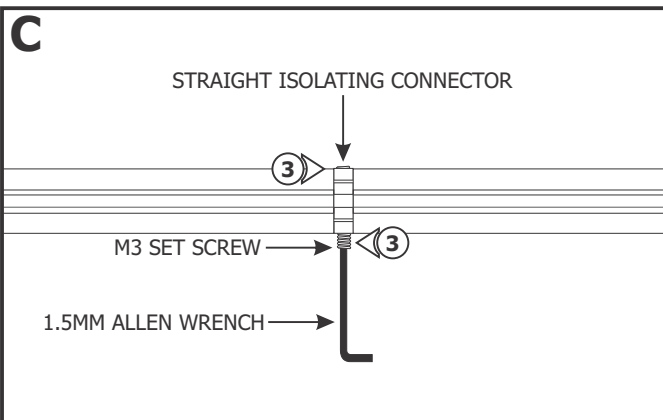
## Install the Monorail Straight Isolating Connector



**1:** Push the straight isolating connectors completely into one Monorail section end. **Make sure this Monorail section is secured with the standoffs (Refer to the instructions provided with the standoffs).**



**2:** Push the other Monorail section entirely onto the straight isolating connectors and simultaneously connect the Monorail to the standoffs.



**3:** Tighten the M3 set screw on each of the isolating connectors firmly with the 1.5mm Allen wrench. **Do not over tighten the set screws as this may strip the threads.**