



1718 W. Fullerton Chicago, IL 60614  
 Ph: 773.770.1195 • Fax: 773.935.5613  
 www.PureEdgeLighting.com • info@PureEdgeLighting.com  
 © 2016 PureEdge Lighting. All Rights Reserved.

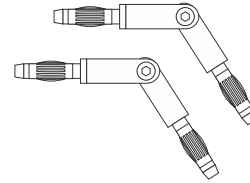
## Installation Instructions for Monorail Flexible Conductive Connector

MC-FX\_

### IMPORTANT INFORMATION

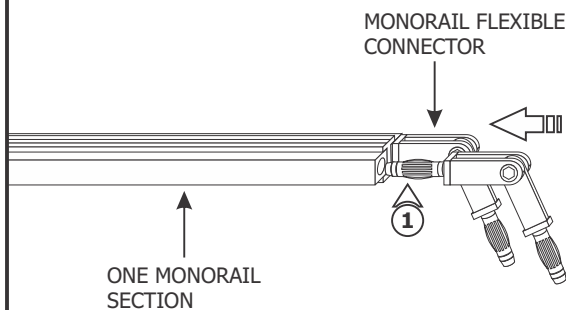
- This product is ETL listed for indoor dry locations.
- This product joins and electrically conducts two Monorail sections end to end at any sharp angle.
- The product is intended to be used with PureEdge Lighting Monorail systems only.

**SAVE THESE INSTRUCTIONS!**



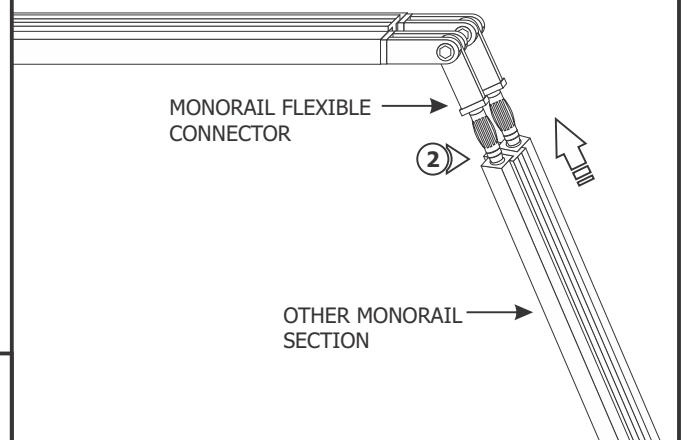
## Install the Monorail Flexible Connector

### A



**1:** Push the Monorail flexible connector pin completely into one Monorail section hole. **Make sure this Monorail section is secured with the standoffs (Refer to the instructions provided with the standoffs).**

### B



**2:** Push the other Monorail section completely onto the Monorail flexible connector pins and simultaneously connect this Monorail to the standoffs.