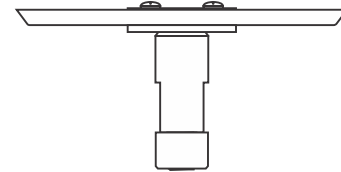


## Installation Instructions for Monorail 4" Round Single Power Feed Canopy with 60 Watt 12 Volt Electronic LED Transformer

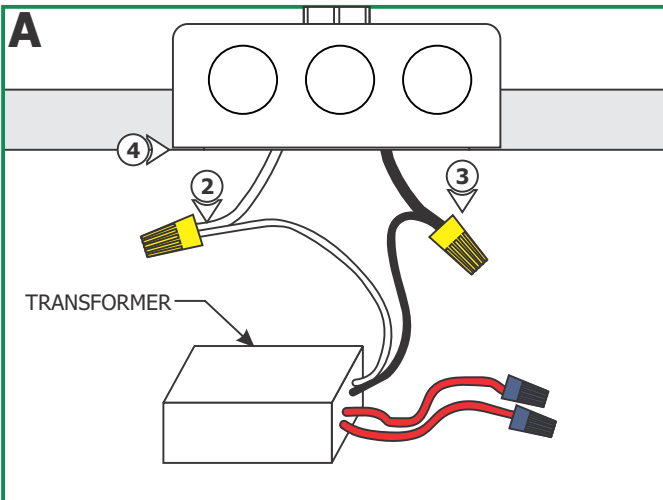
### IMPORTANT INFORMATION

- This product is ETL listed for indoor dry locations.
- This product can be installed to a 4" electrical box with round plaster ring, or to an octagon electrical box.
- Minimum electrical box volume must be 6 cubic inches (98 cubic centimeters).
- This product should be installed by a qualified electrician.

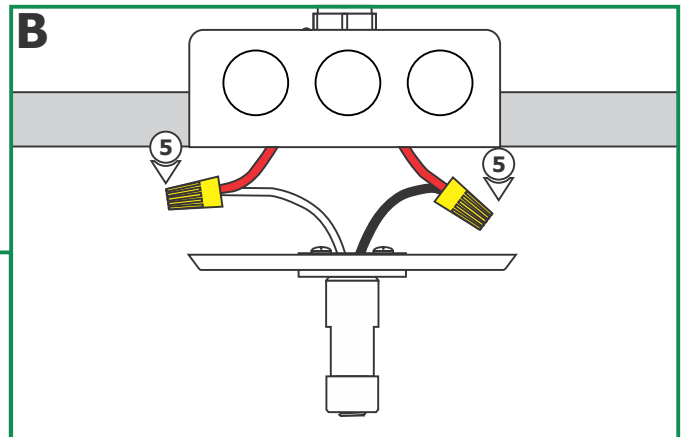
**SAVE THESE INSTRUCTIONS!**



### Install the Electronic Transformer & Canopy

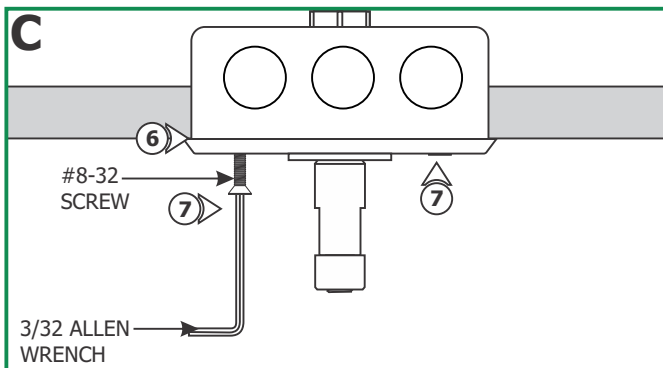


- 1: Turn the power to electrical box off.
- 2: Connect the white transformer wire to the neutral power wire with a wire nut.
- 3: Connect the black transformer wire to the hot power wire with a wire nut.
- 4: Place the transformer and transformer wires inside the electrical box.



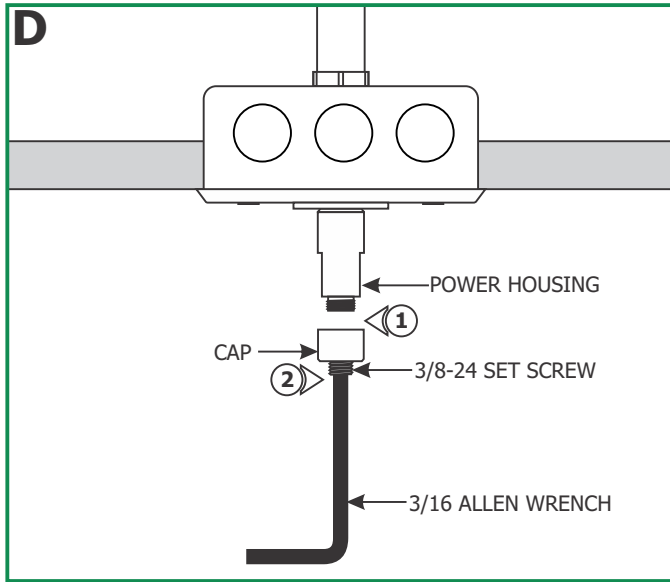
**NOTE:** Use the universal round crossbar (provided) if the electrical box holes are not spaced 2-3/4" apart.

- 5: Connect each low voltage wire transformer to one power feed canopy wire with a wire nut.



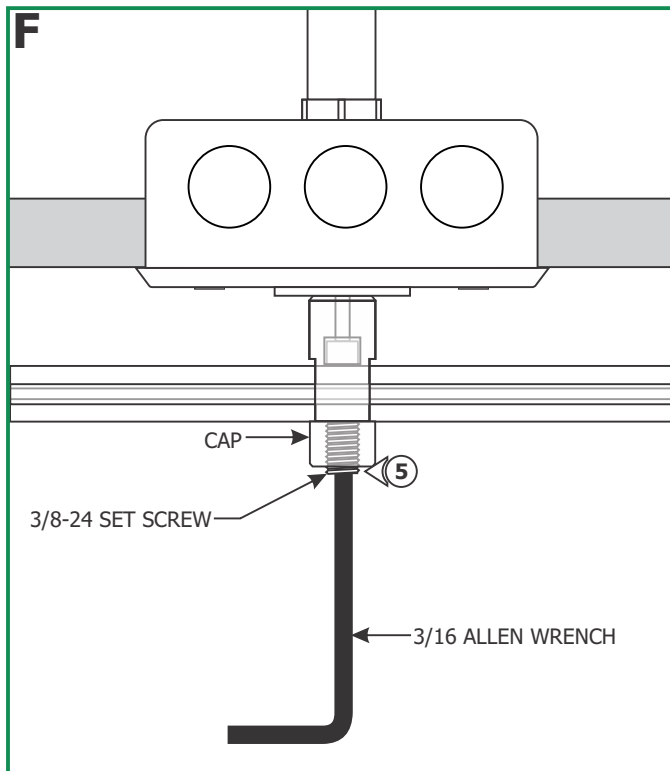
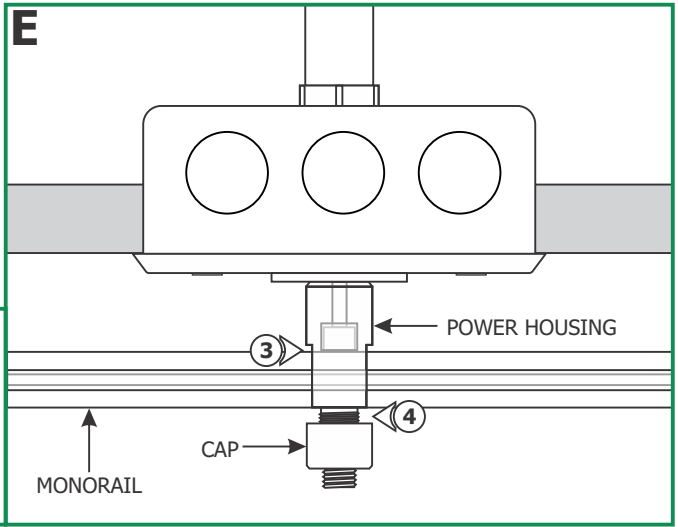
- 6: Place all wires inside the electrical box.
- 7: Secure the power feed canopy to the electrical box by tightening the two provided #8-32 screws with the 3/32 Allen wrench.

# Install the Monorail to Power Feed Canopy



- 1: Unscrew the cap from power housing.
- 2: Slightly loosen the 3/8-24 set screw on the cap with the 3/16 Allen wrench provided, **DO NOT REMOVE IT.**

- 3: Place the Monorail into the power housing. Make sure that the Monorail is supported by the standoffs. Refer to the instructions provided with the standoffs.
- 4: Tighten the cap to the power housing. **Make sure the cap is not cross threaded.**



- 5: Tighten the 3/8-24 set screw on the cap firmly with the 3/16 Allen wrench provided for proper power connection.

**CAUTION: Risk of Fire: MAX** load of Fast Jack LED canopy is 60 watt.