



1718 W. Fullerton Chicago, IL 60614  
 Ph: 773.770.1195 • Fax: 773.935.5613  
 www.PureEdgeLighting.com • info@PureEdgeLighting.com  
 © 2016 PureEdge Lighting. All Rights Reserved.

## Installation Instructions for Miniport LED Surface Trim and Eyelid

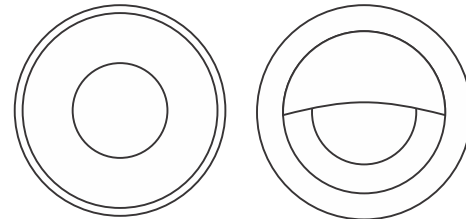
MPORT-12VAC-\_-SS



### IMPORTANT SAFETY INFORMATION

- This product is ETL listed for wet locations.
- **WARNING:** Fixture must be installed in accordance with National and Local Electrical codes.
- Load cannot exceed the total wattage of the LED power supply rating.
- This fixture must be installed by a licensed electrician.
- Use UL listed type UF underground cable when no conduit is used to power the fixture(s).
- For outdoor installation, use outdoor rated electrical boxes (minimum 1.5" deep), conduit feedings, and wire nuts. For indoor installation use octagon electrical boxes.
- This instruction shows a typical installation.

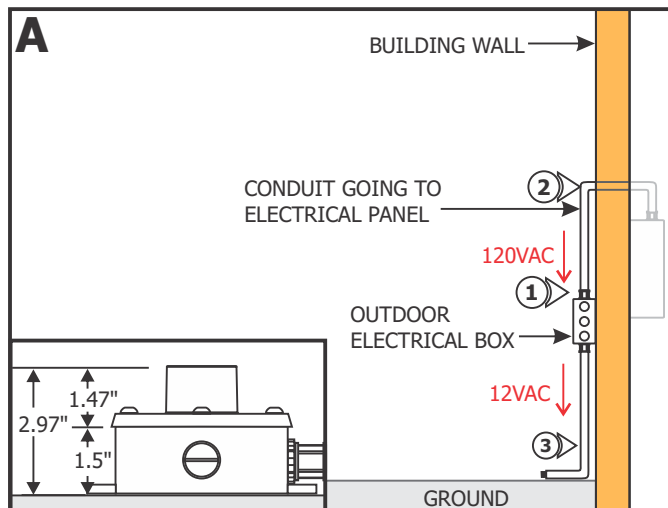
**SAVE THESE INSTRUCTIONS!**



### IMPORTANT INFORMATION

- Miniports are only powered by a 12VAC LED transformer and are dimmable with an Electronic Low Voltage Dimmer.

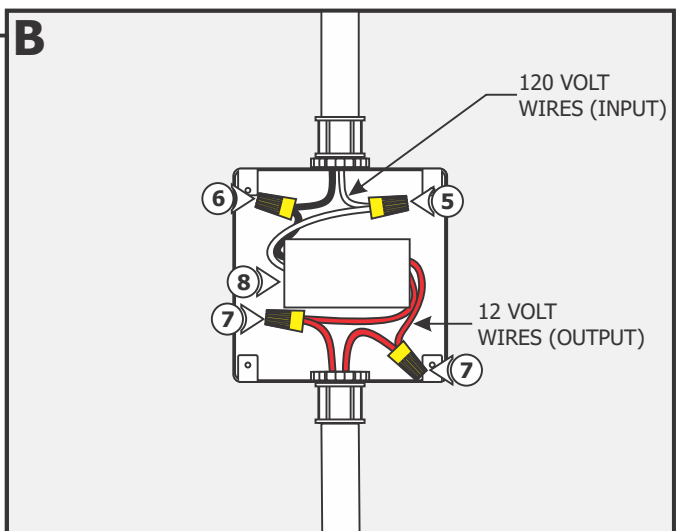
## Outdoor Installation Using a LED Single Power Supply (TE-60L-12)



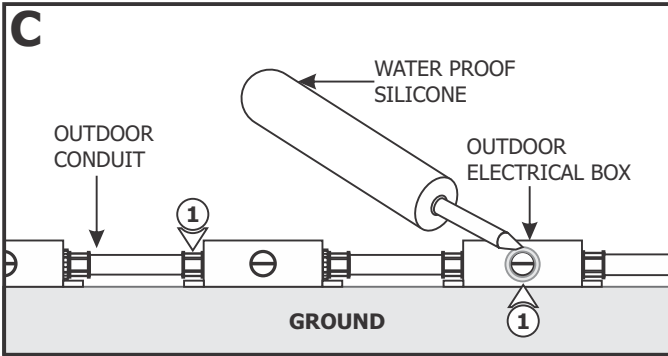
- 1: Install an outdoor electrical box onto the wall or post next to the building to fit the LED power supply (TE-60L-12) and to branch the power to all in ground electrical boxes.
- 2: Install conduit and run 120 volt power wires from the panel to the outdoor box.
- 3: Install conduit(s) from the outdoor electrical box to all in ground fixture outdoor electrical boxes.
- 4: Run proper wire sizes from branching electrical box to all fixture electrical boxes using the "Wire Size Chart" on page 3.

**NOTE:** The TE-60L-12 electronic LED power supply can power to a maximum of 15 Miniport fixtures.

- 5: Connect the white LED power supply wire to 120 volt neutral power wire with a wire nut.
- 6: Connect the black LED power supply wire to 120 volt hot power wire with a wire nut.
- 7: Connect one 12 volt power supply (red wire) in parallel to one wire going to each fixture electrical box with wire nuts. Connect the other 12 volt power supply wire in parallel to the other wire going to each fixture electrical box with wire nuts. (See wiring diagram on page 4).
- 8: Place the LED power supply and wire nut connection inside the electrical box and mount the box cover.

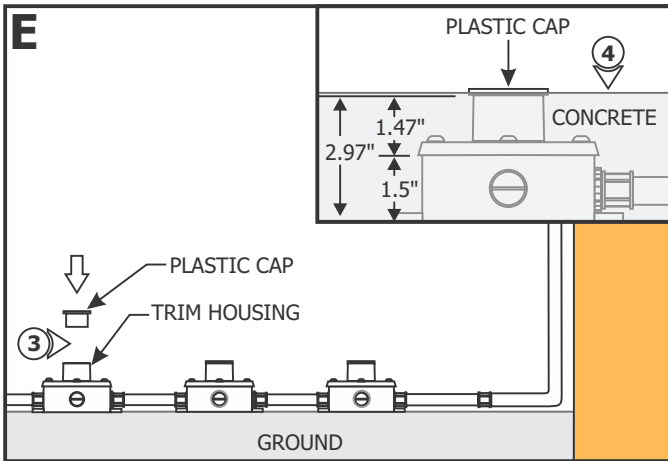
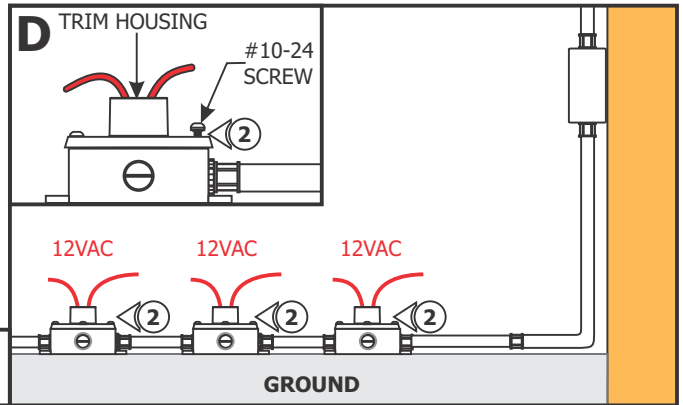


# Outdoor Trim Housing Installation



**1:** Caulk all areas of the outdoor electrical boxes and the conduit connectors with a water proof silicone to prevent water entering in the electrical boxes.

**2:** Align and secure each trim housing to the electrical box holes with the four #10-24 water sealant screws provided.

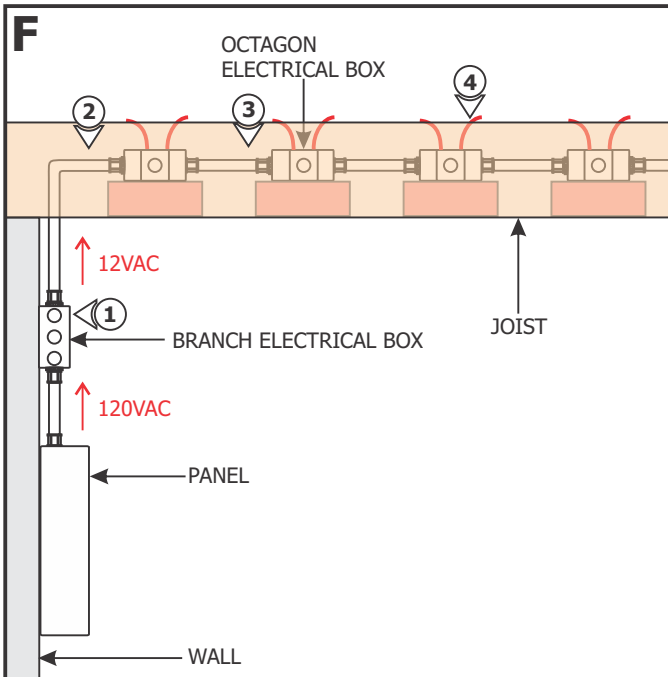


**3:** Insert the provided plastic caps to all trim housings to prevent particles and concrete debris from entering inside the box.

**4:** Pour the concrete up to plastic cap and wait to dry.

**5:** Refer to the "Wiring the Trims" section.

# Indoor Installation Using a Single LED Power Supply (TE-60L-12)



**NOTE:** Use only octagon boxes to install the trim housings indoor.

**1:** Install an electrical box onto the wall or post next to the panel to fit the LED power supply (TE-60L-12) and to branch the power to all octagon electrical boxes.

**2:** Install conduit and run 120 volt power wires from the panel to the branching electrical box.

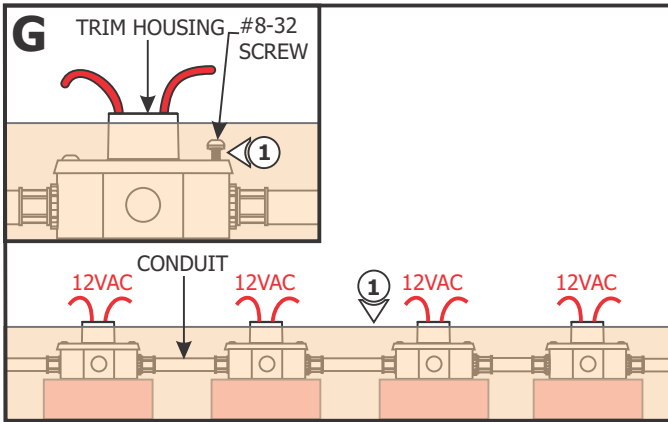
**NOTE:** Subfloor, floor, and Miniport trim housings (1.47") heights must be considered when positioning the octagon boxes between the joists.

**3:** Install conduit(s) from the branching electrical box to all octagon fixture electrical boxes.

**4:** Run proper wire sizes from branching electrical box to all fixture electrical boxes using the "Wire Size Chart" on page 3.

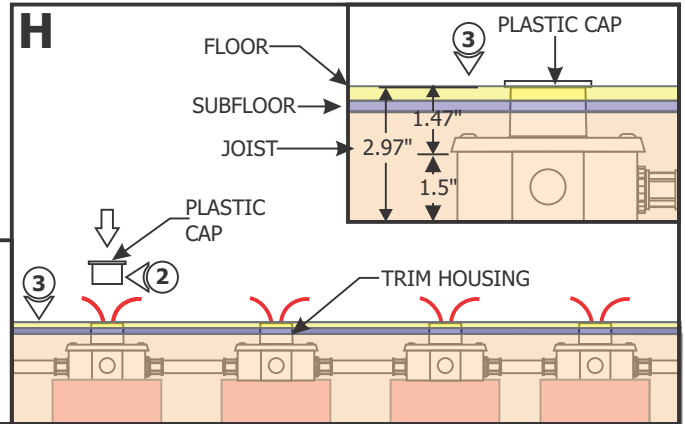
**5:** Follow steps 5 through 8 on page 1 using drawing B to connect the wires to the power supply.

# Indoor Trim Housing Installation

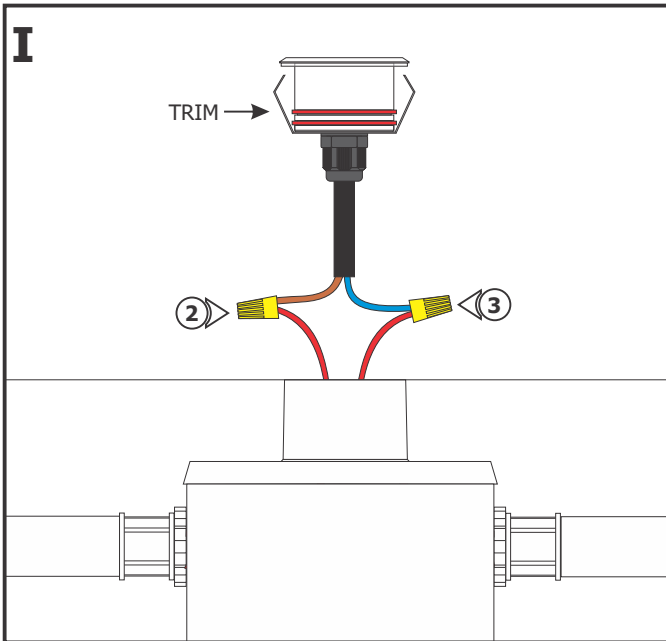


**1:** Align and secure the each trim housing to the octagon electrical box holes with the two #8-32 screws (not provided).

- 2:** Insert the provided plastic caps to all trim housing to prevent dust and debris from entering inside the box.
- 3:** Finish the floor installation up to the plastic cap.
- 4:** Refer to the "Wiring the Trims" section.



# Wiring the Trims



**NOTE:** For outdoor installation, use water proof outdoor wire nuts for power connection.

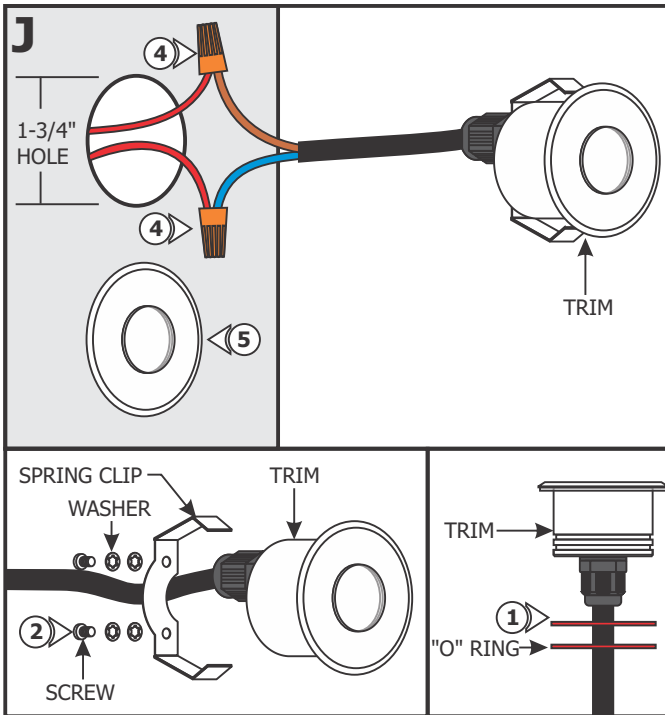
- 1:** Remove the plastic caps.
- 2:** Connect the brown wire to one low voltage wire (either one) and the blue wire to the other low voltage wire coming from the transformer with wire nuts.
- 3:** Place all wire connections inside the electrical box and push the trim completely into the trim housing opening.
- 4:** Repeat steps 1 through 3 for other trims.

**NOTE:** Each fixture contains an integrated LED lamp. Each Miniport consumes 1 watt.

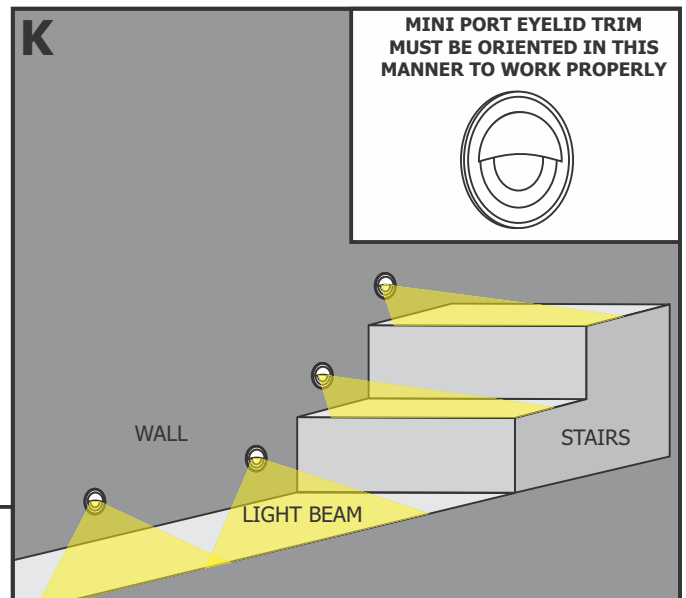
## LOW VOLTAGE WIRE SIZE CHART

TRANSFORMER WATTER	WIRE SIZE FOR UP TO 13 FT	WIRE SIZE FOR 14-20 FT	WIRE SIZE FOR 21-34 FT	WIRE SIZE FOR 34-52 FT
12V 60W TE-60L-12	#14 AWG	#12 AWG	#10 AWG	#8 AWG

## Indoor Installation without the Trim Housing



- 1:** Remove the two "O" rings from the Miniport.
- 2:** Install the provided spring clip on back of the Miniport with the washers and screws.
- 3:** Make a 1-3/4" circular hole where each Miniport is going to be installed. (DRYWALL or the riser of the wood steps)
- 4:** Connect the brown wire from the trim to one low voltage transformer wire and the blue wire from the trim to the other low voltage transformer wire with wire nuts.
- 5:** Push the Miniport spring completely inside the cut out hole so that the Miniport is secured in place.



**NOTE:** If installing eyelid Miniport to the walls next to stairs place the trim in the downward position for proper lighting.

## Overall Wiring Diagram

