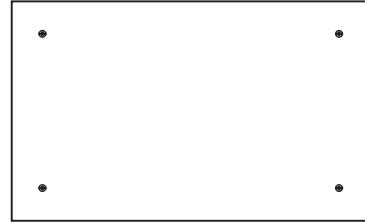




1718 W. Fullerton Chicago, IL 60614
 Ph: 773.770.1196 • Fax: 773.883.6128
 www.pureedgelighting.com • info@pureedgelighting.com
 © 2016 PureEdge Lighting. All Rights Reserved.

Installation Instructions for Tunable White 0-10V 96 Watt LED Driver Two Channel Controls, #1 Intensity, #2 Color Temperature In-Wall



SAVE THESE INSTRUCTIONS!



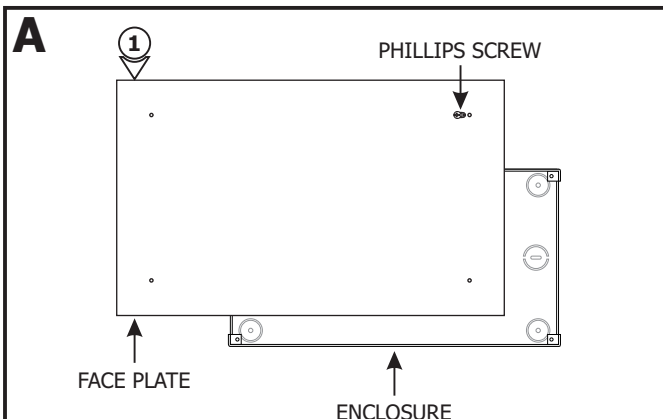
GENERAL INFORMATION

- **RISK OF FIRE:** This product must be installed by a qualified electrician. Turn the power to the electrical box off during installation. Read the "Important Safety Instructions" before installation.
- **NOTE:** To avoid overheating the power supply, install it in a ventilated remote location where air flows. Maintain proper spacing among power supplies when multiple power supplies are installed in the same remote location.
- This product is not suitable for wet locations. It is approved for the use at any height above the finished floor.
- A typical installation is shown. Specific installation must be in accordance with the local electrical codes.
- **TO REDUCE RISK OF FIRE,** it is important to wire the power supply for the system as described in this installation instruction.
- Load the power supply to **MAXIMUM 96** Watts.

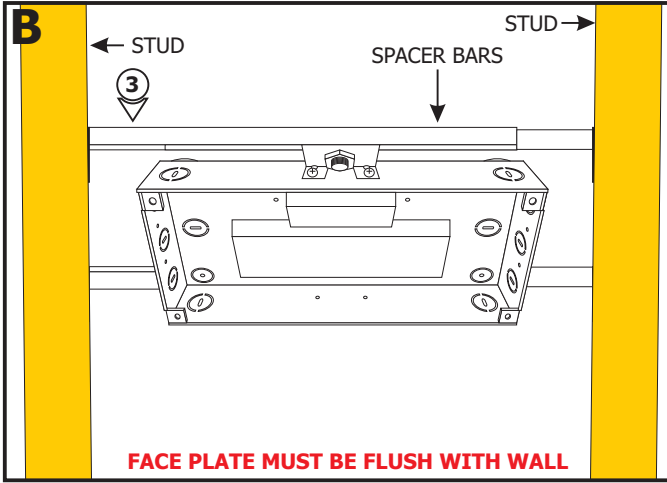
IMPORTANT SAFETY INSTRUCTIONS

- Do not install this power supply in a wet location.
- To reduce the risk of the system overheating and possibly causing a fire, make sure all the connections are tight.
- Do not install *LED fixture closer than three inches or as specified in the *LED fixture installation instructions to curtains or similarly combustible materials. Keep insulation at least 3" away from the enclosure.
- Turn the electrical power off before modifying the lighting system in any way.
- The system is "ETL" listed for USA and Canada only when all the products used are supplied by PureEdge Lighting.
- * See LED fixture installation instructions for proper placement.

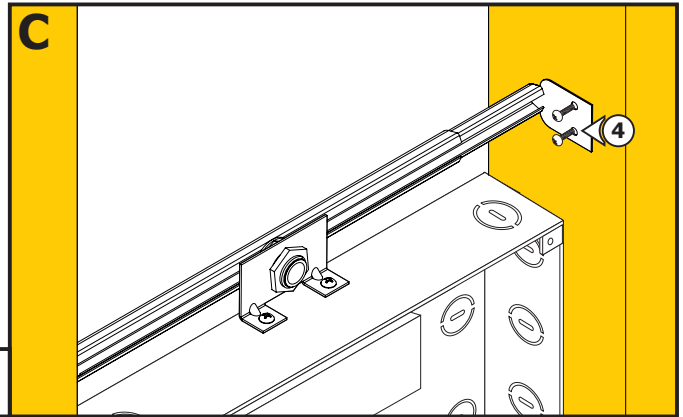
Install the Power Supply Kit



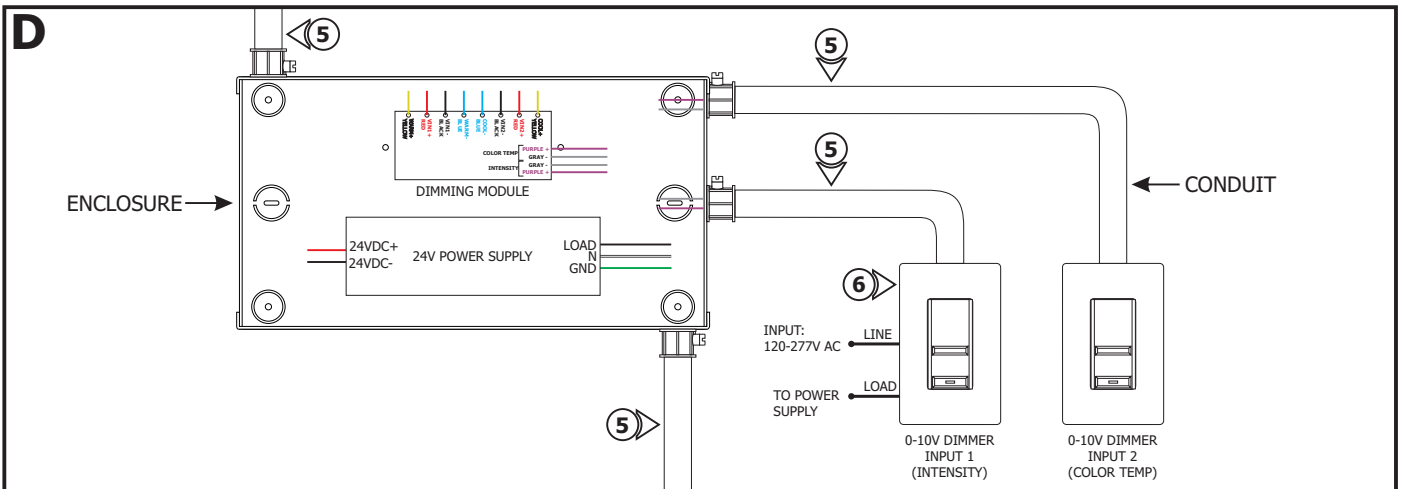
- 1:** Remove the four Phillips screws to slide the face plate off of the enclosure.



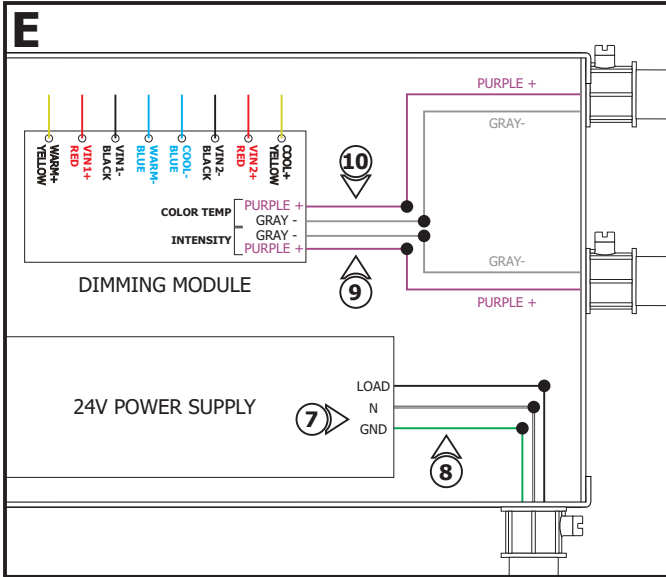
- 2:** Ensure that face plate of the power supply enclosure is flush with the wall.
- 3:** Use sliding spacers to mount power supply box between studs.



- 4:** Screw spacer bars to studs, ensuring that the front face plate stays flush with wall.

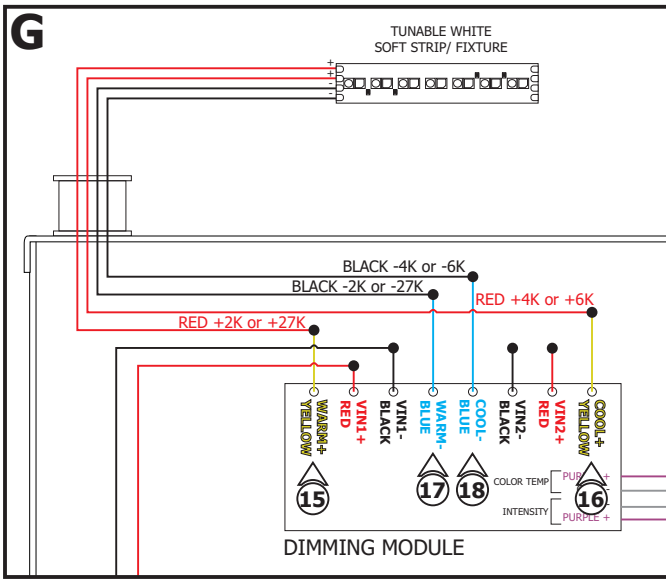
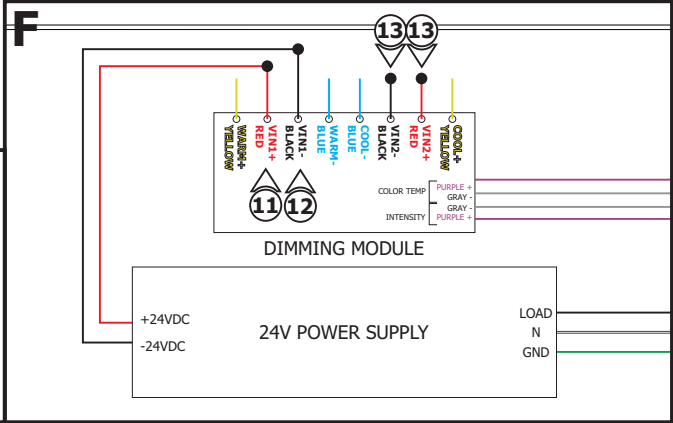


- 5:** Install conduits from the controllers, main panel (line voltage), and LED Soft Strip or fixture to the power supply enclosure.
- 6:** Install the 0-10V controllers. Refer to the instructions provided with the controllers. Run the wires from the controllers to the power supply enclosure.

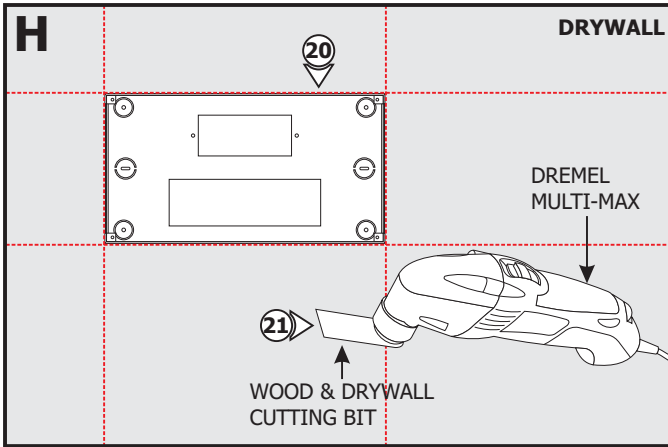


- 7:** Connect the 120-277V AC power into the enclosure from the circuit box panel.
- 8:** Ensure the power supply is grounded in accordance with local electrical codes.
- 9:** Connect the bottom gray and purple dimming module wires to the gray and purple wires from one controller respectively using wire nuts.
- 10:** Connect the top gray and purple dimming module wires to the gray and purple wires from the second controller respectively using wire nuts.

- 11:** Connect the +24VDC power supply wire to the Vin1+ Red dimming module wire using a wire nut.
- 12:** Connect the -24VDC power supply wire to the Vin1- Black dimming module wire using a wire nut.
- 13:** The Vin2+ Red and Vin2- Black wires are not used in this procedure. Cap the Vin2+ Red and Vin2- Black wires using wire nuts.



- NOTE:** Use only 24VDC LED products with this power supply.
- 14:** Run the proper size wires from the Tunable White LED Soft Strip/fixture to the power supply enclosure.
 - 15:** Connect the first red wire of the LED Soft Strip/fixture to the Warm+ Yellow dimming module wire using a wire nut.
 - 16:** Connect the second red wire of the LED Soft Strip/fixture to the Cool+ Yellow dimming module wire using a wire nut.
 - 17:** Connect the first black wire of the LED Soft Strip/fixture to the Warm- Blue dimming module wire using a wire nut.
 - 18:** Connect the second black wire of the LED Soft Strip/fixture to the Cool- Blue dimming module wire using a wire nut.

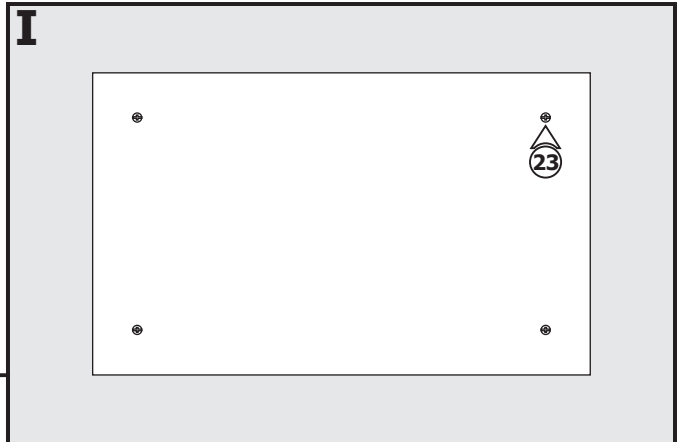


19: Determine the power supply location on the wall.

20: Mark a rectangle shape (roughly 12-1/8" X 6-1/2") on drywall where the enclosure opening will be located.

21: Cut out the marked rectangle opening, using a "Dremel Multi-Max" or other appropriate tool.

22: Install & finish drywall.



23: Replace the face plate and secure it by tightening the four Phillips screws.

General Wiring Diagram

