



1718 W. Fullerton Chicago, IL 60614
 Ph: 773.770.1195 • Fax: 773.935.5613
 www.PureEdgeLighting.com • info@PureEdgeLighting.com
 © 2016 PureEdge Lighting. All Rights Reserved.

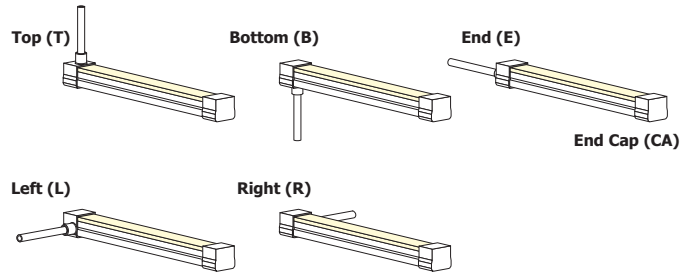
Installation Instructions for Flex Neon UDF7 24VDC Outdoor Wet Location

FN-UDF7-__

IMPORTANT INFORMATION

- This instruction shows a typical installation.
- The Outdoor Flex Neon is an IP67 rated wet location fixture featuring water tight barrel connections.
- This product bends up or down.

SAVE THESE INSTRUCTIONS!



Section One: Install the Flex Neon

A SURFACE

MOUNTING CLIP

MAX 12"

2

NOTE: Omit this Section if using Exterior Channel. Refer to Section Three.

- 1: Determine the location for the Flex Neon.
- 2: Mark the location of the mounting clips. Mounting clips must be maximum 12" apart from each other (measure from the center of the mounting clip).

NOTE: Steps 3 and 4 are for drywall mounting. Omit these steps if mounting to a wood surface directly.

- 3: Tap the anchors onto the marked points up to the threaded portion with a hammer.
- 4: Screw in the threaded portion of the anchors with a Phillips screwdriver.

B

ANCHOR

3

4

ANCHOR MUST BE FLUSH TO THE SURFACE

SURFACE

C SURFACE

5

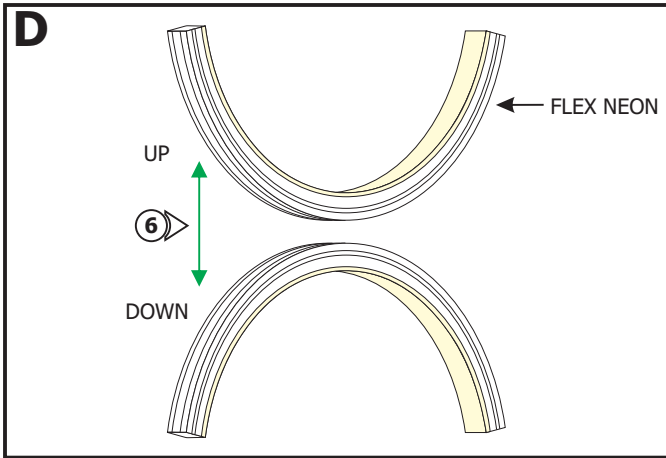
5

SCREW

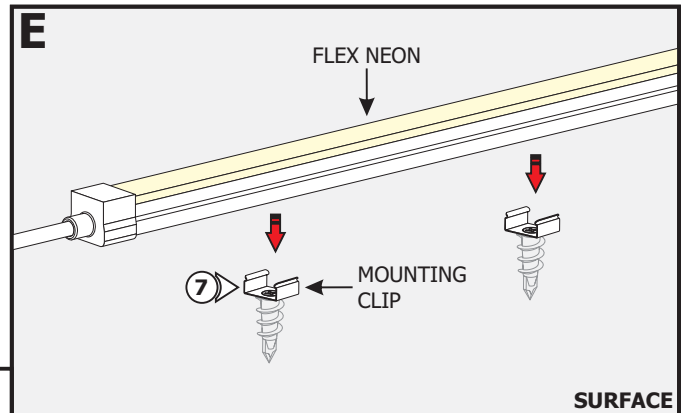
MOUNTING CLIP

ANCHOR

- 5: Line up the mounting clips to the anchors and secure it to the anchors by tightening the #8-32 screw to each clip.

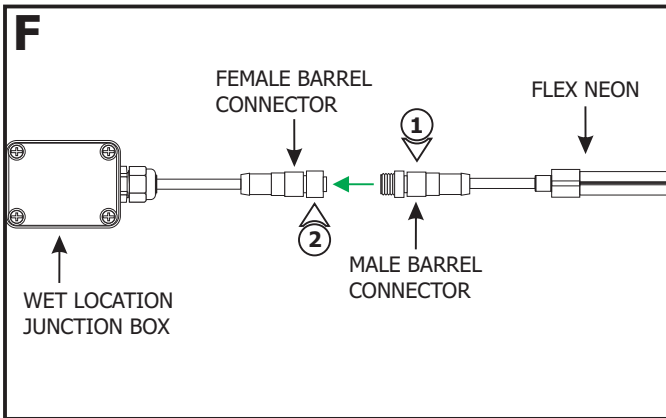


6: If necessary, bend the Flex Neon **ONLY** up and down.



7: Insert the Flex Neon into each mounting clip.

Section Two: Connect to Power



NOTE: Outdoor electrical connections must be made inside a waterproof junction box or using waterproof wire nut connections.

NOTE: Steps 1 through 3 are for the Wet Location Junction Box with Power Cable.

1: Refer to the instructions provided with the wet location junction box to connect to the power supply.

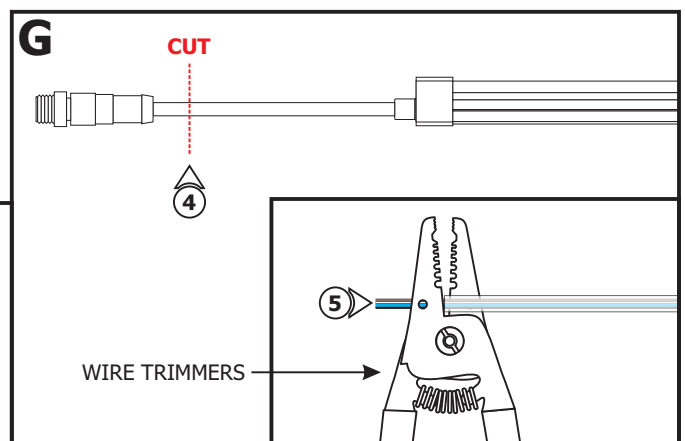
2: Align and push the male barrel connector of the Flex Neon into the female barrel connector going to the power supply.

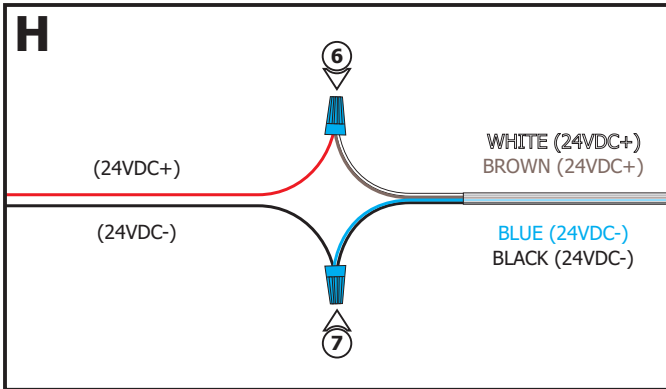
3: Twist the connector nut to lock in place.

NOTE: Omit steps 4 through 7 if using wet location junction box.

4: Cut the end of the power cord that is going to be connected to power and discard the unused connector.

5: Use AWG wire trimmers to remove the outer insulation from wire harness where electrical connection will be made.

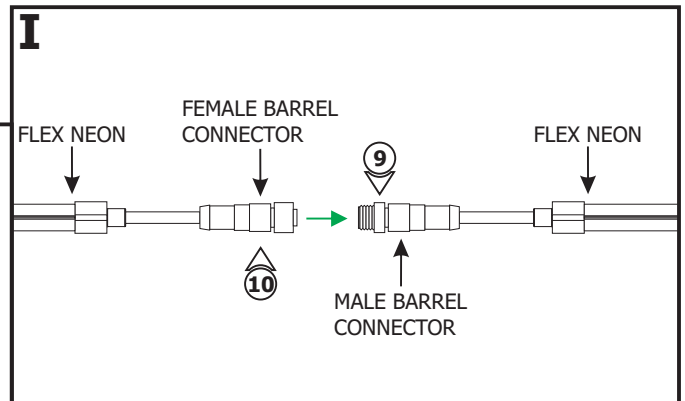




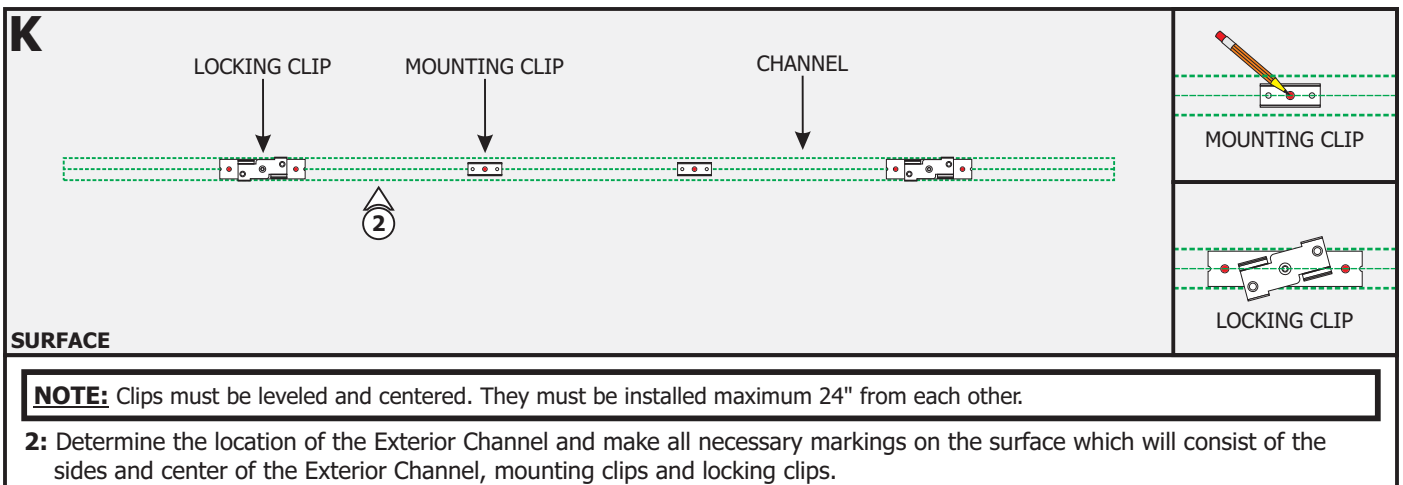
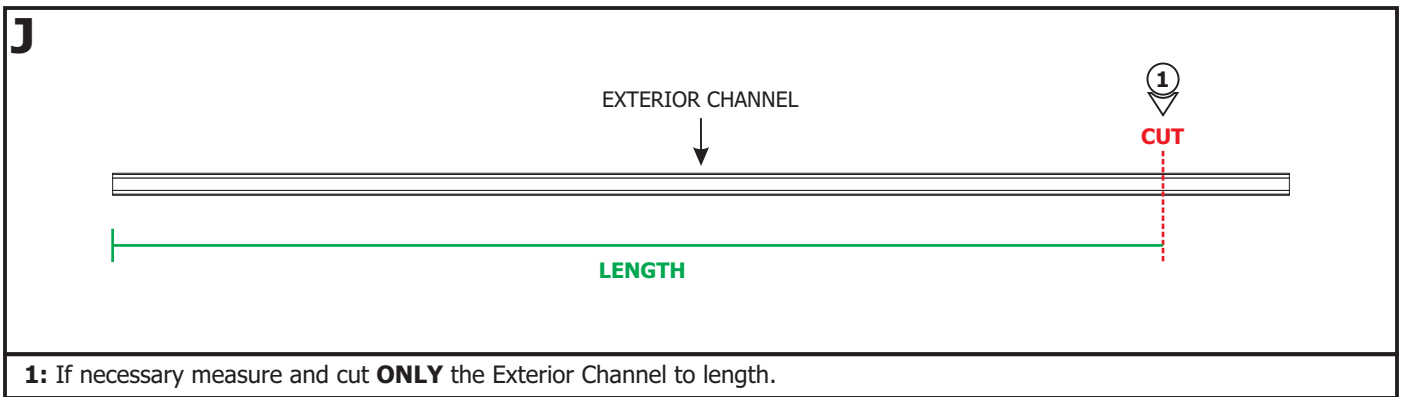
- 6:** Connect the white and brown wires of the power cable to the +24VDC wire of the power supply with a wire nut.
- 7:** Connect the blue and black wires of the power cable to the -24VDC wire of the power supply with a wire nut.
- 8:** Refer to the wiring diagram on page 6 and the instructions provided with the power supply to complete the installation.

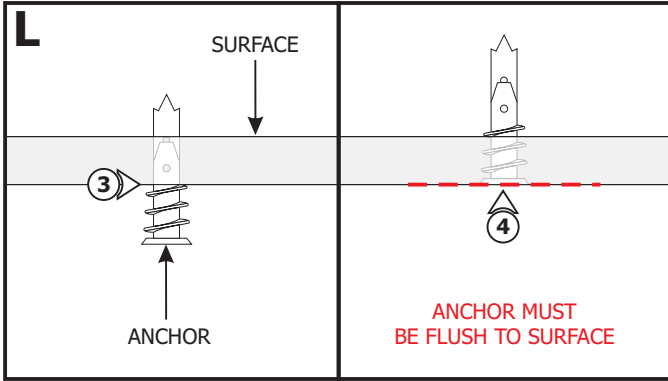
- 9:** To connect additional Flex Neon, align and push the female connector barrel of one Flex Neon into the male barrel connector barrel of the next one.
- 10:** Twist the connector nut to lock in place. Repeat for any additional sections.

NOTE: Ensure that additional Flex Neon are properly supported and powered.



Section Three: Install the Flex Neon with Exterior Channel





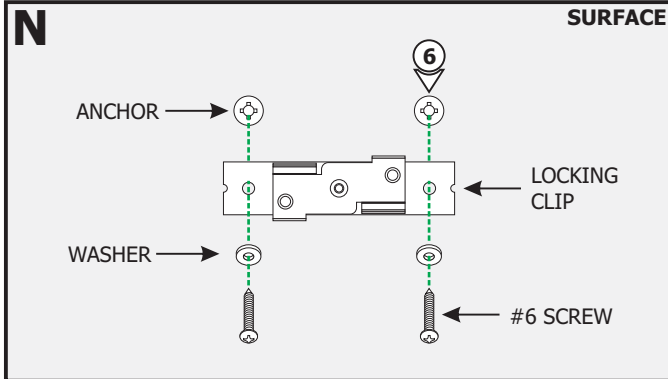
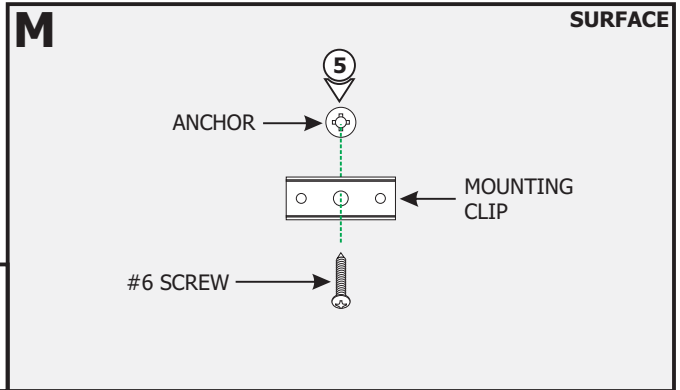
NOTE: Steps 3 and 4 are for drywall mounting. Omit these steps if mounting to a wood surface directly.

3: Tap the anchors onto the marked points up to the threaded portion with a hammer.

4: Screw in the threaded portion of the anchors with a Phillips screwdriver.

Mounting Clips:

5: Line up the mounting clip to the anchor and secure by tightening the screw through the center clip hole into the anchor.

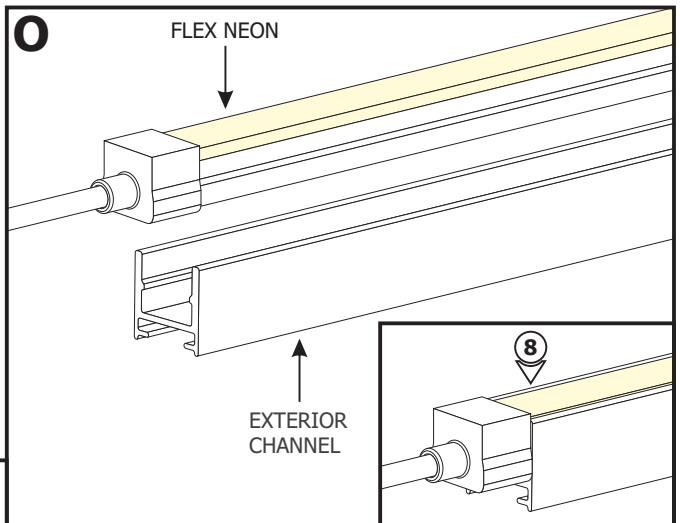


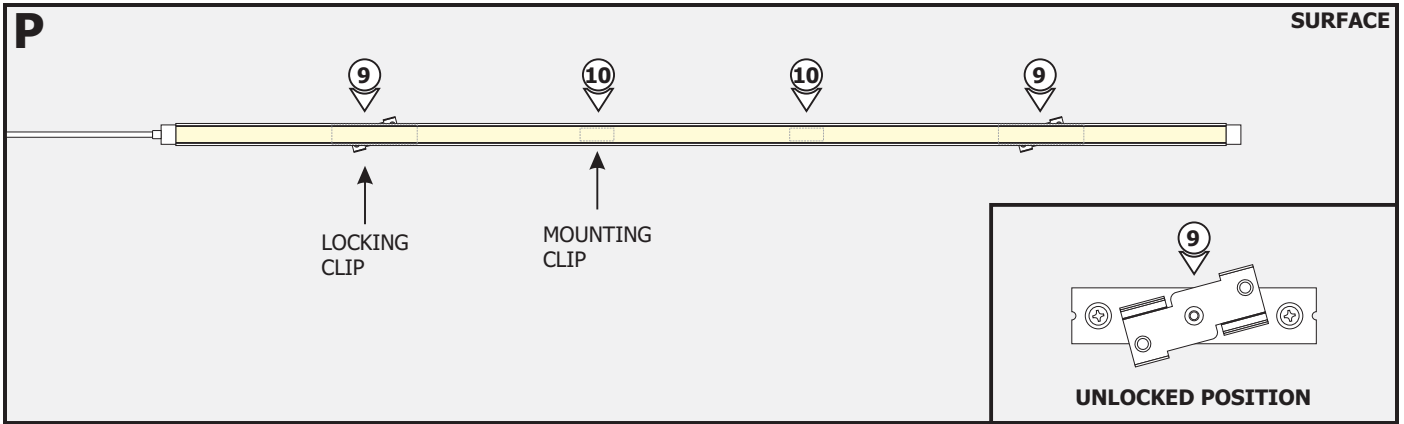
Locking Clips:

6: Line up the locking clips to the anchors and secure them by tightening the two #6 screws through the washers and clip holes into the anchors.

7: Repeat steps 3 through 6 for the remaining mounting and locking clips.

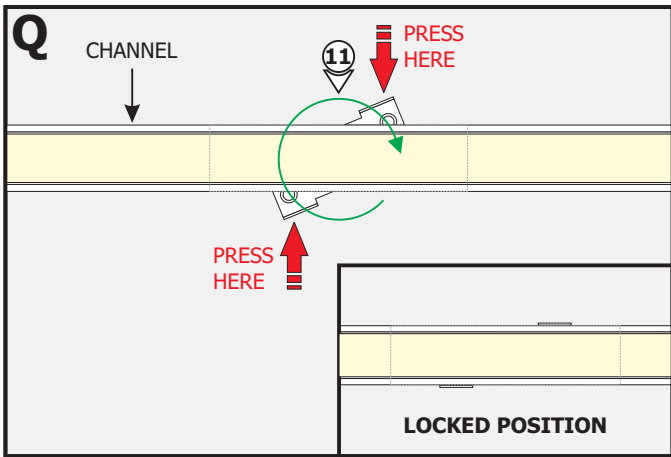
8: Push the Flex Neon inside the Exterior Channel, leaving the end cap outside of the Exterior Channel.





9: Make sure the locking clips are in the unlocked position before installing the fixture to the mounting clips.

10: Carefully SNAP the Exterior Channel onto the mounting clips.



11: Twist each locking clip to lock the channel in place.

12: Refer to Section Two to connect to power.

General Wiring Diagram

