



1718 W. Fullerton Chicago, IL 60614
 Ph: 773.770.1195 • Fax: 773.935.5613
 www.PureEdgeLighting.com • info@PureEdgeLighting.com
 © 2016 PureEdge Lighting. All Rights Reserved.

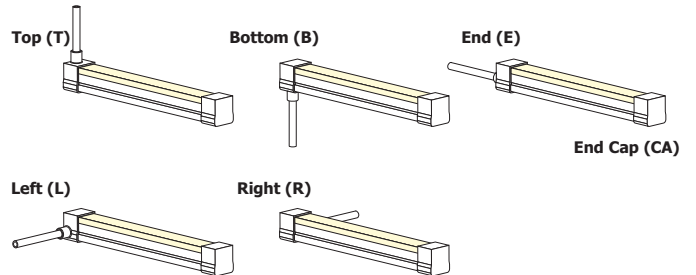
Installation Instructions for Flex Neon LRT7 24VDC Outdoor Wet Location

FN-LRT7-__

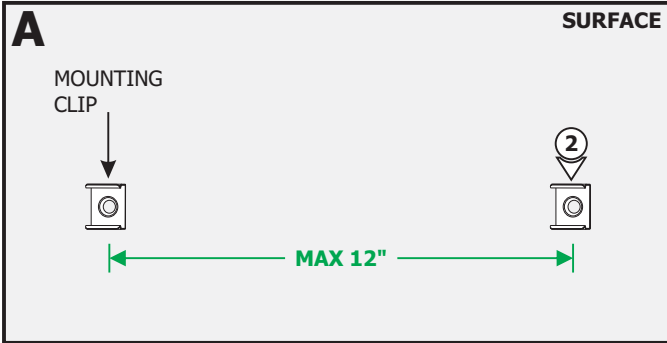
IMPORTANT INFORMATION

- This instruction shows a typical installation.
- The Outdoor Flex Neon is an IP67 rated wet location fixture featuring water tight barrel connections.
- This product bends right to left or left to right.

SAVE THESE INSTRUCTIONS!



Section One: Install the Flex Neon

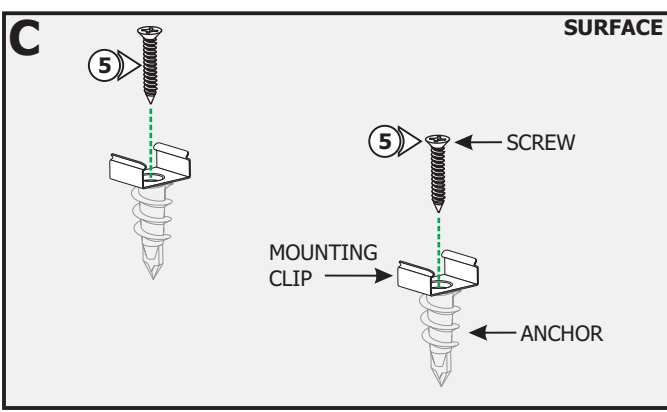
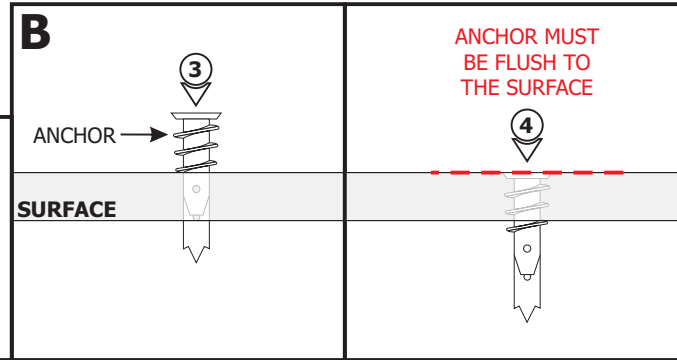


NOTE: Omit this Section if using the Flexible Aluminum Channel. Refer to Section Three.

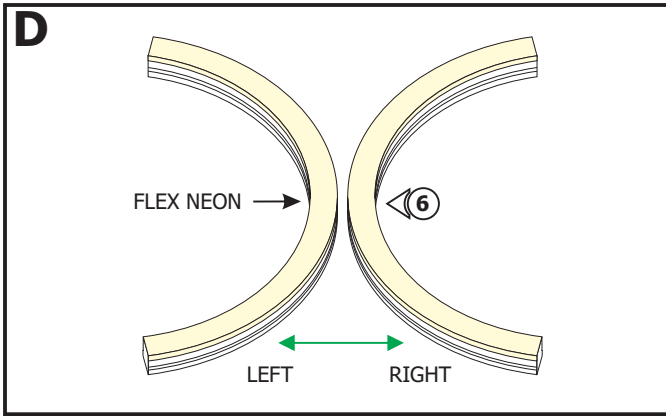
- 1: Determine the location for the Flex Neon.
- 2: Mark the location of the mounting clips. Mounting clips must be maximum 12" apart from each other (measure from the center of the mounting clip).

NOTE: Steps 3 and 4 are for drywall mounting. Omit these steps if mounting to a wood surface directly.

- 3: Tap the anchors onto the marked points up to the threaded portion with a hammer.
- 4: Screw in the threaded portion of the anchors with a Phillips screwdriver.

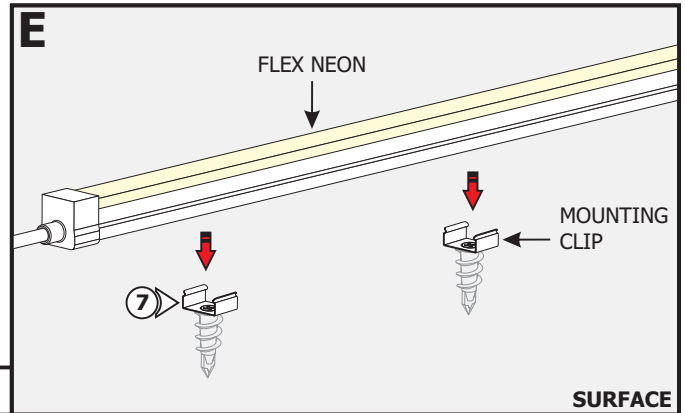


- 5: Line up the mounting clips to the anchors and secure it to the anchors by tightening the #8-32 screw to each clip.

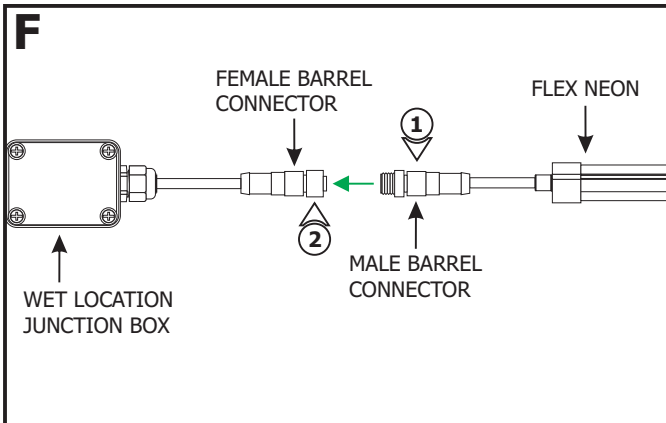


6: If necessary, bend the Flex Neon **ONLY** right to left or left to right.

7: Insert the Flex Neon into each mounting clip.



Section Two: Connect to Power



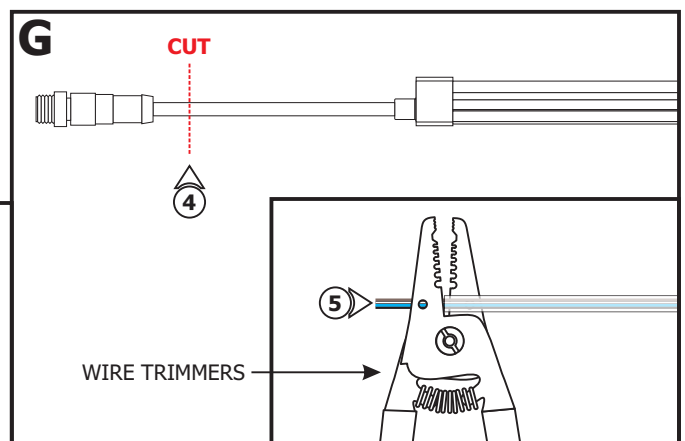
NOTE: Outdoor electrical connections must be made inside a waterproof junction box or using waterproof wire nut connections.

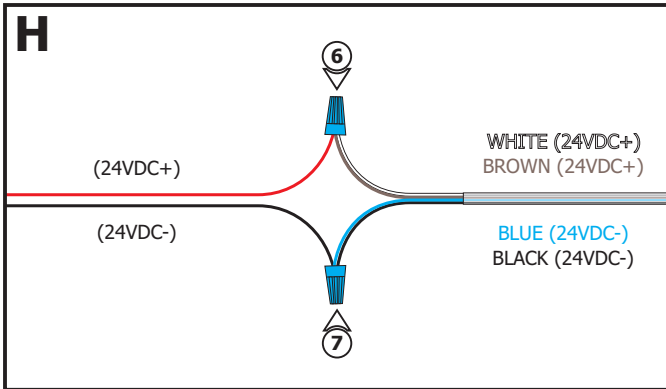
NOTE: Steps 1 through 3 are for the Wet Location Junction Box with Power Cable.

- 1:** Refer to the instructions provided with the wet location junction box to connect to the power supply.
- 2:** Align and push the male barrel connector of the Flex Neon into the female barrel connector going to the power supply.
- 3:** Twist the connector nut to lock in place.

NOTE: Omit steps 4 through 7 if using wet location junction box.

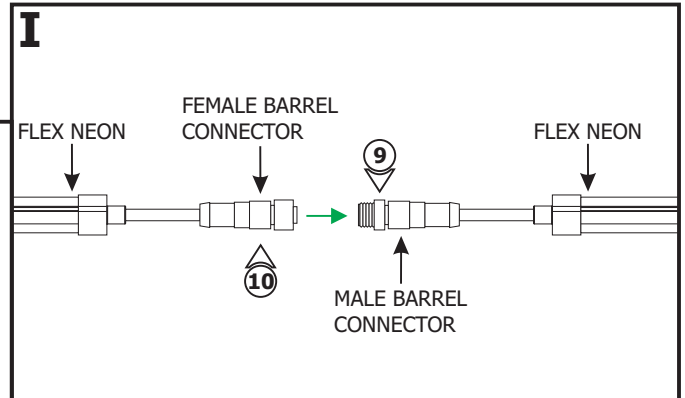
- 4:** Cut the end of the power cord that is going to be connected to power and discard the unused connector.
- 5:** Use AWG wire trimmers to remove the outer insulation from wire harness where electrical connection will be made.



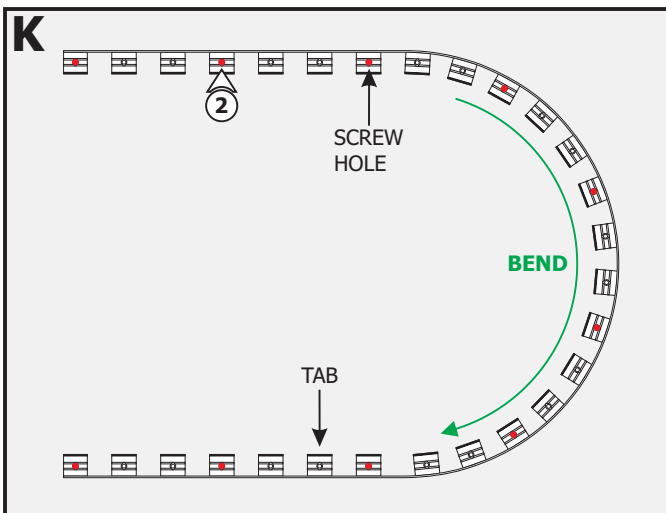
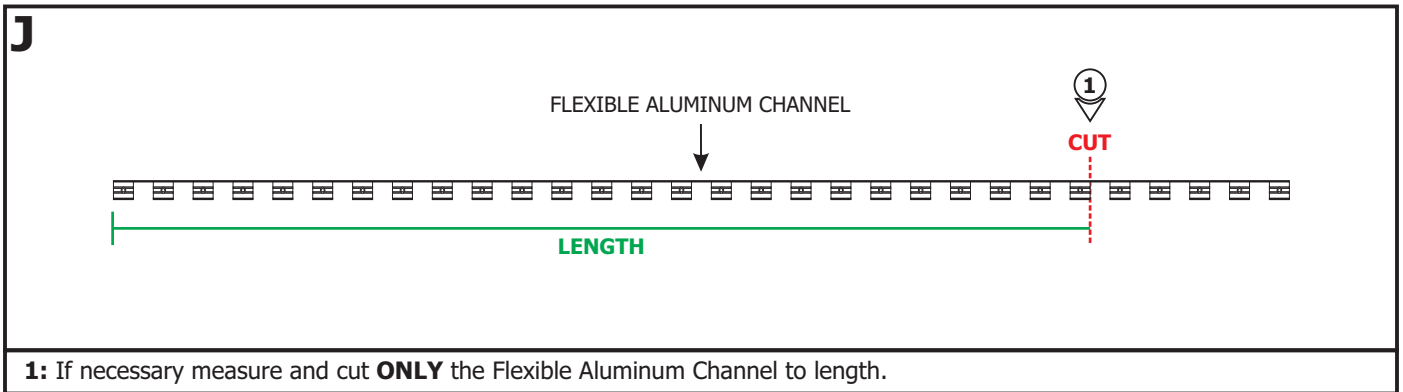


- 6:** Connect the white and brown wires of the power cable to the +24VDC wire of the power supply using a wire nut.
- 7:** Connect the blue and black wires of the power cable to the -24VDC wire of the power supply using a wire nut.
- 8:** Refer to the wiring diagram on page 6 and the instructions provided with the power supply to complete the installation.

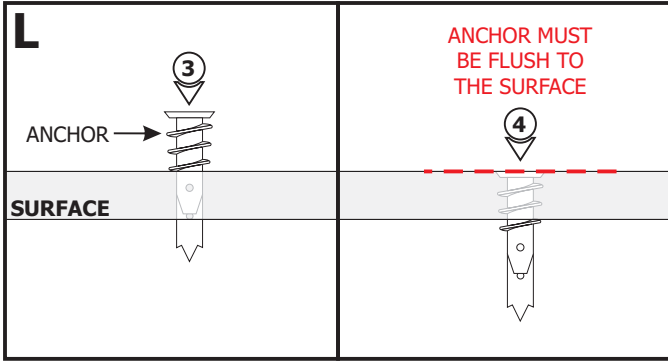
- 9:** To connect additional Flex Neon, align and push the female barrel connector of one Flex Neon into the male barrel connector of the next one.
 - 10:** Twist the connector nut to lock in place. Repeat for any additional sections.
- NOTE:** Ensure that additional Flex Neon are properly supported and powered.



Section Three: Install the Flex Neon with Flexible Aluminum Channel



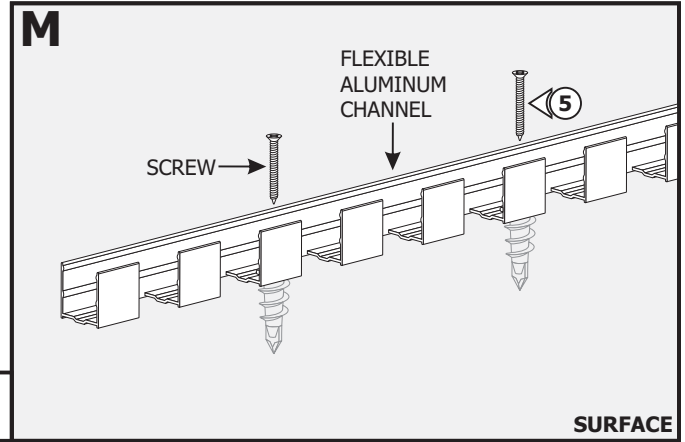
- 2:** Determine the location of the Flexible Aluminum Channel and mark every fourth tab screw holes.
- NOTE:** The Flexible Aluminum channel bends in both directions. For simple curves or circles, it is recommended to bend the channel toward the tabs.



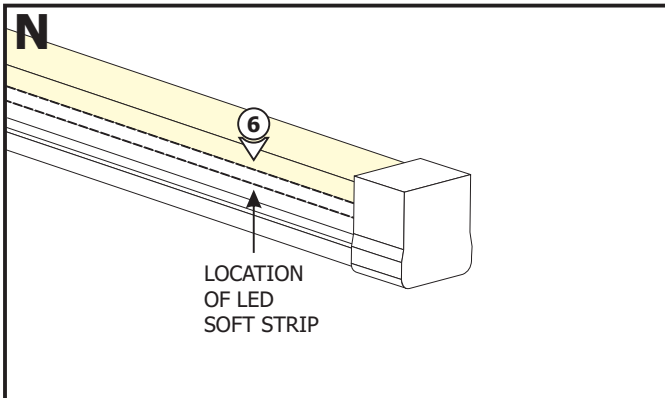
NOTE: Steps 3 and 4 are for drywall mounting. Omit these steps if mounting to a wood surface directly.

3: Anchors are not provided. Tap the anchors onto the marked points up to the threaded portion with a hammer.

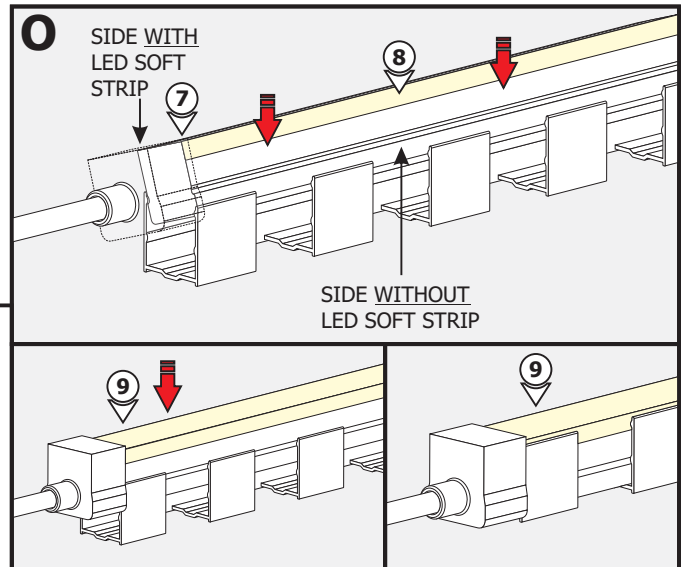
4: Screw in the threaded portion of the anchors with a Phillips screwdriver.



5: Secure the Flexible Aluminum Channel to the anchors using screws.



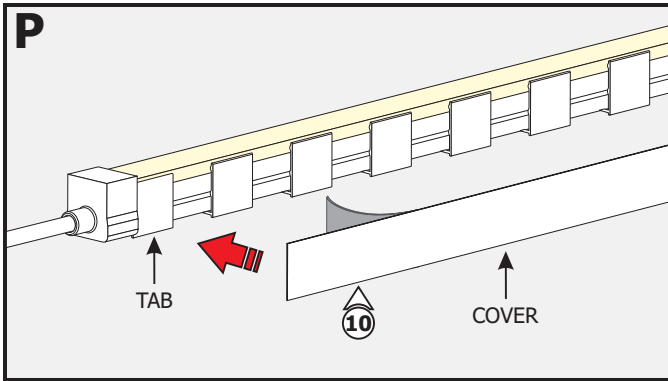
6: Identify the side of the Flex Neon with a thin white strip that indicates the location of the LED Soft Strip.



7: Place the side with LED Soft Strip on an angle on top of the Flexible Aluminum Channel.

8: Slightly push down the side without LED Soft Strip inside the Flexible Aluminum Channel.

9: Carefully push the Flex Neon completely inside the Flexible Aluminum Channel, leaving the end cap outside of the channel.



10: Remove the backing from the channel cover. Firmly press down on the Flexible Aluminum Channel tabs while removing the rest of the backing.

General Wiring Diagram

