



1718 W. Fullerton Chicago, IL 60614
 Ph: 773.770.1195 • Fax: 773.935.5613
 www.PureEdgeLighting.com • info@PureEdgeLighting.com
 © 2016 PureEdge Lighting. All Rights Reserved.

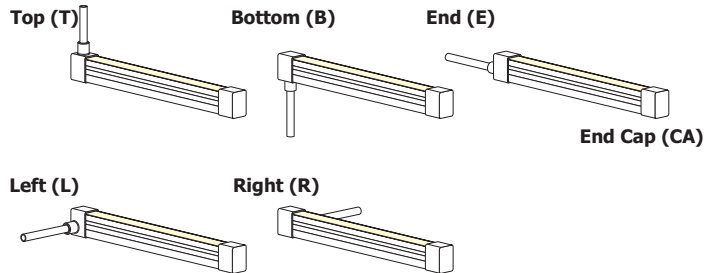
Installation Instructions for Flex Neon LRF5 24VDC Outdoor Wet Location

FN-LRF5-__

IMPORTANT INFORMATION

- This instruction shows a typical installation.
- The Outdoor Flex Neon is an IP67 rated wet location fixture featuring water tight barrel connections.
- This product bends right to left or left to right.

SAVE THESE INSTRUCTIONS!

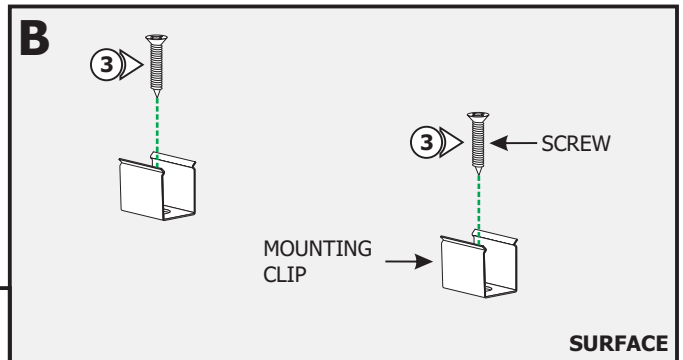


Section One: Install the Flex Neon

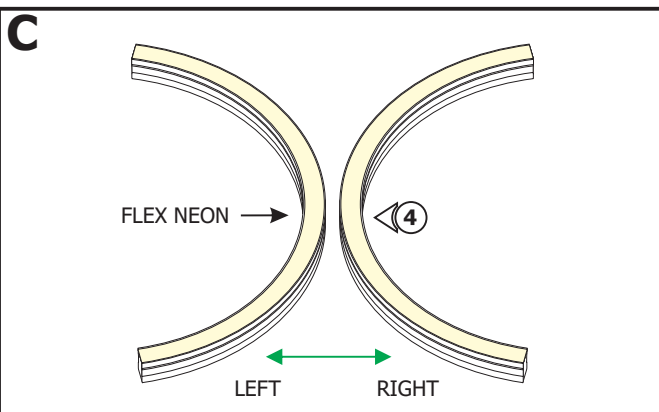


NOTE: Omit this Section if using the Flexible Aluminum Channel. Refer to Section Three.

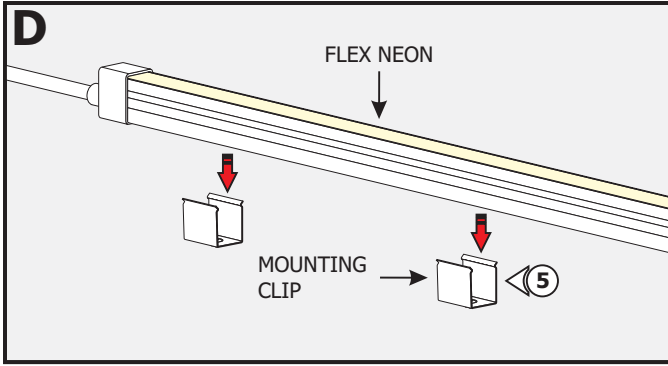
- 1: Determine the location for the Flex Neon.
- 2: Mark the location of the mounting clips. Mounting clips must be maximum 12" apart from each other (measure from the center of the mounting clip).



- 3: Secure the mounting clips to a wood surface by tightening the screws to each clip.

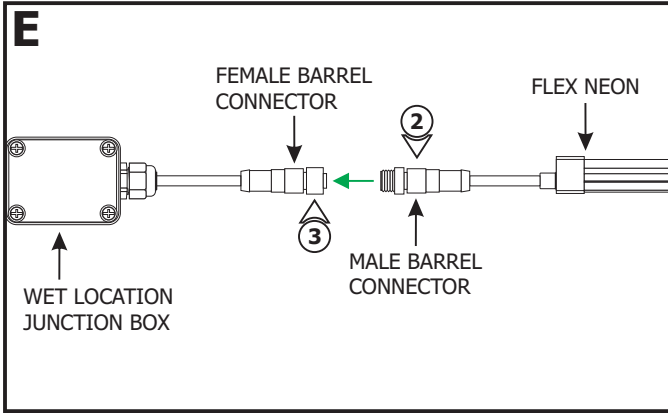


- 4: If necessary, bend the Flex Neon **ONLY** right to left or left to right.



5: Insert the Flex Neon into each mounting clip.

Section Two: Connect to Power



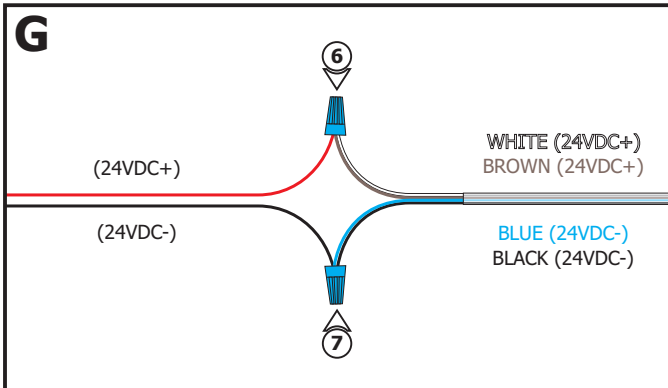
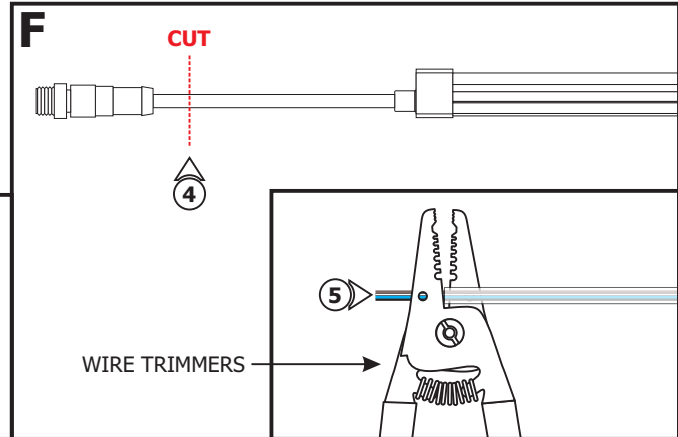
NOTE: Outdoor electrical connections must be made inside a waterproof junction box or using waterproof wire nut connections.

NOTE: Steps 1 through 3 are for the Wet Location Junction Box with Power Cable.

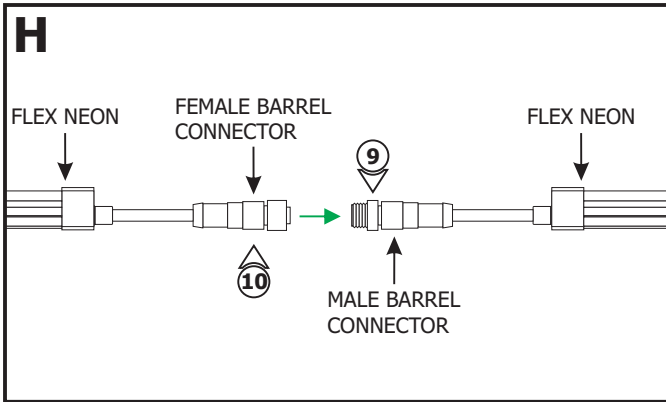
- 1:** Refer to the instructions provided with the wet location junction box to connect to the power supply.
- 2:** Align and push the male barrel connector of the Flex Neon into the female barrel connector going to the power supply.
- 3:** Twist the connector nut to lock in place.

NOTE: Omit steps 4 through 7 if using wet location junction box.

- 4:** Cut the end of the power cord that is going to be connected to power and discard the unused connector.
- 5:** Use AWG wire trimmers to remove the outer insulation from wire harness where electrical connection will be made.



- 6:** Connect the white and brown wires of the power cable to the +24VDC wire of the power supply using a wire nut.
- 7:** Connect the blue and black wires of the power cable to the -24VDC wire of the power supply using a wire nut.
- 8:** Refer to the wiring diagram on page 5 and the instructions provided with the power supply to complete the installation.

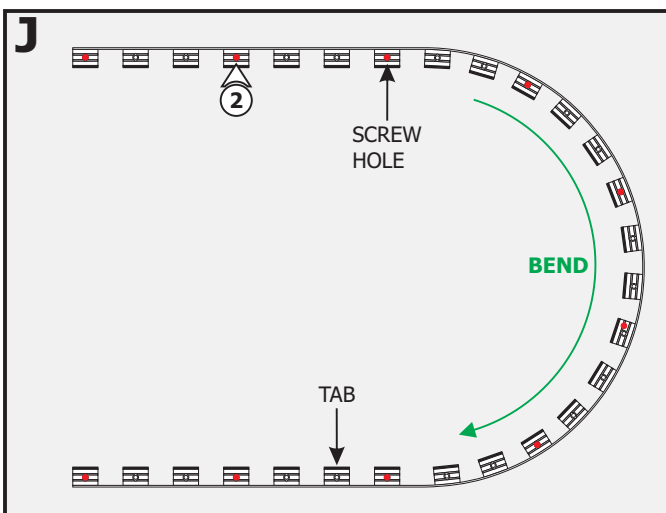
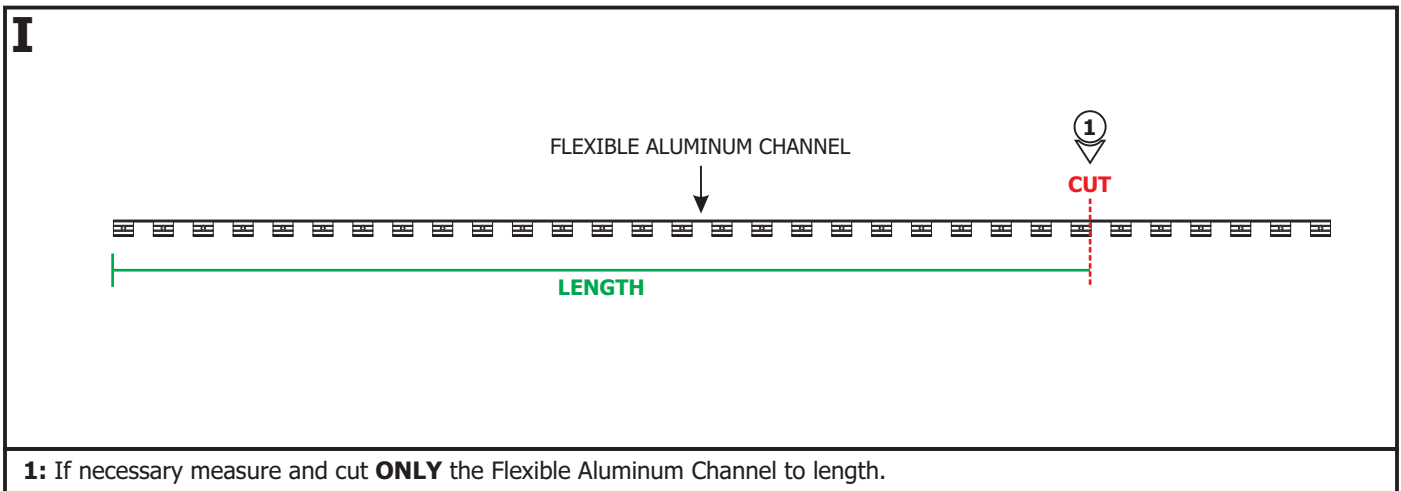


9: To connect additional Flex Neon, align and push the female barrel connector of one Flex Neon into the male barrel connector of the next one.

10: Twist the connector nut to lock in place. Repeat for any additional sections.

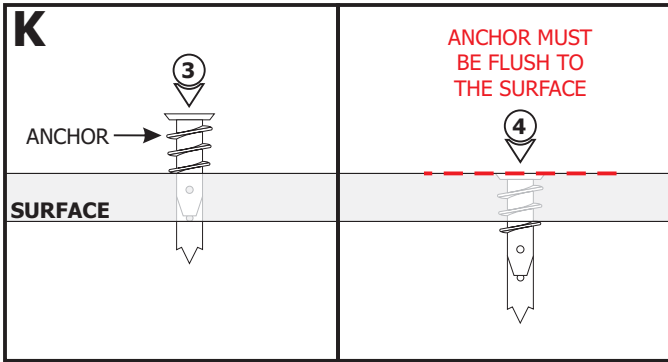
NOTE: Ensure that additional Flex Neon are properly supported and powered.

Section Three: Install the Flex Neon with Flexible Aluminum Channel



2: Determine the location of the Flexible Aluminum Channel and mark every fourth tab screw holes.

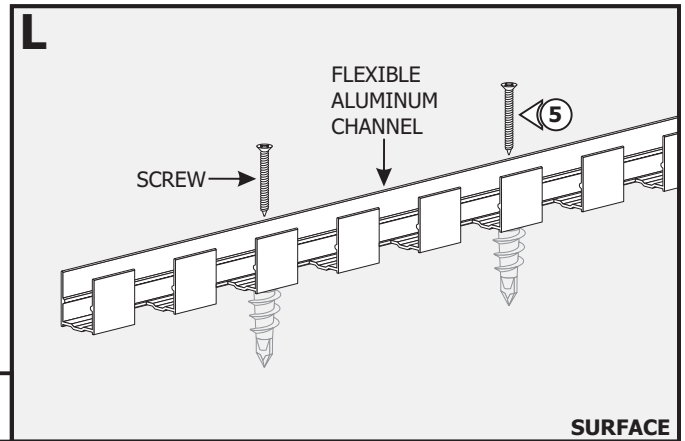
NOTE: The Flexible Aluminum channel bends in both directions. For simple curves or circles, it is recommended to bend the channel toward the tabs.



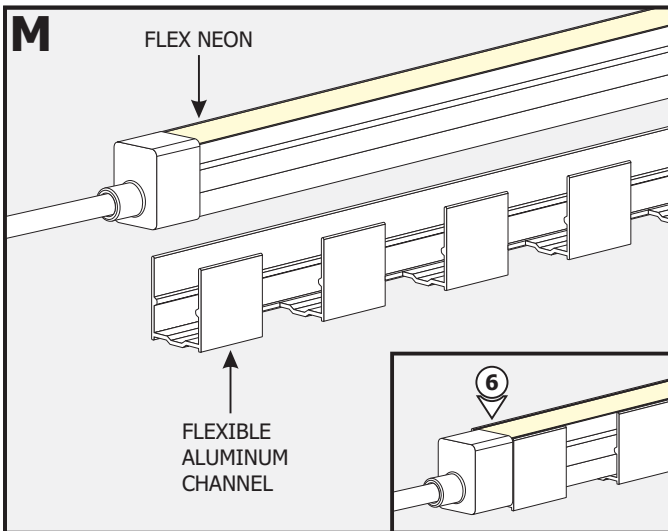
NOTE: Step 3 and 4 are for drywall mounting. Omit these steps if mounting to a wood surface directly.

3: Anchors are not provided. Tap the anchors onto the marked points up to the threaded portion with a hammer.

4: Screw in the threaded portion of the anchors with a Phillips screwdriver.



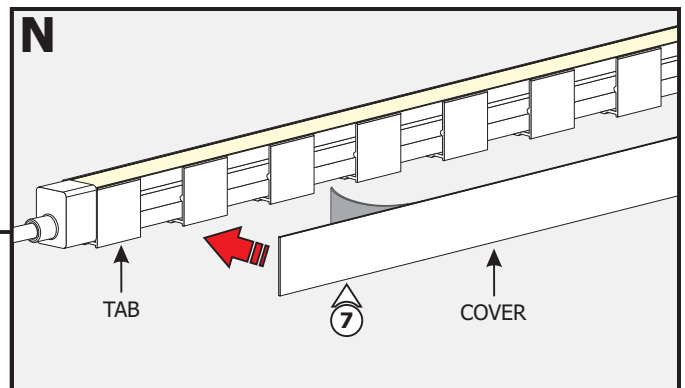
5: Secure the Flexible Aluminum Channel to the anchors using screws.



6: Carefully push the Flex Neon completely inside the Flexible Aluminum Channel, leaving the end cap outside of the channel.

7: Remove the backing from the channel cover. Firmly press down on the Flexible Aluminum Channel tabs while removing the rest of the backing.

8: Refer to Section Two to connect to power.



General Wiring Diagram

