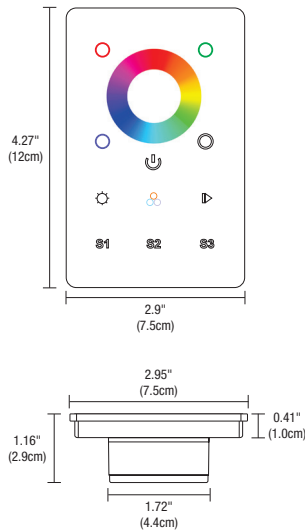
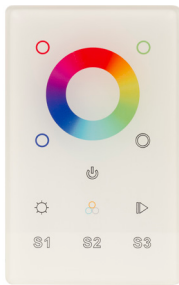


# DMX 1 ZONE RGBW TOUCH CONTROLLER

REV.04.09.19



### Description:

Full touch controller offers fast and accurate color tone adjustment and independent brightness control. The 1 zone controller can adjust RGB and RGBW LEDs smoothly and accurately. Independent smooth dimming of each channel enables the controller to achieve millions of colors. For indoor applications only, and includes a Power Adapter to operate the controller.

### Applications:

Indoor

### Installation:

Fits in a single gang junction box, not to be used with a multi gang box

### Power Input:

120-240VAC

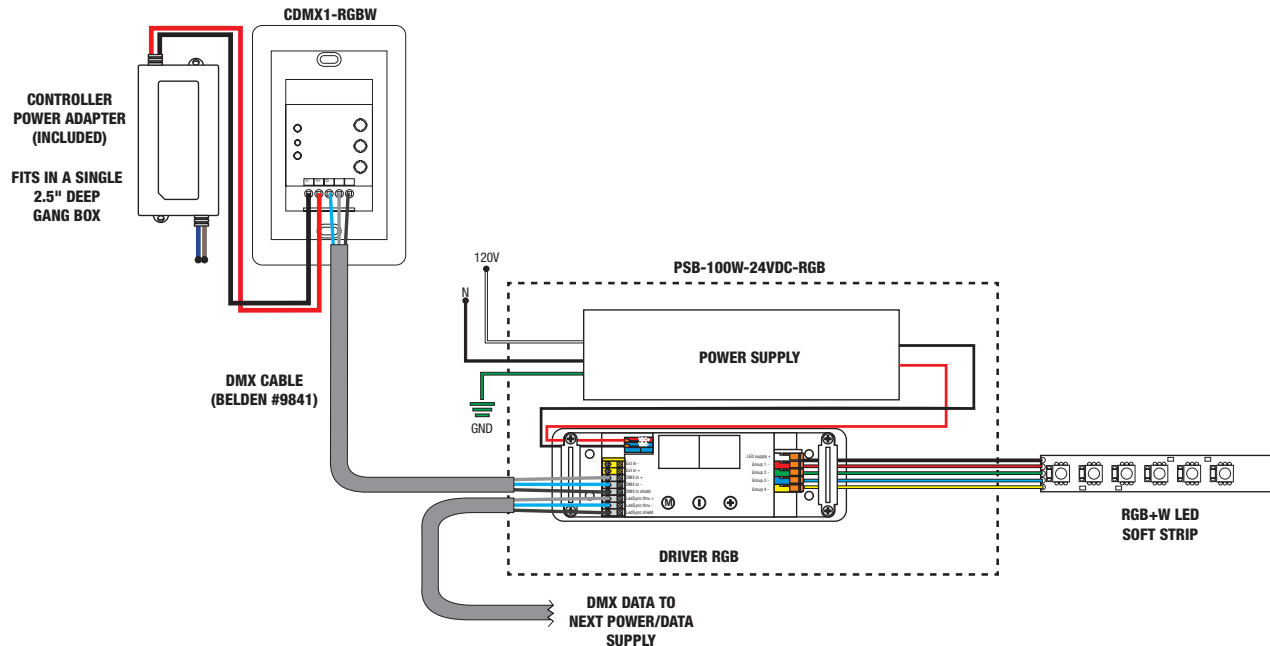
### Compatible Power Supplies (Sold Separately):

- PSB-100W-24VDC-RGB 100W output, 120-277V Input
- PSB-200W-24VDC-RGB 100W output, 120-277V Input
- PSB-400W-24VDC-RGB 100W output, 120-277V Input
- PSB-2X100W-24VDC-RGB 2x100W output, 120-277V Input
- PSB-3X100W-24VDC-RGB 3x100W output, 120-277V Input
- PSB-4X100W-24VDC-RGB 4x100W output, 120-277V Input

### Output Signal:

USITT DMX 512 (1990)

Product	Type	Finish
<b>CDMX1</b>	<b>RGBW</b>	<b>WH</b>
CDMX1 DMX 1 Zone Touch Controller	RGBW RGB & RGBW	WH White



PROJECT	FIXTURE TYPE	DATE
---------	--------------	------