



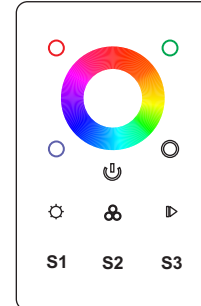
1718 W. Fullerton Chicago, IL 60614  
 Ph: 773.770.1195 • Fax: 773.935.5613  
 www.PureEdgeLighting.com • info@PureEdgeLighting.com  
 © 2016 PureEdge Lighting. All Rights Reserved.

## Installation Instructions for RGBW Touch Controller

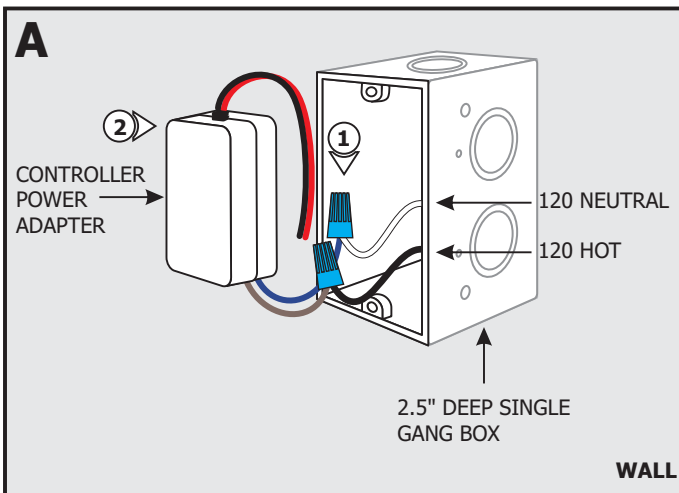
### IMPORTANT INFORMATION

- This instruction shows a typical installation.
- This product mounts to a deep single gang box.
- This product works with any DMX controller.
- This product must be installed by a qualified electrician.
- Ensure that the cables are secured tightly in the connector.
- Check if the output voltage of any LED power supplies used comply with the working voltage of the product.

**SAVE THESE INSTRUCTIONS!**

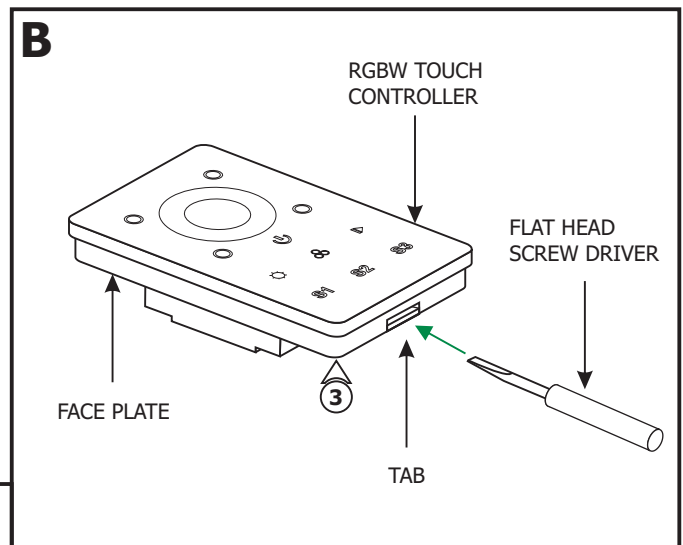


## Install the Controller

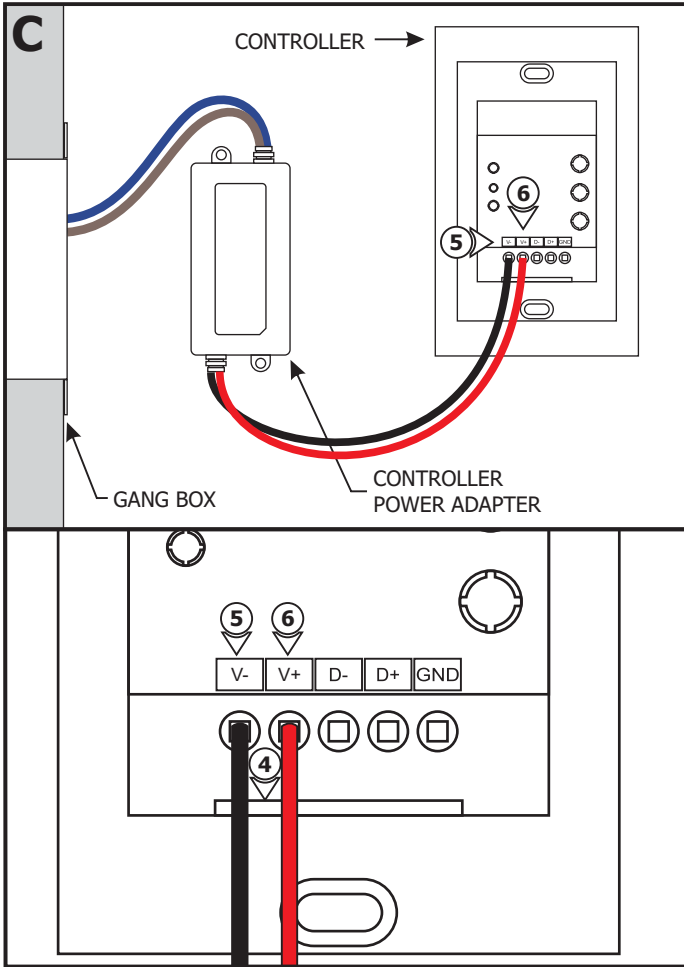


**NOTE:** Before beginning any electrical work, ensure that power to the electrical box is turned off.

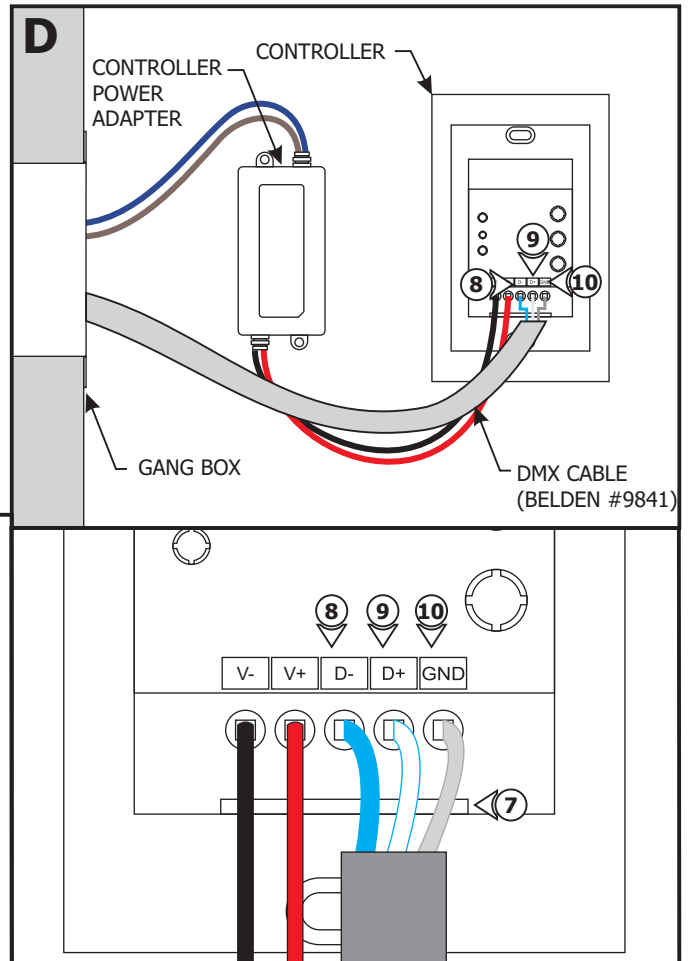
- 1: Connect the brown and blue wires of the controller power adapter to the 120 volt hot and neutral wires with wire nuts respectively.
- 2: Place the controller power adapter inside the deep single gang box.



- 3: Pry the face plate of the RGBW Touch Controller using a flat head screw driver.

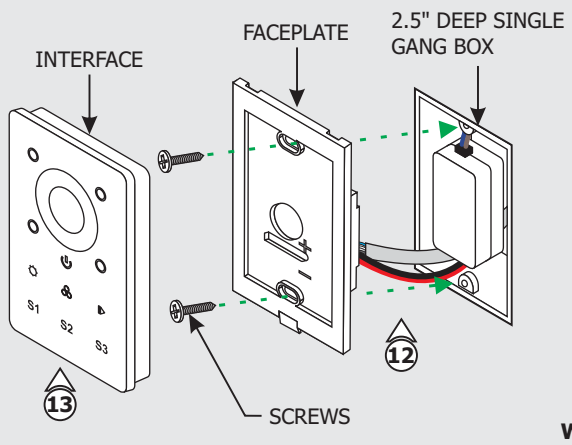


- 4:** Loosen the screws under the "V-" and "V+" terminals of the controller with a flat head screw driver.
- 5:** Insert the black wire of the controller power adapter into the "V-" terminal and tighten the screw.
- 6:** Insert the red wire of the controller power adapter into the "V+" terminal and tighten the screw.



- 7:** Loosen the screws under the "D-," "D+" and "GND" terminals of the controller with a flat head screw driver.
- 8:** Insert one data wire (blue with white stripes wire) into the "D-" terminal and tighten the screw.
- 9:** Insert the second data wire (white with blue stripes wire) into the "D+" terminal and tighten the screw.
- 10:** Insert the third data wire (bare shield wire) into the "GND" terminal and tighten the screw.
- 11:** Refer to the instructions with the DMX power supply to connect the DMX wires completing the installation. See the wiring diagrams on pages 4 and 5.

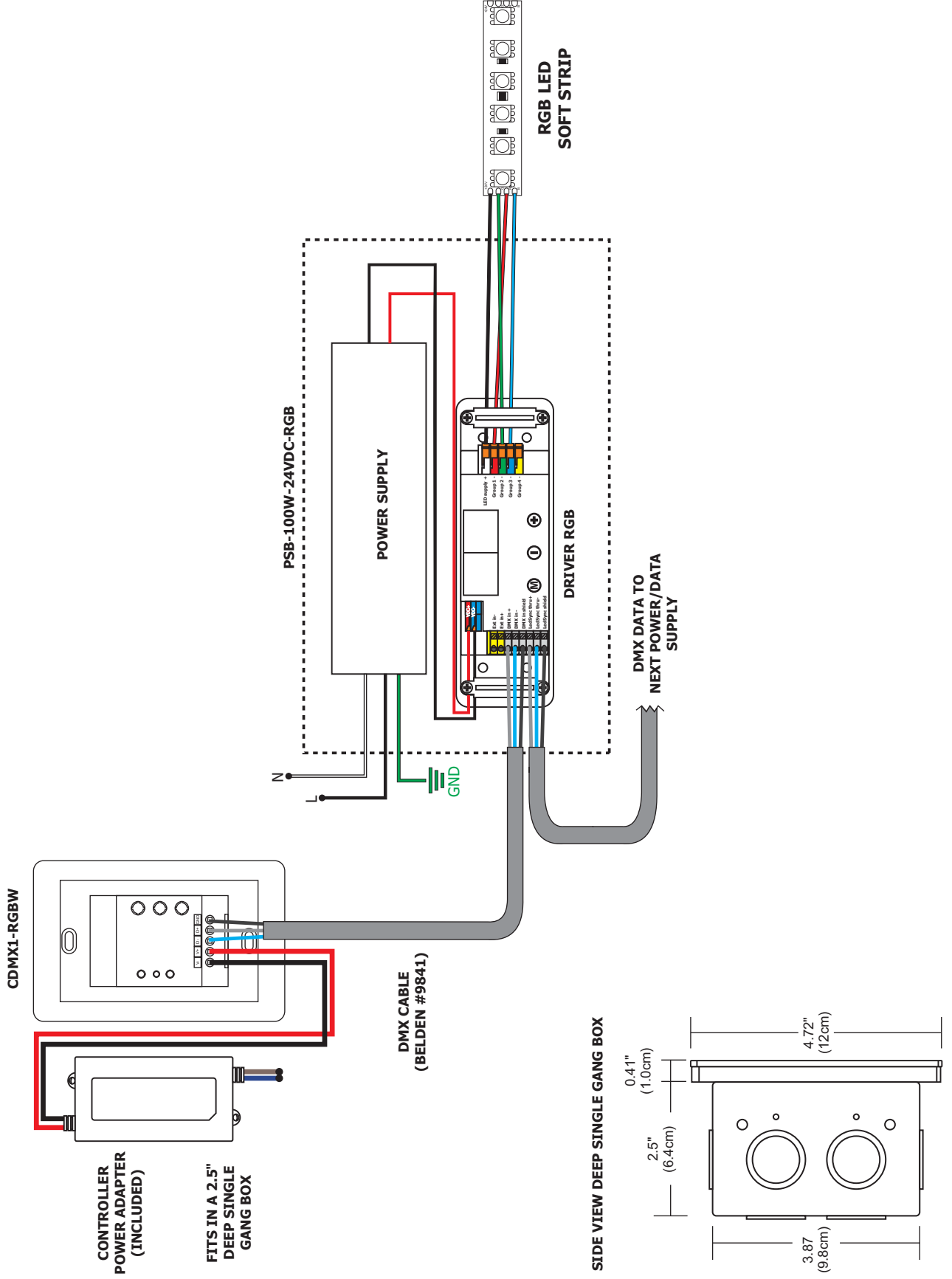
**E**



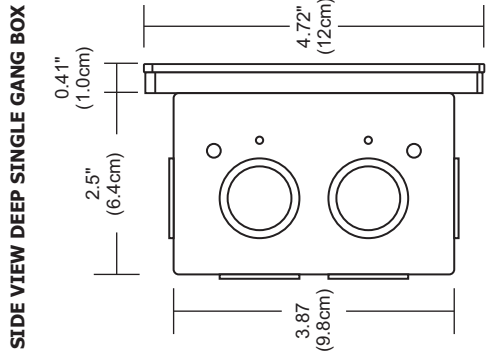
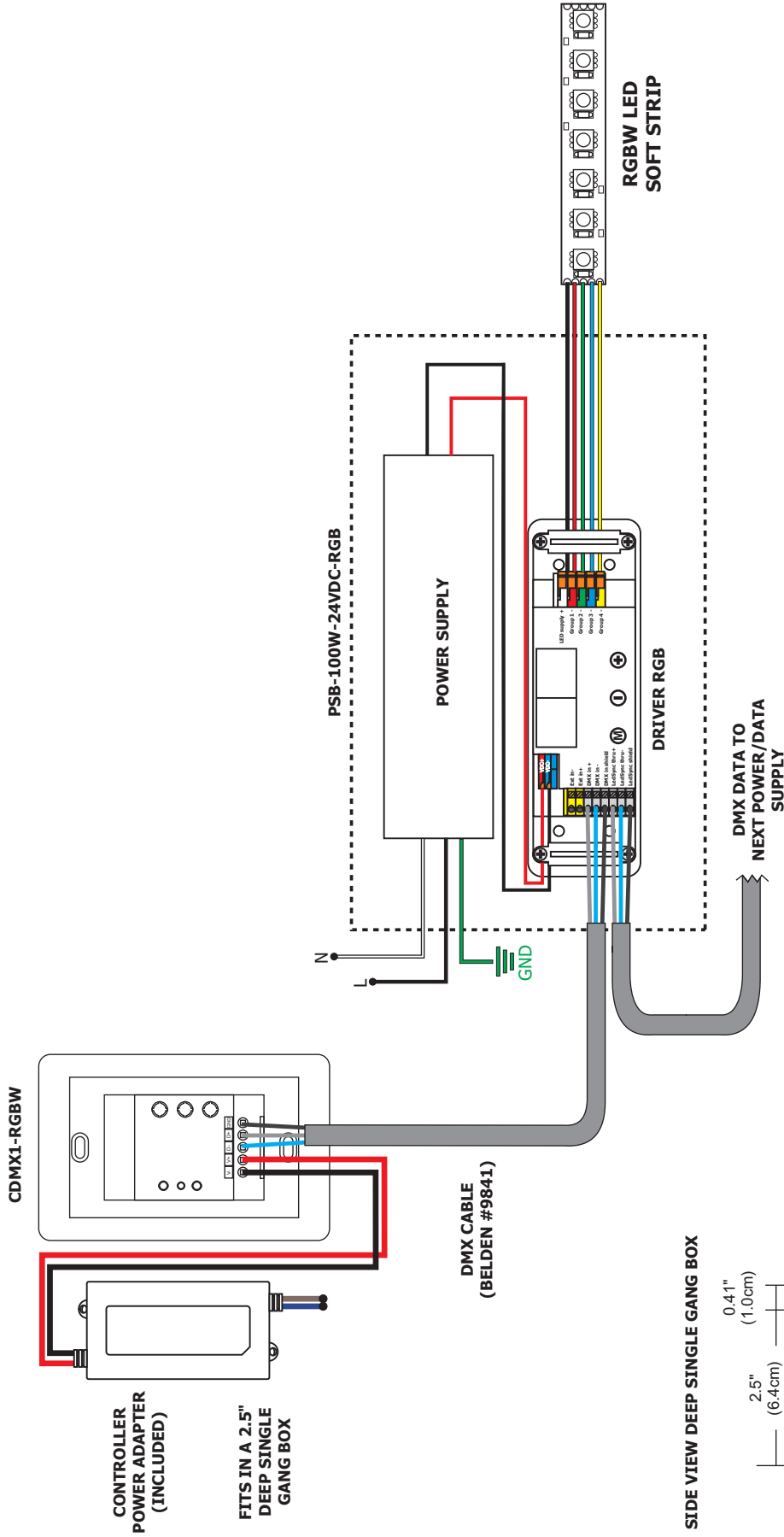
- 12:** Align the face plate with the deep single gang box and secure using the supplied screws.
- 13:** Align the interface with the face plate and press to secure into place.

**WALL**

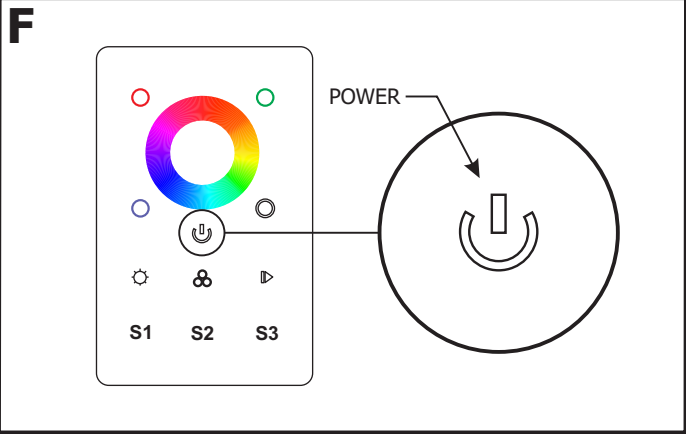
# CDMX1-RGBW Wiring Diagram with RGB LED Strip



# CDMX1-RGBW Wiring Diagram with RGBW LED Strip



# Operational Guide

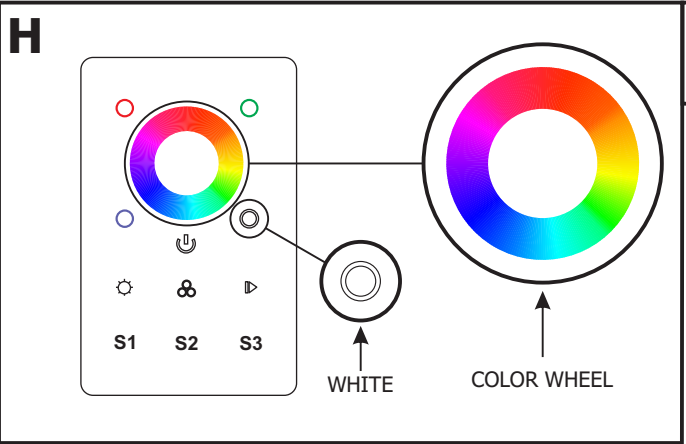
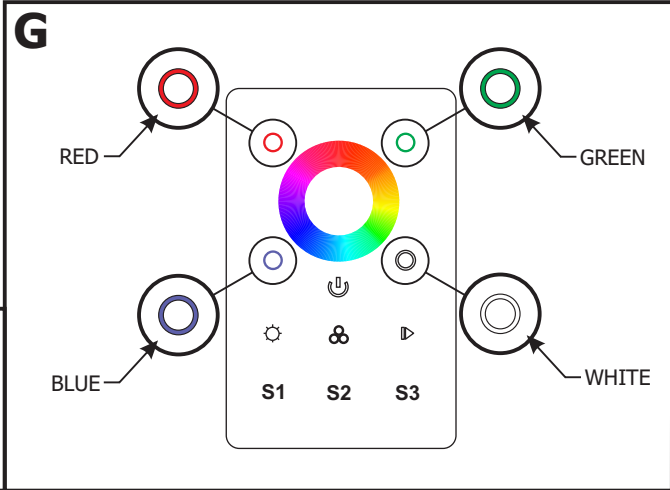


**NOTE:** The controller is a soft action device, expect two seconds response time.

**1:** Press the Power button to turn the device on and off.

**2:** Press the Red, Green, Blue, or White (this does not apply for RGB) button to turn each color on and off independently or together.

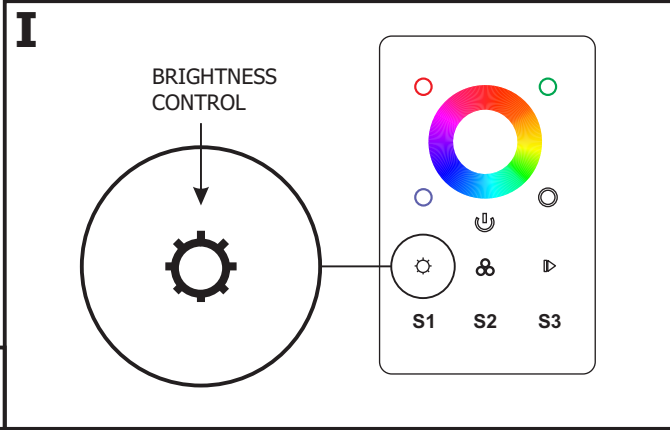
**3:** To adjust the brightness of each color, press and hold the color button.



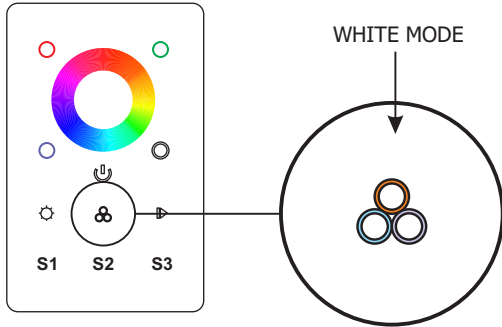
**4:** Scroll through the color wheel to set a specific color.

**5:** Add white color to the color mix if necessary (only RGBW).

**6:** Press and hold the Brightness Control button to dim down or dim up the color mix.



**J**



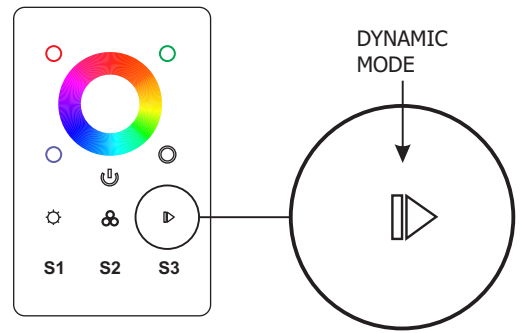
**7:** For RGB only, choose one of the three settings of warm, neutral and cool white by pressing the white mode button repeatedly.

**8:** Choose additional white by pressing the white button (only RGBW).

**9:** Press the Dynamic Mode button for a preset show mode. Once the mode is desired then press again to hold that mode.

**10:** Press and hold the Dynamic Mode button to adjust the speed of the colors changing.

**K**



**11:** Press and hold S1, S2, or S3 for over two seconds to save settings.

**12:** Tap once to activate the saved setting.

**L**

