



BSF-MR16-12V-FL-30D-BK
 SHOWN WITH BSF-MR16-ECL



BSF-MR16-12V-FL-30D-BK
 SHOWN WITH BSF-MR16-SNT



BSF-MR16-12V-FL-27D-SN



BSF-MR16-12V-FL-27D-SN
 SHOWN WITH BSF-MR16-ECL



BSF-MR16-12V-FL-27D-WH
 SHOWN WITH BSF-MR16-SNT



BSF-MR16-12V-FL-27D-WH

DESCRIPTION

The BIG-Shorty yields BIG illumination in a shorty profile. The BIG-Shorty offers an adjustable floor lamp that incorporates a 12 volt LED MR16 lamp. Offered in 24°(NF) and 36° (FL) beam spreads and two Warm Dim color temperatures that dim down to 1800K. May also be ordered without a lamp, ordering code: BSF-MR16-12V-__ . For custom quotes and layout assistance, send your drawings and ideas to our design team: design@PureEdgeLighting.com .

SIZE: 4.5" high x 2.36 Diameter

FINISH: White, Black, or Satin Nickel

WEIGHT: 2 lb (0.9 kg)

LAMP SPECIFICATION

27D — 2700K dims to 1800K Incandescent White, Sol-Light MR16, 97+ CRI

30D — 3000K dims to 1800K Warm White, Sol-Light MR16 97+ CRI

TRANSFORMER

Built in plug-in LED driver. Soft start short circuit and overload protected. 10 watt max. For use with 12 volt LED MR16. Output Type Class 2.

INPUT: 120v AC, 0.6A 50/60Hz

OUTPUT: 12v AC, 0.08A MAX

Suitable for Dry Locations. UL Listed E364143.

DIMMING

ELV Wall Dimmer



MR16-SNT



MR16-ECL

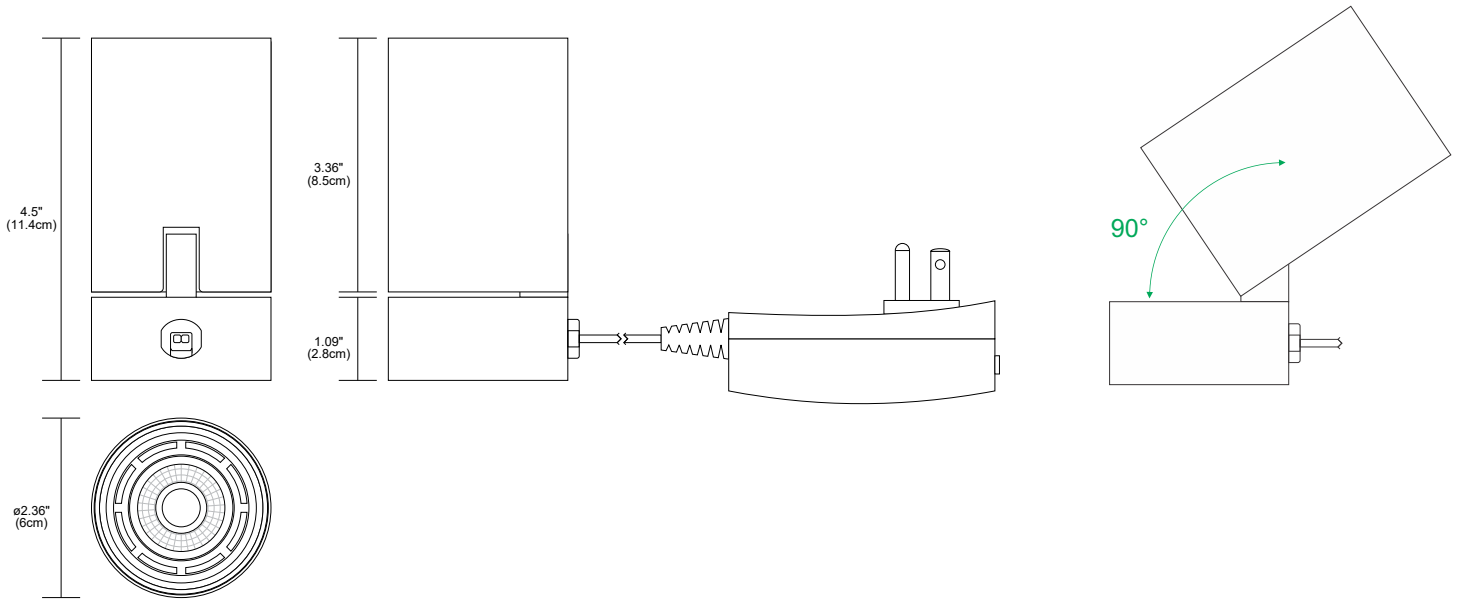
System	Lamp	Voltage	Beam Spread Lens*	Color Temperature*	Finish
BSF	MR16	12V	NF	27D	WH
BSF Big Shorty Adjustable Floor Lamp	MR16 MR16 Lamp Shape	12V 12 Volts	NF 24° Beam FL 36° Beam	27D 2700K Warm Dim 30D 3000K Warm Dim	WH White BK Black SN Satin Nickel

*Leave blank for no bulb

*Leave blank for no bulb

PROJECT	FIXTURE TYPE	DATE
---------	--------------	------

DIMENSIONS



ACCESSORIES



MR16-SNT



MR16-ECL



LF2.0-WF




LF2.0-VWF

Lamp	Accessory
MR16	ECL
MR16 MR16 Lamp Shape	ECL Egg crate Louver SNT Full Snoot

Lamp	Accessory
LF2.0	WF
LF2.0 2.0" Lens Film	WF 40° Wide Flood Beam Spread Film VWF 60° Very Wide Flood Beam Spread Film

SOL LIGHT WARM DIM

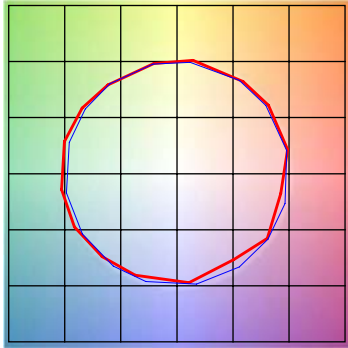
Brand	Ordering Code	Watts	CRI	R9	Beam Angle (Degrees)	Lamp Life (Hours)	CCT Warm Dim	Total Lumens	Lumens Per Watt	Voltage	Certification	Halogen Equivalent
 PureEdge Lighting	MR16-12V-8W-FL-27KWDH-SL	8	97+	85	36	30,000	2700K dims to 1800K	390	50	12V	Low flicker <1% CE, UL, NOM	50
	MR16-12V-8W-FL-30KWDH-SL	8	97+	85	36	30,000	3000K dims to 1800K	427	55	12V	Low flicker <1% CE, UL, NOM	50
	MR16-12V-8W-NF-27KWDH-SL	8	97+	85	24	30,000	2700K dims to 1800K	410	53	12V	Low flicker <1% CE, UL, NOM	50
	MR16-12V-8W-NF-30KWDH-SL	8	97+	85	24	30,000	3000K dims to 1800K	450	58	12V	Low flicker <1% CE, UL, NOM	50

PROJECT		FIXTURE TYPE		DATE	
---------	--	--------------	--	------	--

SORAA VIVID MR16 36° FL

3000K | Rf: 90.4 | Rg: 99.5

Color Vector Graphic



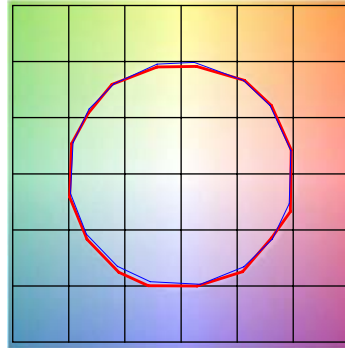
■ Test ■ Reference

HUE BIN	Rf	GRAPHIC SHIFTS %	
		CHROMA	HUE
1	94.4	1.0%	0.8%
2	94.6	2.1%	-1.1%
3	91.9	1.1%	-3.3%
4	91.9	2.1%	-2.1%
5	93.9	0.4%	-0.9%
6	95.2	0%	1.9%
7	93.4	2.7%	-0.7%
8	92.7	4.2%	0.1%
9	90.5	3.6%	-3.9%
10	84.3	2.3%	-9.2%
11	81.3	2.3%	-12.7%
12	81.3	-3.6%	-10.3%
13	90.5	-2.5%	-6.2%
14	88.5	-8.2%	-0.4%
15	96.2	-1.0%	0.3%
16	86.6	-5.4%	8.2%

SOL-LIGHT WARM DIM MR16 36° FL

3000K | Rf: 94.2 | Rg: 101.2

Color Vector Graphic



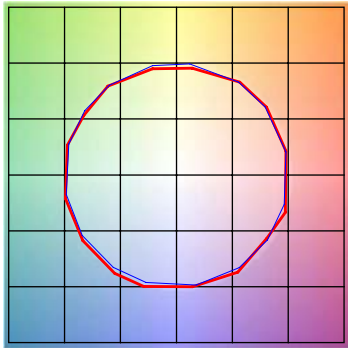
■ Test ■ Reference

HUE BIN	Rf	GRAPHIC SHIFTS %	
		CHROMA	HUE
1	96.0	0.3%	0.7%
2	96.8	0.9%	-0.8%
3	95.6	0.5%	-0.8%
4	93.1	-3.2%	-2.7%
5	95.7	-2.4%	0.4%
6	96.8	0.4%	1.6%
7	92.4	-1.4%	3.5%
8	96.8	1.2%	1.2%
9	94.0	1.4%	3.1%
10	92.6	2.1%	3.9%
11	92.2	3.7%	3.9%
12	92.4	3.9%	-0.9%
13	94.7	0.9%	-3.3%
14	93.4	3.0%	-3.2%
15	93.6	-1.1%	0.9%
16	90.2	2.4%	-6.7%

SORAA VIVID MR16 24° NF

3000K | Rf: 94.0 | Rg: 101.0

Color Vector Graphic



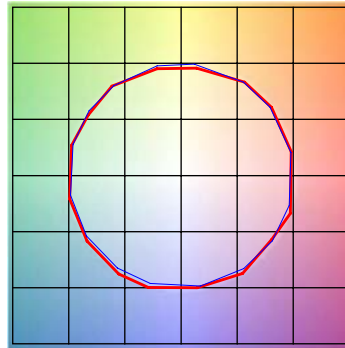
■ Test ■ Reference

HUE BIN	Rf	GRAPHIC SHIFTS %	
		CHROMA	HUE
1	95.9	0.3%	0.8%
2	96.8	0.8%	-0.9%
3	95.5	0.4%	-0.9%
4	92.7	-3.4%	-2.9%
5	95.6	-2.7%	0.4%
6	96.8	0.1%	1.6%
7	92.2	-1.6%	3.7%
8	96.6	1.1%	1.5%
9	93.7	1.4%	3.3%
10	92.4	2.2%	4.1%
11	92.2	3.8%	3.8%
12	92.4	3.9%	-1.1%
13	94.4	0.8%	-3.6%
14	93.3	2.8%	-3.4%
15	93.4	-1.4%	0.9%
16	90.3	2.2%	-6.7%

SOL-LIGHT WARM DIM MR16 24° NF

3000K | Rf: 94.2 | Rg: 101.2

Color Vector Graphic



■ Test ■ Reference

HUE BIN	Rf	GRAPHIC SHIFTS %	
		CHROMA	HUE
1	95.9	0.3%	0.8%
2	96.8	0.8%	-0.9%
3	95.5	0.4%	-0.9%
4	92.7	-3.4%	-2.9%
5	95.6	-2.7%	0.4%
6	96.8	0.1%	1.6%
7	92.2	-1.6%	3.7%
8	96.6	1.1%	1.5%
9	93.7	1.4%	3.3%
10	92.4	2.2%	4.1%
11	92.2	3.8%	3.8%
12	92.4	3.9%	-1.1%
13	94.4	0.8%	-3.6%
14	93.3	2.8%	-3.4%
15	93.4	-1.4%	0.9%
16	90.3	2.2%	-6.7%

PROJECT	FIXTURE TYPE	DATE
---------	--------------	------