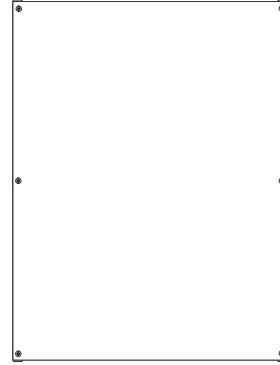




1718 W. Fullerton Chicago, IL 60614
 Ph: 773.770.1195 • Fax: 773.935.5613
 www.PureEdgeLighting.com • info@PureEdgeLighting.com
 © 2016 PureEdge Lighting. All Rights Reserved.

Installation Instructions for **Tunable White 0-10V 2X96 / 3X96 / 4X96 Watt LED Driver Two Channel Controls, #1 Intensity, #2 Color Temperature**



SAVE THESE INSTRUCTIONS!



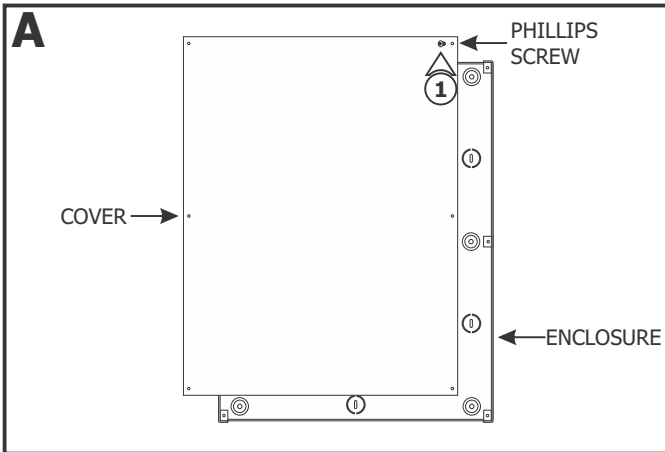
GENERAL INFORMATION

- **RISK OF FIRE:** This product must be installed by a qualified electrician. Turn the power to the electrical box off during installation. Read the "Important Safety Instructions " before installation.
- **NOTE:** To avoid overheating the power supply, install it in a ventilated remote location where air flows. Maintain proper spacing among power supplies when multiple power supplies are installed in the same remote location.
- This product is not suitable for wet locations. It is approved for the use at any height above the finished floor.
- A typical installation is shown. Specific installation must be in accordance with the local electrical codes.
- **TO REDUCE RISK OF FIRE,** it is important to wire the power supply for the system as described in this installation instruction.
- Load each power supply to **MAXIMUM 96** Watts.

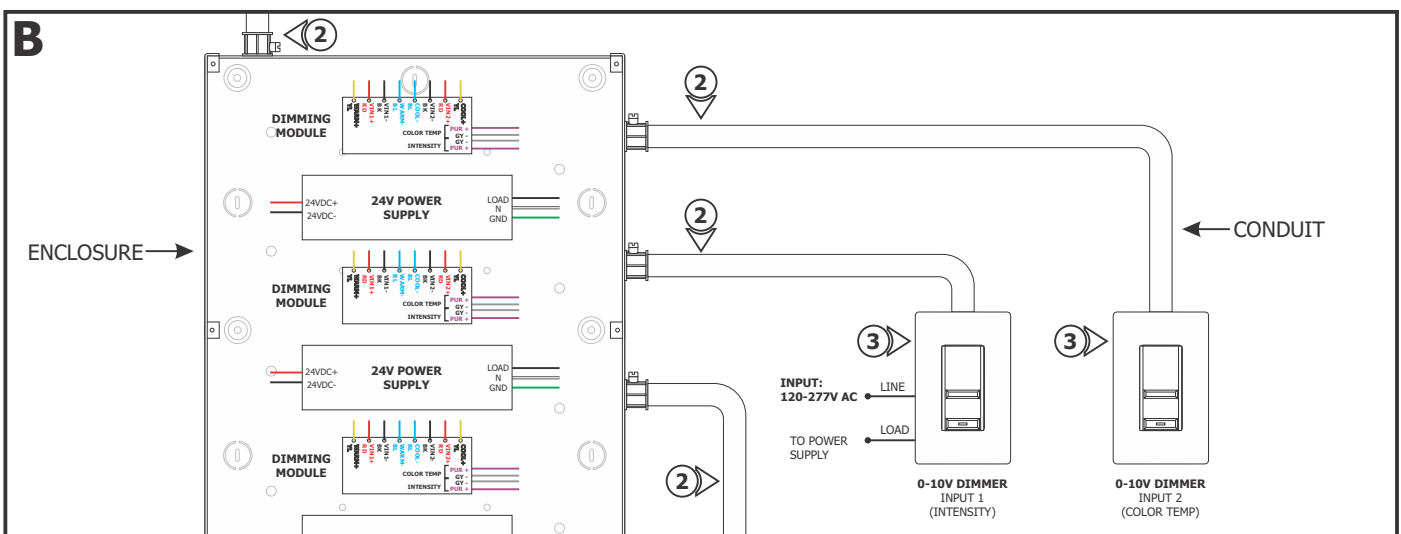
IMPORTANT SAFETY INSTRUCTIONS

- Do not install this power supply in a wet location.
- To reduce the risk of the system overheating and possibly causing a fire, make sure all the connections are tight.
- Do not install *LED fixture closer than three inches or as specified in the *LED fixture installation instructions to curtains or similarly combustible materials. Keep insulation at least 3" away from the enclosure.
- Turn the electrical power off before modifying the lighting system in any way.
- For dimming options refer to PUREEDGE LIGHTING.COM.
- * See LED fixture installation instructions for proper placement.

Install the Power Supply

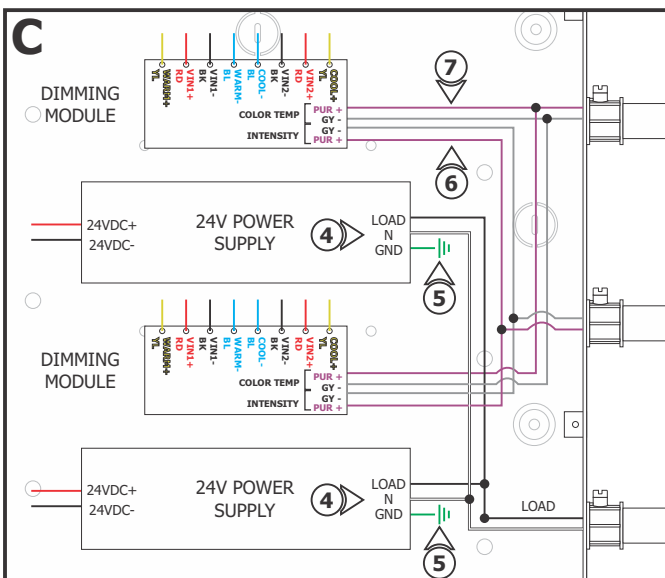


1: Loosen the Phillips screws on the front of the power supply cover to slide the cover off of the enclosure.



2: Install conduits from the controllers, main panel (line voltage), and LED Soft Strip or fixture to the power supply enclosure.

3: Install the 0-10V controllers. Refer to the instructions provided with the controllers. Run the wires from the controllers to the power supply enclosure.

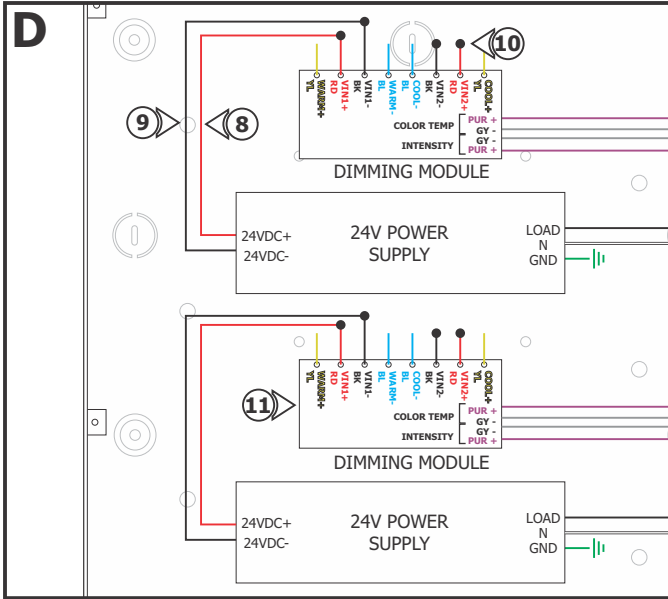


4: Connect the 120-277V AC power into the enclosure from the circuit box panel.

5: Ensure the power supplies are grounded in accordance with local electrical codes.

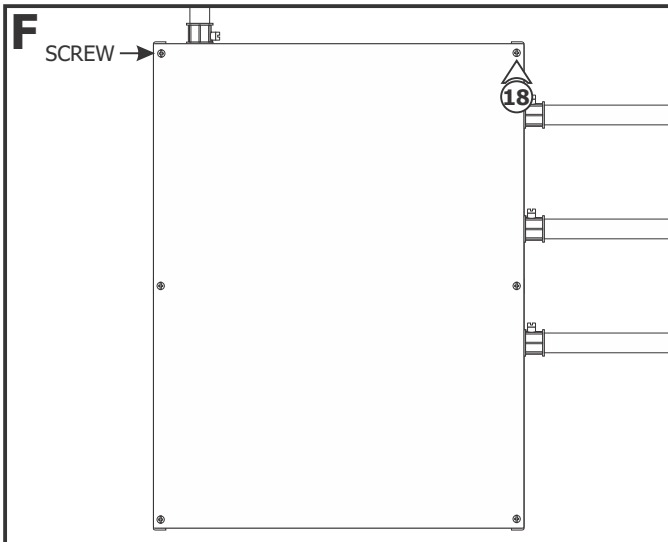
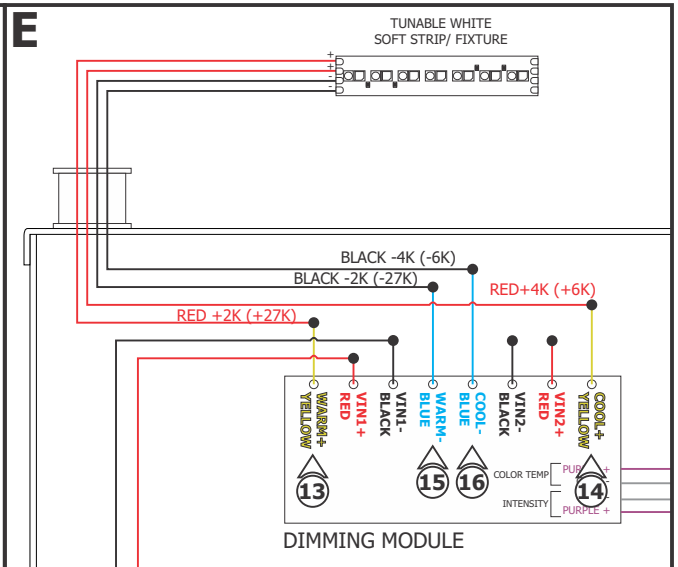
6: Connect the bottom gray and purple wires from each dimming module to the gray and purple wires from one controller respectively using wire nuts.

7: Connect the top gray and purple wires from each dimming module to the gray and purple wires from the second controller respectively using wire nuts.



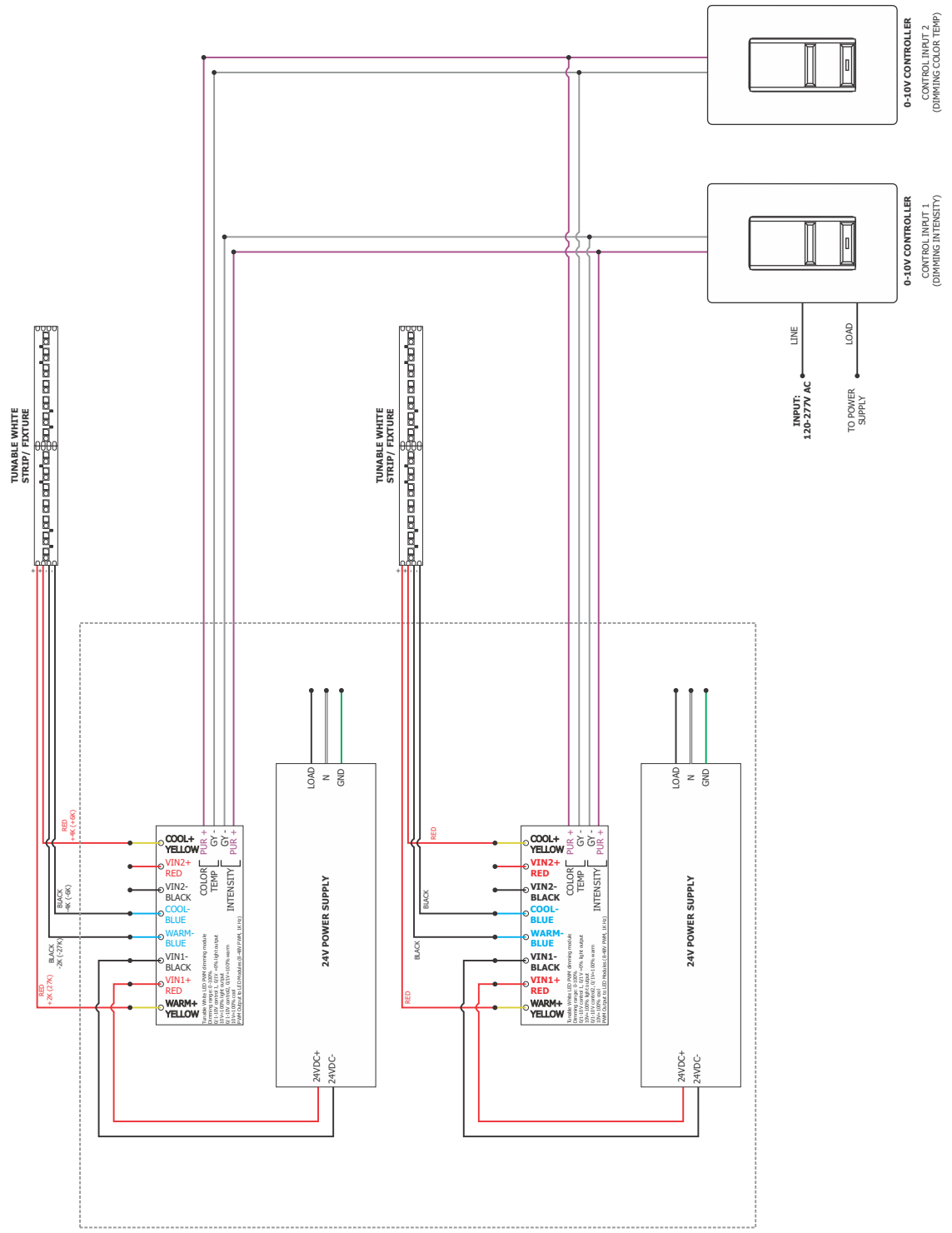
- 8:** Connect the +24VDC power supply wire to the Vin1+ Red dimming module wire using a wire nut.
- 9:** Connect the -24VDC power supply wire to the Vin1- Black dimming module wire using a wire nut.
- 10:** The Vin2+ Red and Vin2- Black wires are not used in this procedure. Cap the Vin2+ Red and Vin2- Black wires using wire nuts.
- 11:** Repeat steps 8 through 10 for each power supply and dimming module.

- NOTE:** Use only 24VDC LED products with this power supply.
- 12:** Run the proper size wires from the Tunable White LED Soft Strip/fixture to the power supply enclosure.
 - 13:** Connect the first red wire of the LED Soft Strip/fixture to the Warm+ Yellow dimming module wire using a wire nut.
 - 14:** Connect the second red wire of the LED Soft Strip/fixture to the Cool+ Yellow dimming module wire using a wire nut.
 - 15:** Connect the first black wire of the LED Soft Strip/fixture to the Warm- Blue dimming module wire using a wire nut.
 - 16:** Connect the second black wire of the LED Soft Strip/fixture to the Cool- Blue dimming module wire using a wire nut.
 - 17:** Repeat steps 12 through 16 for each LED Soft Strip/fixture and dimming module.

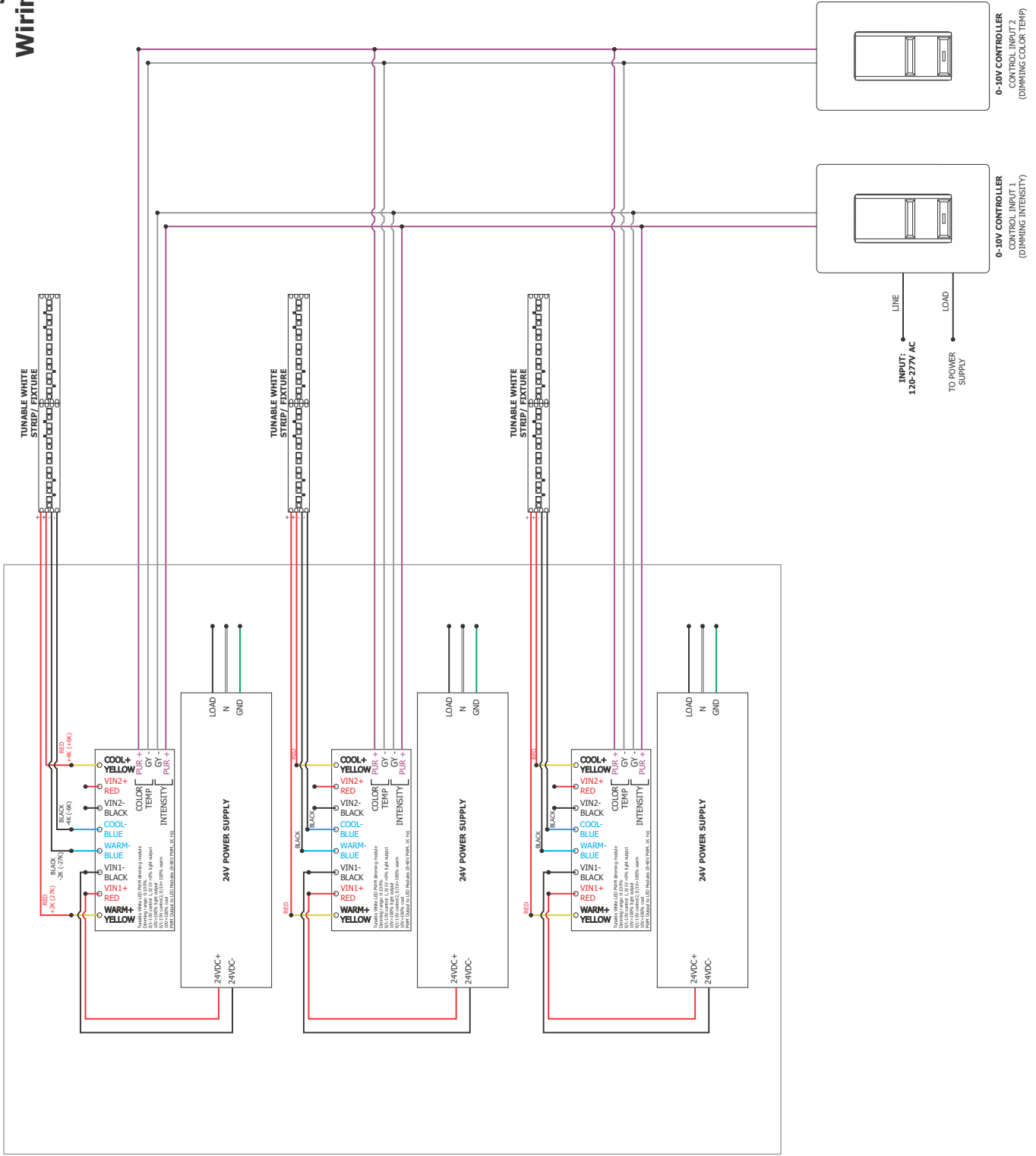


- 18:** Replace the power supply cover and secure it by tightening the Phillips screws.
- 19:** Turn on the power.

2x96W Wiring Diagram



3x96W Wiring Diagram



4x96W Wiring Diagram

