

INSTALLATION INSTRUCTIONS

Polar

WS-3218 / WS-3226 / WS-3240

MODERN FORMS

CAUTION: TO PREVENT ELECTRICAL SHOCK, ENSURE ELECTRICITY HAS BEEN TURNED OFF AT THE CIRCUIT BREAKER BEFORE BEGINNING.

- Read all instructions before installing.
- System is intended for installation by a licensed electrician in accordance with the National Electrical Code (NEC) and local regulations.
- When handling the fixture, do not apply pressure to the LEDs. Hold the fixture by the base only.
- Retain installation instructions for future maintenance reference.

WARNING: All parts must be used as indicated in these instructions. This product is designed for use only with the supplied parts and/or accessories designated for use by Modern Forms. Substitution of parts or accessories not designated for use with this product by Modern Forms could result in personal injury or property damage, and will void the warranty. Contact an authorized dealer or the manufacturer if any parts are damaged or missing.

MAINTENANCE NOTE: Coastal conditions may cause mineral and residue build-up on the fixture. We recommend that customers in coastal areas clean all external surfaces of the fixture once every two weeks with a wet cloth.

MISE EN GARDE: Pour éviter tout choc électrique, assurez-vous que le disjoncteur soit mis hors tension avant de commencer.

- Lisez toutes les instructions avant l'installation.
- Le système doit être installé par un électricien licencié conformément au code national de l'électricité (NEC), et également aux règlements locaux.
- Lors de la manipulation du luminaire, n'appuyez pas sur les LED. Tenez-le uniquement par la base.

ATTENTION: Toutes les pièces doivent être utilisées comme indiqué dans ces instructions. Ce produit est conçu pour être utilisé seulement avec les pièces et/ou accessoires fournis pour être utilisés avec les produits Modern Forms. Remplacer des pièces ou accessoires non conçus pour ce produit Modern Forms pourrait causer des dommages corporels ou matériels et pourrait également causer l'annulation de la garantie. Veuillez contacter un revendeur autorisé ou le fabricant si des pièces manquent ou sont endommagées.

NOTE D'ENTRETIEN: Les conditions côtières peut causer une accumulation de minéraux et de résidus sur le luminaire. Nous recommandons aux clients qui résident dans les zones côtières de nettoyer toutes les surfaces externes du luminaire une fois toutes les deux semaines avec un chiffon humide.

HARDWARE

A1



Wire Connector
Qty: 3
7EAC112201

B1



Junction Box
Screw
Qty: 2pcs +
1 Extra
7MPF0820C1

C1



Knurled Nut
Qty: 1 Extra
7MPM031001NI

D1



Mounting
Screw
Qty: 4pcs +
1 Extra
7MPF0412S1

E1



Plastic Washer
Qty: 4pcs +
1 Extra
7TCK100401

F1



Mounting
Screw
Qty: 4pcs +
1 Extra

G1



Gasket
Qty: 4pcs +
1 Extra
7TGD060301CL

E1



Glass Holder
Qty: 2pcs
4MBA893201BN1

I1



Mounting
Screw
Qty: 2pcs +
1 Extra
7MPF2204J2

H1



Mounting
Anchor
Qty: 2pcs +
1 Extra
7TDD082401

Modern Forms

www.modernforms.com
Phone (800) 526.2588 • Fax (800) 526.2585

Headquarters/Eastern Distribution Center

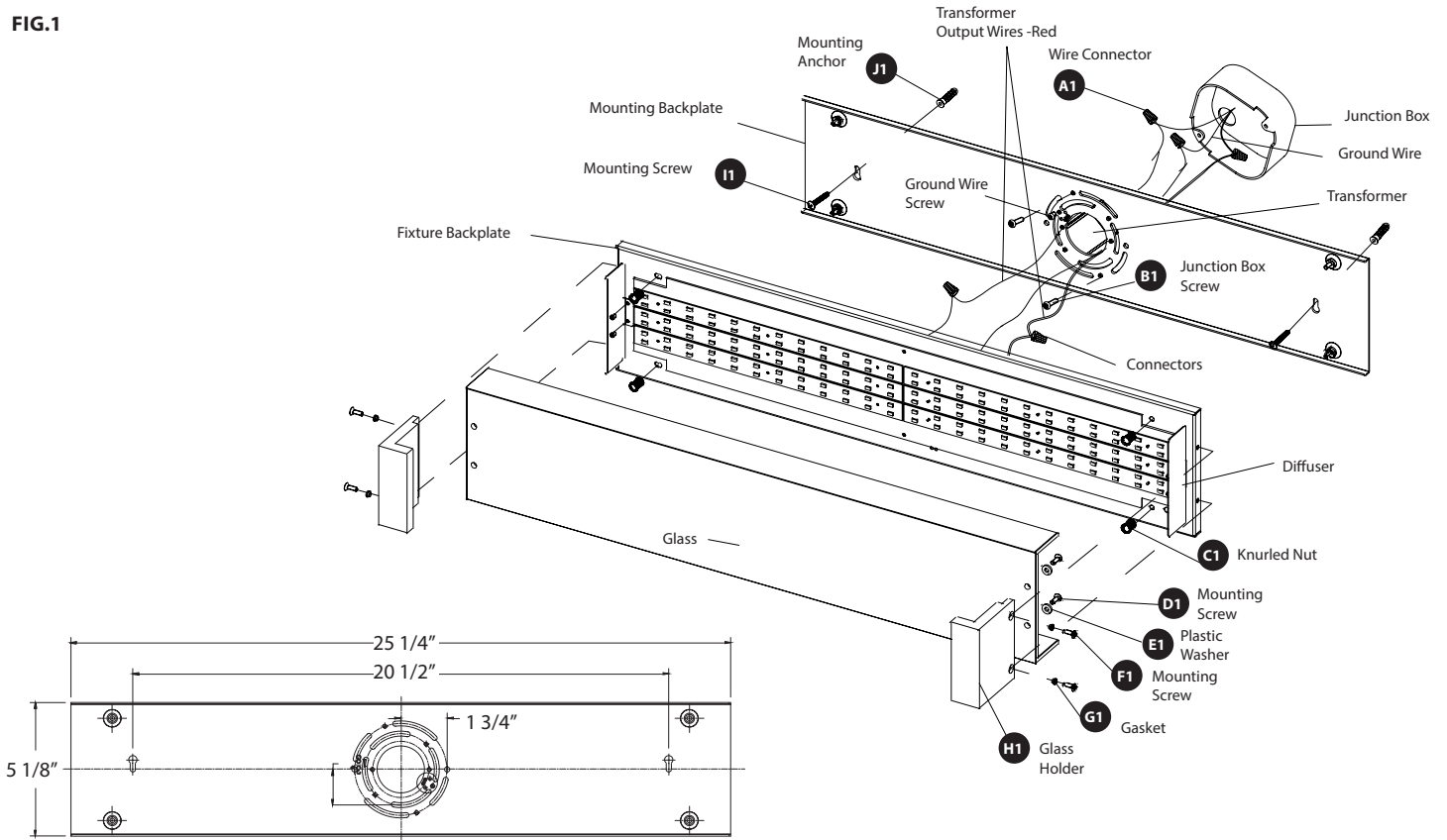
44 Harbor Park Drive • Port Washington, NY 11050
Phone (516) 515.5000 • Fax (516) 515.5050

Western Distribution Center

1750 Archibald Ave • Ontario, CA 91761
Phone (800) 526.2588 • Fax (800) 526.2585



FIG. 1



Back Plate Dimensions

PREPARATION

1. Shut off the power at the circuit breaker and remove existing fixture, including the crossbar.
2. Carefully unpack your new fixture and lay out all the parts on a clear area. Be careful not to lose any small parts necessary for installation.
3. Remove the knurling nut (C1).
4. Remove the mounting screw (F1) and gasket (G1).

CONNECTING THE WIRES (Fig. 2)

5. Connect the transformer's input/output wires to the fixture wires as shown (Fig. 2). Make sure that all wire connectors (A1) are secure. If your outlet box has a green or bare copper ground wire, connect the fixture's ground wire to it. Otherwise, connect the fixture's ground wire directly to the back plate using the green screw provided. After wires are connected, tuck them carefully inside the junction box.

NOTE: This fixture requires transformer to be recessed within the junction box.

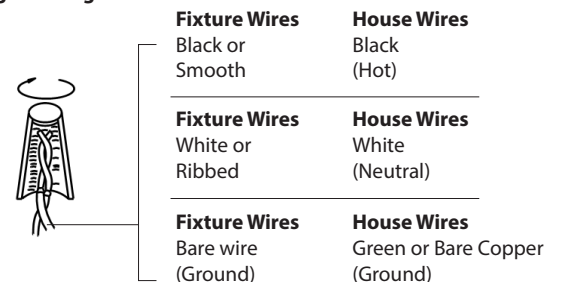
MOUNTING THE FIXTURE (Fig. 1)

6. Secure mounting back plate to the junction box using junction box screws (B1). **NOTE:** The side of the mounting back plate marked "GND" must face out
7. Secure the mounting back plate to wall using the screws (I1) and the plastic anchors (J1).
8. Place the fixture back plate over the mounting back plate and secure with knurling nut (C1).

COMPLETING THE INSTALLATION (Fig. 1)

9. Install the glass on the glass holder (H1) with mounting screws (D1) and gasket (E1).
10. Secure the glass holder into the fixture back plate and secure with mounting screw (F1) and gasket (G1).

Fig.2 Wiring



INSTALLATION INSTRUCTIONS

Polar

WS-3218 / WS-3226 / WS-3240

MODERN FORMS

CAUTION: TO PREVENT ELECTRICAL SHOCK, ENSURE ELECTRICITY HAS BEEN TURNED OFF AT THE CIRCUIT BREAKER BEFORE BEGINNING.

- Read all instructions before installing.
- System is intended for installation by a licensed electrician in accordance with the National Electrical Code (NEC) and local regulations.
- When handling the fixture, do not apply pressure to the LEDs. Hold the fixture by the base only.
- Retain installation instructions for future maintenance reference.

WARNING: All parts must be used as indicated in these instructions. This product is designed for use only with the supplied parts and/or accessories designated for use by Modern Forms. Substitution of parts or accessories not designated for use with this product by Modern Forms could result in personal injury or property damage, and will void the warranty. Contact an authorized dealer or the manufacturer if any parts are damaged or missing.

MAINTENANCE NOTE: Coastal conditions may cause mineral and residue build-up on the fixture. We recommend that customers in coastal areas clean all external surfaces of the fixture once every two weeks with a wet cloth.

MISE EN GARDE: Pour éviter tout choc électrique, assurez-vous que le disjoncteur soit mis hors tension avant de commencer.

- Lisez toutes les instructions avant l'installation.
- Le système doit être installé par un électricien licencié conformément au code national de l'électricité (NEC), et également aux règlements locaux.
- Lors de la manipulation du luminaire, n'appuyez pas sur les LED. Tenez-le uniquement par la base.

ATTENTION: Toutes les pièces doivent être utilisées comme indiqué dans ces instructions. Ce produit est conçu pour être utilisé seulement avec les pièces et/ou accessoires fournis pour être utilisés avec les produits Modern Forms. Remplacer des pièces ou accessoires non conçus pour ce produit Modern Forms pourrait causer des dommages corporels ou matériels et pourrait également causer l'annulation de la garantie. Veuillez contacter un revendeur autorisé ou le fabricant si des pièces manquent ou sont endommagées.

NOTE D'ENTRETIEN: Les conditions côtières peut causer une accumulation de minéraux et de résidus sur le luminaire. Nous recommandons aux clients qui résident dans les zones côtières de nettoyer toutes les surfaces externes du luminaire une fois toutes les deux semaines avec un chiffon humide.

HARDWARE

A1



Wire Connector
Qty: 3

B1



Junction Box
Screw
Qty: 2pcs +
1 Extra

C1



Knurled Nut
Qty: 1 Extra

D1



Mounting
Screw
Qty: 4pcs +
1 Extra

E1



Plastic Washer
Qty: 4pcs +
1 Extra

F1



Mounting
Screw
Qty: 4pcs +
1 Extra

G1



Gasket
Qty: 4pcs +
1 Extra
7TGD060301CL

H1



Glass Holder
Qty: 2pcs

I1



Mounting
Screw
Qty: 2pcs +
1 Extra
7MPF2204J2

J1



Mounting
Anchor
Qty: 2pcs +
1 Extra

Modern Forms

www.modernforms.com
Phone (800) 526.2588 • Fax (800) 526.2585

Headquarters/Eastern Distribution Center

44 Harbor Park Drive • Port Washington, NY 11050
Phone (516) 515.5000 • Fax (516) 515.5050

Western Distribution Center

1750 Archibald Ave • Ontario, CA 91761
Phone (800) 526.2588 • Fax (800) 526.2585

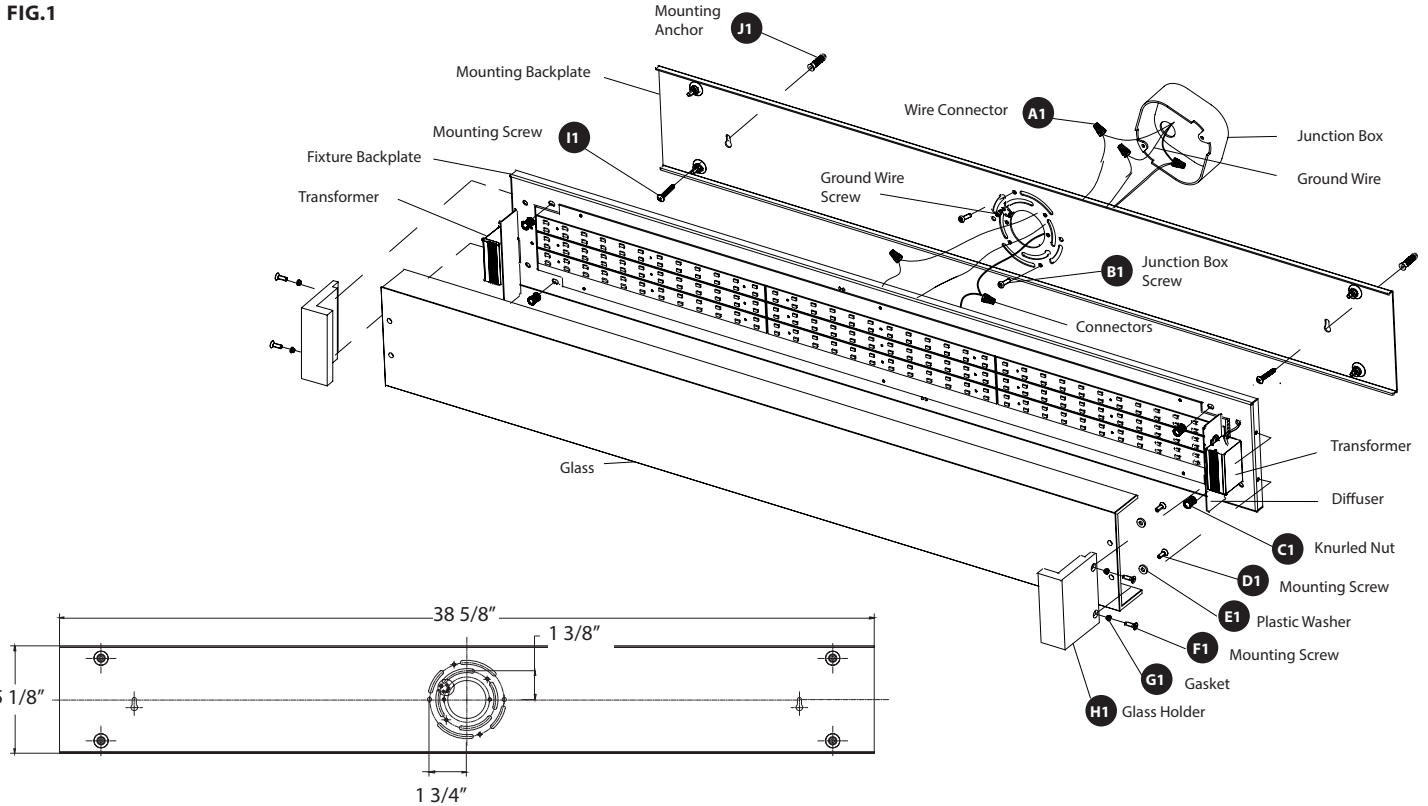


INSTALLATION INSTRUCTIONS

Polar

WS-3218 / WS-3226 / WS-3240

MODERN FORMS



Back Plate Dimensions

PREPARATION

1. Shut off the power at the circuit breaker and remove existing fixture, including the crossbar.
2. Carefully unpack your new fixture and lay out all the parts on a clear area. Be careful not to lose any small parts necessary for installation.
3. Remove the knurling nut (C1).
4. Remove the mounting screw (F1) and gasket (G1).

CONNECTING THE WIRES (Fig. 2)

5. Connect the transformer's input/output wires to the fixture wires as shown (Fig. 2). Make sure that all wire connectors (A1) are secure. If your outlet box has a green or bare copper ground wire, connect the fixture's ground wire to it. Otherwise, connect the fixture's ground wire directly to the back plate using the green screw provided. After wires are connected, tuck them carefully inside the junction box.
- NOTE:** This fixture requires transformer to be recessed within the junction box.

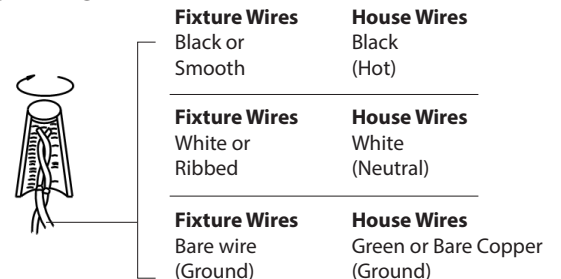
MOUNTING THE FIXTURE (Fig. 1)

6. Secure mounting back plate to the junction box using junction box screws (B1).
NOTE: The side of the mounting back plate marked "GND" must face out
7. Secure the mounting back plate to wall using the screws (I1) and the plastic anchors (J1).
8. Place the fixture back plate over the mounting back plate and secure with knurling nut (C1).

COMPLETING THE INSTALLATION (Fig. 1)

9. Install the glass on the glass holder (H1) with mounting screws (D1) and gasket (E1).
10. Secure the glass holder into the fixture back plate and secure with mounting screw (F1) and gasket (G1).

Fig.2 Wiring



Modern Forms

www.modernforms.com
Phone (800) 526.2588 • Fax (800) 526.2585

Headquarters/Eastern Distribution Center

44 Harbor Park Drive • Port Washington, NY 11050
Phone (516) 515.5000 • Fax (516) 515.5050

Western Distribution Center

1750 Archibald Ave • Ontario, CA 91761
Phone (800) 526.2588 • Fax (800) 526.2585

