

# PALECEK®

601 PARR BOULEVARD | RICHMOND | CA 94801

## PENDANT INSTALLATION INSTRUCTIONS

### FLUSH MOUNT CANOPY ANTIQUÉ BRASS / PEWTER / BRONZE

#### PROFESSIONAL INSTALLATION REQUIRED

**CAUTION: BEFORE INSTALLING FIXTURE, MAKE SURE THE POWER TO THE CIRCUIT IS TURNED OFF AT THE MAIN FUSE BOX / CIRCUIT BREAKER UTILITY BOX.**

#### Important Safety Instructions:

- These instructions are provided for your safety. It is important that they are read carefully before use to ensure safe operation of the product.
- Installation by a licensed professional electrician required.
- THIS PRODUCT MUST BE INSTALLED IN ACCORDANCE WITH THE APPLICABLE INSTALLATION CODES BY A PERSON FAMILIAR WITH THE CONSTRUCTION AND OPERATION OF THE PRODUCT AND THE HAZARDS INVOLVED.
- The lighting fixture is meant for indoor use. It must be connected only to 3-wire, single-phase electrical supply systems (provided with Ground wire or equivalent protection system).
- For your safety, it is strongly recommended that two people install the lighting fixture.
- This fixture has been rated for up to two (2) **40 watt maximum Type A bulbs** (not included). To avoid the risk of fire, do not exceed the recommended lamp wattage.
- 
- The lighting fixture is meant for indoor use, DRY LOCATIONS ONLY.
- **Save these instructions.**

#### WARNING:

- **To reduce the risk of fire, electrical shock or personal injury, always turn off light fixture and allow it to cool prior to replacing light bulb.**
- **Do not touch bulb when fixture is turned on. Do not look directly at lit bulb.**
- **Keep flammable materials away from lit bulb.**
- **Check the cable properly for any loose or damaged connections.**
- **When the unit is no longer functioning, do not attempt to fix it by yourself. Only a qualified technician is allowed to disassemble and repair.**
- **If the external flexible cable cord of this luminaire is damaged it shall be exclusively replaced by a qualified electrician in order to avoid hazard.**

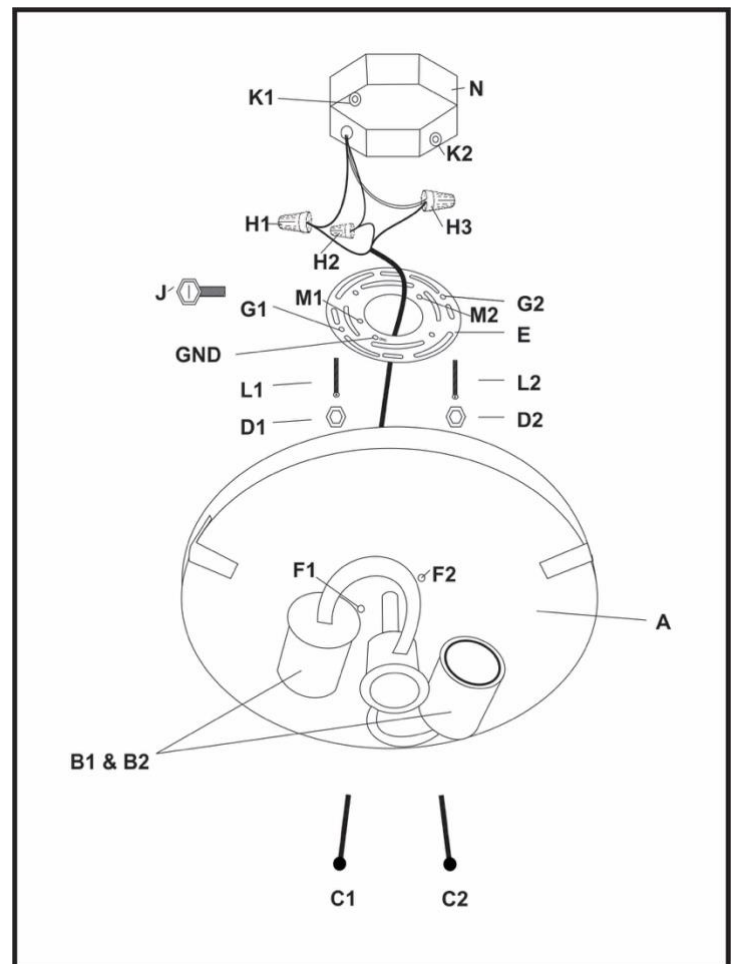
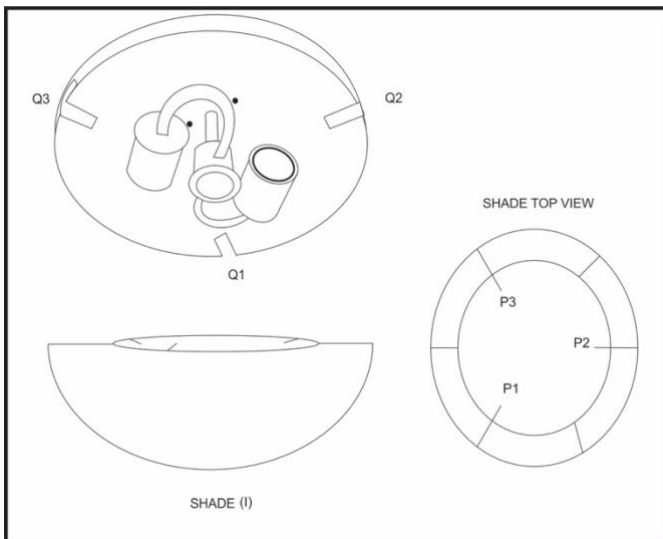
## Pre-Assembly:

- Remove all parts and hardware from the box along with any plastic protective packaging. Do not discard contents until after assembly is complete to avoid accidentally discarding small parts or hardware.
- For your safety and convenience, assembly by two people is recommended.
- Lay the product out on the floor. If there is no carpet, cover the floor with a soft cloth so as not to scratch the finish of the light or the floor.

**TOOLS REQUIRED (not included):** Ladder, Phillips Head & Flat Blade Screwdrivers, and Wire Cutter/Stripper & Electrical Tape.

### Parts List:

1. Flush Mount (A)
2. Sockets (B1, B2)
3. Flush Mount Finial Screw (C1, C2)
4. Adjustable Canopy Nuts (D1, D2)
5. Mounting Plate (E)
6. Mounting Screws (L1, L2)
7. Green Ground Screw (J)
8. Plastic Wire Connectors (H1, H2, H3)
9. Shade Fixture (Not Included) (I)



## Installation Instructions:

1. **SHUT OFF THE MAIN ELECTRICAL SUPPLY FROM THE MAIN FUSE BOX/CIRCUIT BREAKER.**
2. Unscrew adjustable canopy nuts (D1,D2) from flush mount finial screws (C1, C2) and separate the mounting plate (E) from flush mount (A).
3. Gently pull existing wires down from the ceiling junction box and allow them to hang.
4. Insert the mounting screws (L1, L2) into the mounting holes (G1, G2) and secure the Mounting Plate (E) to the Junction Box (N). Tighten until snug.
5. Establish electrical connections:
  - a) Connect the NEUTRAL FIXTURE WIRE to the NEUTRAL JUNCTION BOX WIRE (usually white or ribbed insulation). Fasten each together with a wire connector (H1) and wrap the connection with electrical tape. Be sure that no wire strands are exposed.
  - b) Connect the HOT FIXTURE WIRE to the HOT JUNCTION BOX WIRE (usually black or smooth insulation). Fasten each together with a wire connector (H2) and wrap the connection with electrical tape. Be sure that no wire strands are exposed. **DO NOT REVERSE THE HOT AND NEUTRAL CONNECTIONS OR SAFETY WILL BE COMPROMISED.**
  - c) Connect the GROUND WIRE of the fixture to the GROUND J-BOX WIRE (usually green or bare) with a wire connector (H3) and wrap the connection with electrical tape. Be sure that no wire strands are exposed. If there is no ground wire in the J-Box, use a screwdriver to secure the end of the fixture ground wire to the GREEN screw located on the mounting plate (GND).
6. After all connections are made, insert flush mount finial screw (C1 & C2) into the flush mount holes (F1 & F2). Screw the adjustable canopy nut (D1, D2) into flush mount finial screws (C1, C2) and adjust the flush mount height. Attach the flush mount (A) to the Mounting Plate (E) and fix the flush mount with flush mount finial screw (C1 & C2) .
7. Insert two (2) **40 watt maximum Type A bulbs** (not included) into the socket. **DO NOT EXCEED THE RECOMMENDED WATTAGE.**
8. Align the shade prongs (P1, P2, P3) with the flush mount slots (Q1, Q2, Q3) and rotate the shade clockwise to rest in place.
9. Restore power to ceiling outlet junction box and test fixture.
10. Installation is complete.

## Care Instructions:

- Do not use abrasive cleaning solution as it may cause damage to the fixture's finish.
- Wipe clean with a soft, dry cloth or static duster.