

**BULB TYPES**

2X BT-15 72W (120V) HALOGEN OR LED



OR

2X A19 9.5W (120V) LED



**LENGTH OF CORD SUPPLIED**

9FT (274CM)

**CARE INSTRUCTIONS**

TO REMOVE DUST AND SMALL DEBRIS: CLEAN WITH A SOFT HAIR BRUSH OR USE A VACUUM.

TO REMOVE OTHER SUBSTANCES: USE A DAMP CLOTH AND IF NEEDED A MILD DETERGENT.

**AVOID AMMONIA-BASED CLEANERS**

**Pablo®**

# BELMONT

## TABLE

**ASSEMBLY INSTRUCTIONS AND USER GUIDE**

**Pablo®**

INFO@PABLODESIGNS.COM  
INFO@PABLODESIGNS.EU

888 MARIN ST  
SAN FRANCISCO, CA  
94124

PABLODESIGNS.COM  
PABLODESIGNS.EU

INFO@PABLODESIGNS.COM  
888 MARIN STREET  
SAN FRANCISCO, CA  
94124

PABLODESIGNS.COM




APPROVED COMPONENTS

# Pablo® BELMONT TABLE

## ASSEMBLY

TOP DIFFUSER 

SHADE ASSEMBLY 

BOTTOM DIFFUSER 

BASE ASSEMBLY 

1. INSERT LOWER DIFFUSER VERTICALLY, ONCE INSIDE, ROTATE UNTIL FROSTED SIDE IS FACING DOWN AND DROP INTO PLACE MAKING SURE IT NESTS PROPERLY.

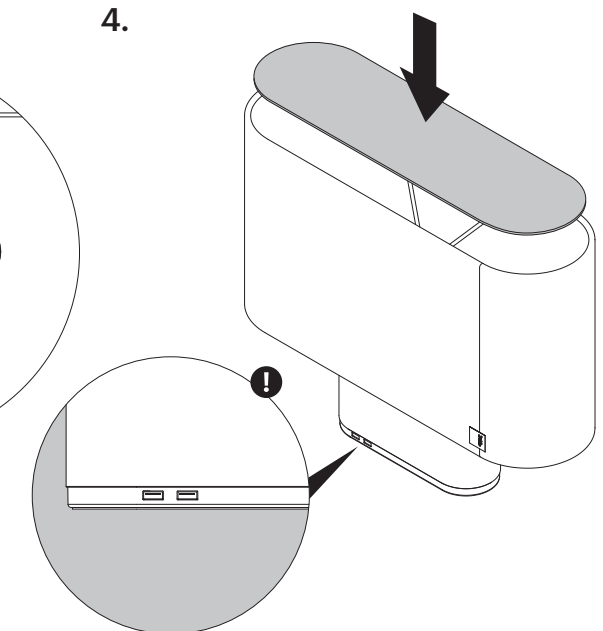
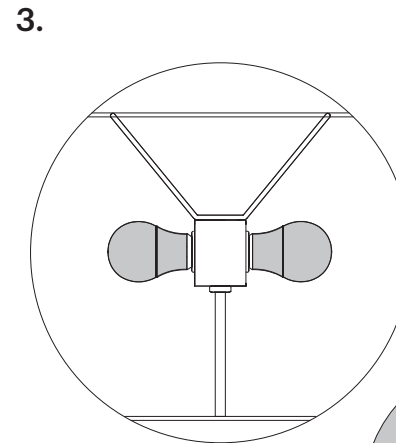
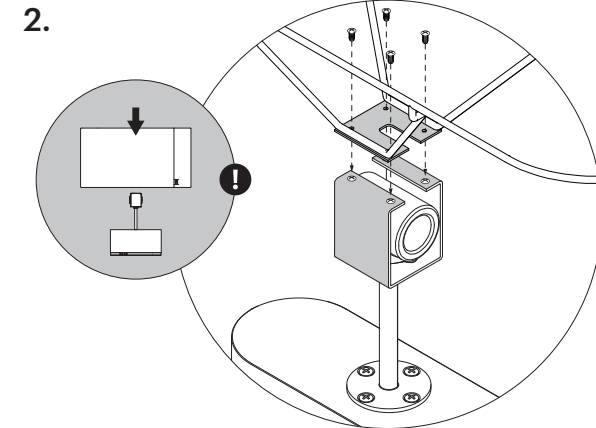
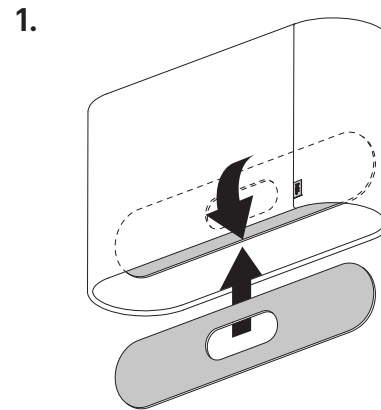
2. REMOVE 4X SCREWS IN TOP OF SOCKET ASSEMBLY. SLIP SHADE OVER SOCKET ASSEMBLY AND ATTACH WITH PROVIDED SCREWS (**NOTE! LOGO TAG FACES FRONT OF LAMP**).

3. INSTALL BULBS (**PROVIDED**)

4. LOAD UPPER DIFFUSER WITH FROSTED SIDE UP TO COMPLETE. (**NOTE! 2X USB PORTS**)

# Pablo® BELMONT TABLE

## ASSEMBLY



**BULB TYPES**

2X BT-15 72W (120V) HALOGEN OR LED



OR

2X A19 9.5W (120V) LED



**LENGTH OF CORD SUPPLIED**

9FT (274CM)

**CARE INSTRUCTIONS**

TO REMOVE DUST AND SMALL DEBRIS: CLEAN WITH A SOFT HAIR BRUSH OR USE A VACUUM.

TO REMOVE OTHER SUBSTANCES: USE A DAMP CLOTH AND IF NEEDED A MILD DETERGENT.

**AVOID AMMONIA-BASED CLEANERS**

**Pablo®**

# BELMONT

## FLOOR

**ASSEMBLY INSTRUCTIONS AND USER GUIDE**

**Pablo®**

INFO@PABLODESIGNS.COM  
INFO@PABLODESIGNS.EU

888 MARIN ST  
SAN FRANCISCO, CA  
94124

PABLODESIGNS.COM  
PABLODESIGNS.EU

INFO@PABLODESIGNS.COM  
888 MARIN STREET  
SAN FRANCISCO, CA  
94124

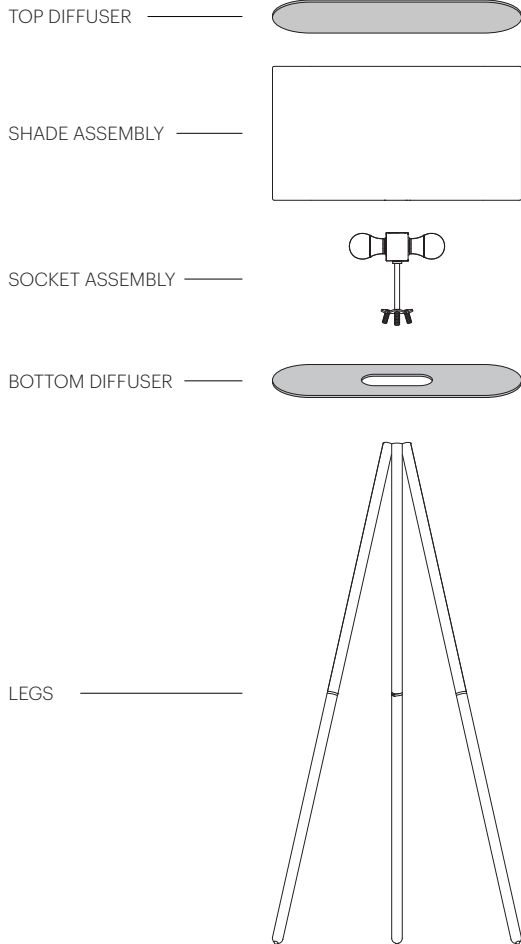
PABLODESIGNS.COM



APPROVED COMPONENTS

# BELMONT FLOOR

ASSEMBLY



1. ASSEMBLE LEGS (3 LOWER SECTIONS AND 3 UPPER SECTIONS).
2. ATTACH LEGS TO SOCKET ASSEMBLY (**NOTE! REAR LEG INDICATED BY CABLE CLIP**).
3. INSERT LOWER DIFFUSER VERTICALLY, ONCE INSIDE, ROTATE UNTIL FROSTED SIDE IS FACING DOWN AND DROP INTO PLACE MAKING SURE IT NESTS PROPERLY.
4. REMOVE 4X SCREWS IN TOP OF SOCKET ASSEMBLY. SLIP SHADE OVER SOCKET ASSEMBLY AND ATTACH WITH PROVIDED SCREWS (**NOTE! LOGO TAG FACES REAR OF LAMP**).
5. INSTALL BULBS (**PROVIDED**)
6. LOAD UPPER DIFFUSER WITH FROSTED SIDE UP AND SECURE CABLE INTO CABLE CLIP TO COMPLETE.

# BELMONT FLOOR

ASSEMBLY

