

Propel Ceiling Fan

120v: **3-106-xx**

oxygen

FIXTURE TYPE _____

LOCATION _____

PROJECT _____

DATE _____



-22 Oiled Bronze



-6 White



-24 Satin Nickel

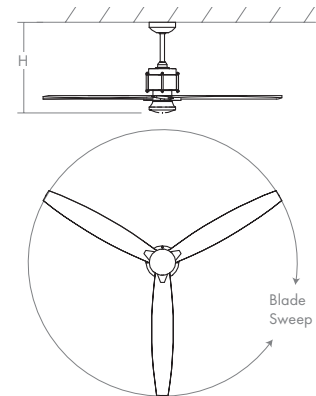
SPECIFICATIONS 3 Blades / 56" Blade Sweep / 16° Blade-Pitch
 4.5" downrod (Included).
 Optional downrods available for high ceilings
 6 Speeds - Reversible
 0.42A on high / 0.08A on low
 25W on high / 3W on low
 191 rpm on high / 75 rpm on low
 Remote Control 3-8-3000 (Optional - Not Including)

INPUT VOLTAGE 120V

ENERGY SPECIFICATIONS Airflow: 5116 CFM
 Electric Energy Consumption: 25 W (Excludes Light)
 Airflow Efficiency: 204 CFM/W
 Note: Measured at high speed

FINISHES White (-6), Oiled Bronze (-22), Satin Nickel (-24)

STANDARDS ETL Dry



DIMENSIONS
Blade Sweep: 52.00"
Ht.: 15.25"
Ceiling to Blades: 11.5"

LIGHT INFORMATION

LUMEN OUTPUT 811 lm (LM-79)

LIGHT SOURCE LED Light kit 15W, 3000K, 90CRI
 Dimmable LED with White Glass diffuser

ENERGYGUIDE	
Estimated Yearly Energy Cost \$5	Airflow 3,710 Cubic Feet Per Minute
<small>Cost Range of Similar Models (19" - 84")</small> <small>• Based on 12 cents per kWh and 6.4 hours use per day</small> <small>• Your cost depends on rates and use</small> <small>• Energy Use: 18 Watts</small>	
<small>• The higher the airflow, the more air the fan will move</small> <small>• Airflow Efficiency: 210 Cubic Feet Per Minute Per Watt</small>	
<small>All estimates based on typical use, excluding lights</small>	

