

JOURNEY Wall Sconce / Ceiling Mount
3-625-24

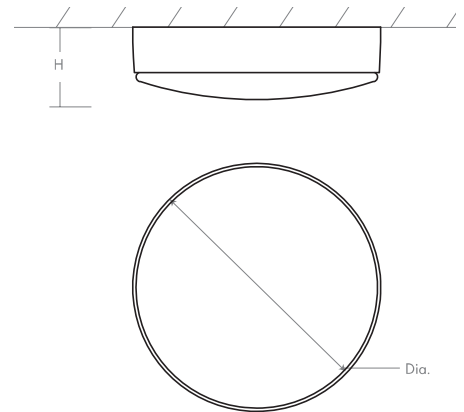
oxygen

FIXTURE TYPE _____ LOCATION _____
 PROJECT _____ DATE _____



-24 Satin Nickel

LIGHT SOURCE 1 x 10.1W LED, 3000K, CRI 90
LUMINAIRE POWER 12.3W at 120V
RATED LIFE 60000 hr RL
OPTIONAL COLOR TEMPERATURES 2700K, 3500K, 4000K
LUMEN OUTPUT Delivered: 698 lm (LM-79)
INPUT VOLTAGE 120V to 277V AC, 50/60Hz
DRIVER OUTPUT 350mA, 14.7W max power
DIMMING TRIAC and ELV dimming at 120V AC; 0-10V dimming, 100% to 1% current output
CONSTRUCTION Plated Steel and Acrylic
DIFFUSER - Matte White Acrylic
FINISHES Satin Nickel (-24)
MOUNTING 4" Octagonal J-Box
STANDARDS UL Dry/Damp listed, CEC Title 24 Compliant, Conforms to UL STD 1598, Certified CAN/CSA STD C22.2 No 250.0.



DIMENSIONS
Dia: 14.00"
H: 4.50"

Order example for standard fixture:
3-625-24 (x- Voltage - xxx-Sequence # - xx-Finish)
 3: 120V to 277V
 Order example for optional color temperatures: **3-625-2724**
 27: 2700K, 35: 3500K, 40: 4000K

