

IOTA Wall Sconce
3-554-xxxx

oxygen

FIXTURE TYPE _____

LOCATION _____

PROJECT _____

DATE _____

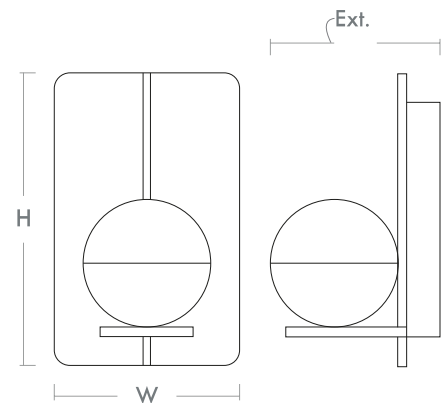


-1540 Black/Aged Brass (Lit)



-1524 Black/Satin Nickel

- LIGHT SOURCE** (1x) 4.5W LED Array, 3000K, CRI 90
- LUMINAIRE POWER** 5.7W Input Power
- RATED LIFE** 30000 hr RL
- OPTIONAL COLOR TEMPERATURES** 3000K Only
- LUMEN OUTPUT** Delivered: TBD (LM-79)
- INPUT VOLTAGE** 120V AC, 50/60Hz
- DRIVER OUTPUT** 160mA, 6W max power
- DIMMING** TRIAC Dimming
- CONSTRUCTION** Cold Rolled Steel Housing
- DIFFUSER** - Matte White Acrylic
- FINISHES** Black/Aged Brass (-1540), Black/Satin Nickel (-1524)
- MOUNTING** 4" Octagonal J-Box
- STANDARDS** cETL Damp listed, Conforms to UL STD 1598, Certified CAN/CSA STD C22.2 No 250.0.



DIMENSIONS

- W:** 5.125"
- H:** 8.00"
- Ext:** 5.75"
- M.C:** 2.75" From top of fixture

Order example for standard fixture:
3-554-1524 (x-xxx: LED Sequence # / -xx: Finish)

