

**ARTÉ Outdoor**  
**3-759-15**

oxygen

FIXTURE TYPE \_\_\_\_\_

LOCATION \_\_\_\_\_

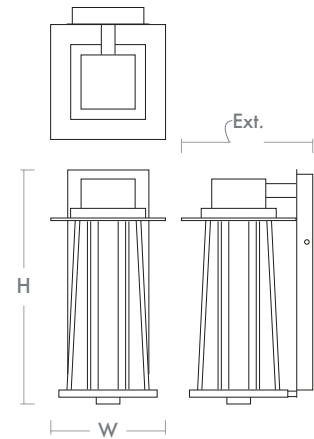
PROJECT \_\_\_\_\_

DATE \_\_\_\_\_



-15 Black

<b>LIGHT SOURCE</b>	(2x) 4W LED Arrays with integrated driver assembly, 3000K, CRI 90
<b>LUMINAIRE POWER</b>	8.2W Input Power
<b>RATED LIFE</b>	30000 hr RL
<b>OPTIONAL COLOR TEMPERATURES</b>	3000K Only
<b>LUMEN OUTPUT</b>	Delivered: TBD lm (LM-79)
<b>INPUT VOLTAGE</b>	120V AC, 50/60Hz
<b>DIMMING</b>	TRIAC Dimming 100-10%
<b>CONSTRUCTION</b>	Cast Aluminum Housing
<b>DIFFUSER</b>	- Clear Bubble Crystal Glass
<b>FINISHES</b>	Black (-15)
<b>MOUNTING</b>	4" Octagonal J-Box (Installer must provide a bead of caulk between fixture housing and mounting surface)
<b>STANDARDS</b>	cETL Wet listed, Conforms to UL STD 1598, Certified CAN/CSA STD C22.2 No 250.0.



**DIMENSIONS**

**W:** 6.75"

**H:** 13.625"

**Ext:** 7.75"

**M.C:** 3.25" From top of fixture

Order example for standard fixture:

**3-759-15** (x-xxx: LED Sequence # / -xx: Finish)

