

ENG WARNING – RISK OF FIRE AND ELECTRIC SHOCK. THIS PRODUCT IS BEST INSTALLED BY A QUALIFIED ELECTRICIAN. INSTALL IN ACCORDANCE WITH CURRENT NEC WIRING REGULATIONS.

SUITABLE FOR DAMP LOCATIONS

THE FITTING MUST BE GROUNDED. TURN OFF POWER AT THE MAIN FUSE BEFORE COMMENCING INSTALLATION.

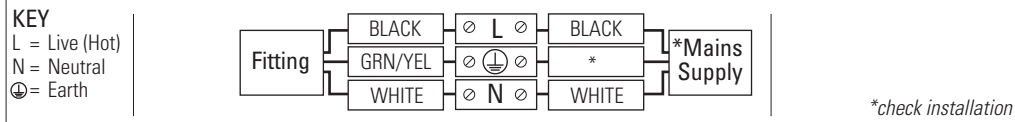
FR ATTENTION – RISQUE D'INCENDIE, RISQUE DE CHOC.

CE PRODUIT DOIT ÊTRE INSTALLÉ SELON LE CODE D'INSTALLATION PERTINENT, PAR UNE PERSONNE QUI CONNAÎT BIEN LE PRODUIT ET SON FONCTIONNEMENT AINSI QUE LES RISQUES INHÉRENTS.

CONVIENT AUX EMPLACEMENTS HUMIDES

L'APPAREIL DOIT ÊTRE MIS À LA TERRE. COUPEZ LE FUSIBLE PRINCIPAL AVANT DE COMMENCER L'INSTALLATION.

- 1 Ensure that the electrical supply is OFF. Disconnect the electrical supply at the fuse-board.
- 2 If removing an existing fitting first, note all wiring connections: record which of the house wires is connected to the live (hot), neutral and earth (ground) terminals.
- 3 Carefully identify where the supply cable is (and check there are no other cables in the area) to avoid damage to concealed wiring during installation.
- 4 Position the light where desired ensuring that there is access to a suitable junction box for the fixture. The fixture should not be mounted to a 4 x 4 square box or any other box resulting in openings into the wiring compartment. Open your existing junction box (if you do not have one in the desired position you will need to get an electrician to install one). Keep the two existing screws.
- 5 In your junction box there should be two supply wires and one ground wire. Connect your new lamp to the electrical supply using UL approved wire nuts. Connect the live (hot) black wire from the power supply to the black conductor on the luminaire cable, then the white (neutral) wire to the white conductor on the luminaire cable and bare copper or green/yellow ground wire to the ground terminal or green/yellow wire connected to the fitting.



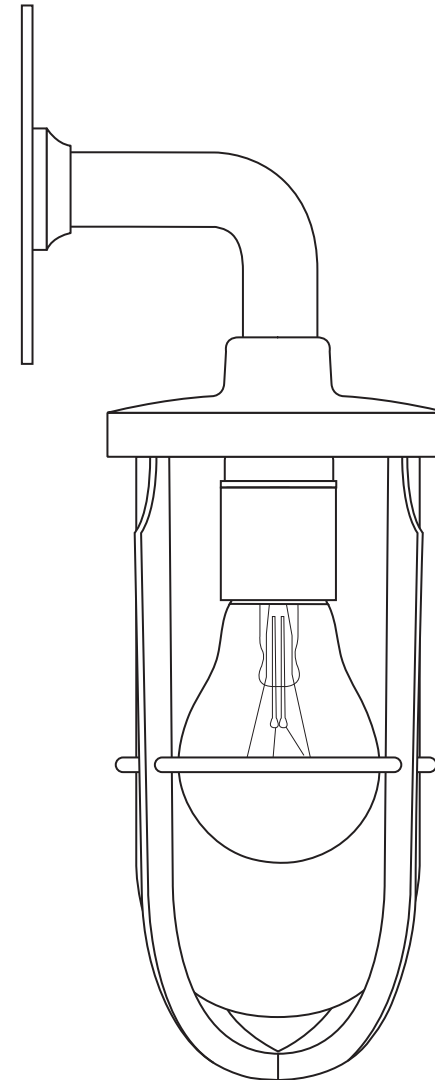
- 6 Support the fitting so that no strain is applied to the wiring when making the electrical connections.
- 7 Double check all the connections are secure, no wires are trapped behind or within the fitting and complete the installation, mounting the fitting to the junction box.
- 8 Fit the correct type and wattage of bulb, referring to guidance inside. Do not overtighten bulb.
- 9 Switch on at the fuse-board. Your light fitting is now ready for use.

### Other Important Information

Switch off at mains before changing lamp(s). Never fit a lamp of greater wattage than recommended. Ensure children do not play with the light fitting. Dispose of old lamps carefully. Never leave a fitting without a lamp in position (or someone can accidentally touch the contacts). If the electrical flex or electrical components become damaged at any point, power to the fitting should be disconnected immediately and not operated until the damaged parts are fixed/replaced.

### Cleaning and Maintenance

Metal finishes should only be cleaned with a soft, dry cloth. Do not use polishes or abrasives. Glass can be cleaned by hand, using a soft damp cloth with a diluted mild detergent (nonabrasive) or suitable glass cleaner if necessary. Switch off power to the fitting before cleaning.



Established in 1990, Original BTC manufactures relaxed, familiar lighting for traditional and contemporary homes. All products are hand-assembled in Oxford from high quality components, produced in the UK.

ORIGINALBTC.COM  
+44 (0)1993 882 251

UNIT 21 / 22 AVENUE ONE, STATION LANE, WITNEY, OX28 4XZ, ENGLAND



**ORIGINAL BTC**  
BRITISH LIGHTING MANUFACTURERS  
LONDON - PARIS



# Ship's Well Glass Light US-DP7207

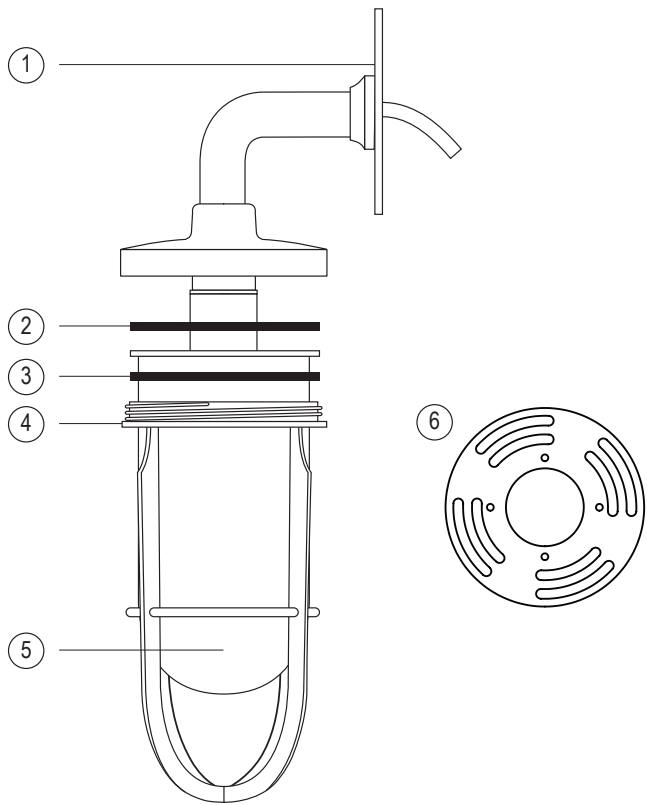
| 120V ac 60Hz | IP54

## Installation Diagram

| LAMP GUIDANCE |        |                |           |
|---------------|--------|----------------|-----------|
| BASE          | SHAPE  | TYPE*          | WATTAGE** |
| E26           | A BALL | INCANDESCENT ✓ | 60W MAX   |
|               |        | CFL ✓          | 15W       |
|               |        | ECO-HALOGEN ✓  | 28W       |
|               |        | LED ✓          | 12W       |

\* Warm white (2700k) low energy lamps recommended.  
 \*\* Wattage value provided as a guide to suitable lamps. Lower wattage than stated may be used.

PLEASE READ THE INSTRUCTIONS ON THE REVERSE BEFORE YOU BEGIN INSTALLING YOUR LIGHT



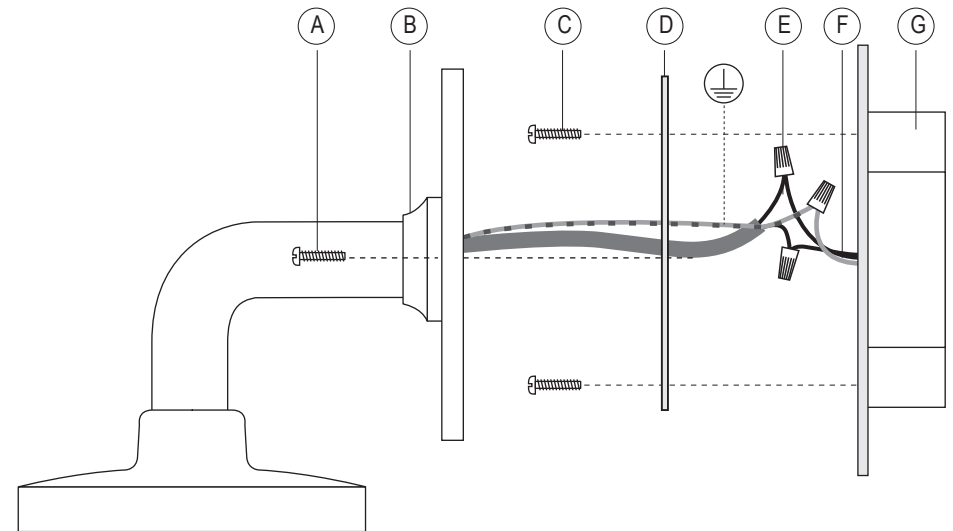
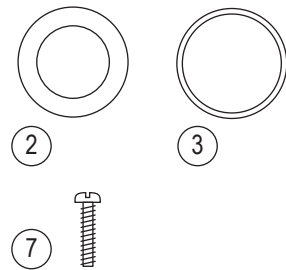
### Contents

- 1 - Wall Plate/Arm/Pan assembly
- 2 - Wide Gasket
- 3 - Narrow Gasket
- 4 - Guard\*
- 5 - Well Glass
- 6 - Adaptor plate
- 7 - 2 x fixing screws

### Required for Installation

- Screwdriver, flat-head
- Wire nuts (x3)
- Junction box

\*Unscrew guard from pan to remove glass and insert light bulb. Ensure tight fit when screwing back in.



### Key

- A - Fixing screws
  - B - Backplate/arm/pan assembly
  - C - Junction box screws\*
  - D - Adaptor plate
  - E - Wire nuts\*
  - F - Main supply
  - G - Junction box\*
- \*not supplied

### Installation and Assembly Instructions

refer to diagrams opposite and above

- 1 - Disassemble the light prior to installing by removing guard(4), unscrewing from the pan(1).
- 2 - Follow instructions overleaf in order to fit adaptor plate and make connection to the mains supply.
- 3 - To mount the fitting to the junction box, offer the fitting up to the junction box, making sure the adaptor plate is firmly secured to junction box and fixings level. Use the fixing screws to mount the fitting to the adaptor plate.
- 4 - Once the lamp has been wired, insert lamp.
- 5 - The lamp can then be reassembled, screwing the guard/well glass into the pan, ensuring the gaskets are positioned correctly (follow diagram opposite) and ensuring a tight fit. DO NOT OVERTIGHTEN guard when screwing into pan as this could cause damage to the glass.
- 6 - Power to the fitting can now be restored.

If installing in a damp location, the backplate must be sealed against the mounting surface to protect from any moisture ingress, using a suitable silicone sealant around the backplate.