

Product Description

The Vortex light is fixed by a hidden bracket. The light features a ball joint mechanism which allows the head to be positioned as required.

Metal finish

The light comes in the following metal finishes:

- Clear Anodised Aluminium
- Anodised Titanium
- Anodised Bronze
- Polished Nickel Plate

Dimensions

Depth/6.65"
Light Width/2.05"
Tail Length/19"

Electrical

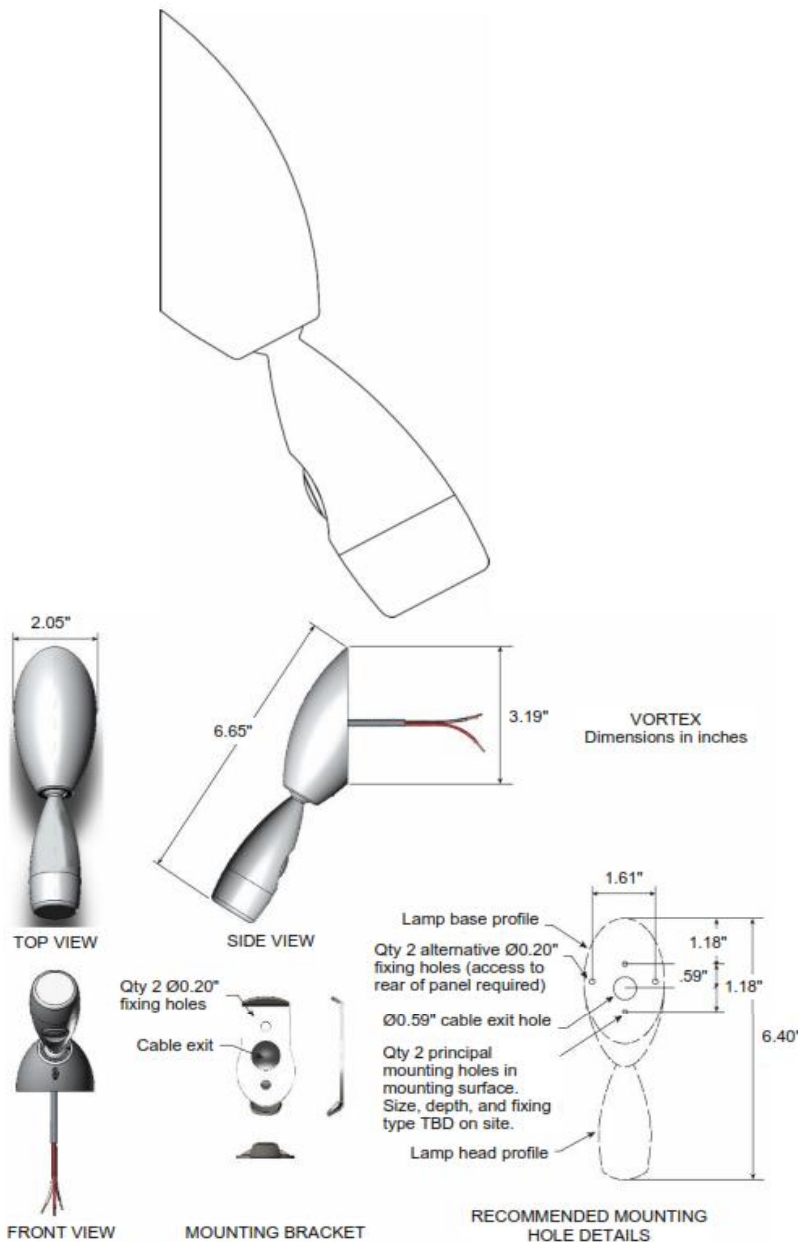
The light uses 1.7 Watts of energy and requires a 12v DC power Supply.

The Vortex light is available in the following LED colours.

- Warm White
- Cool White

Additional information

The Vortex light requires a driver for installing on a Mains voltage circuit. This driver should be installed remotely in a suitable area behind the fitting.

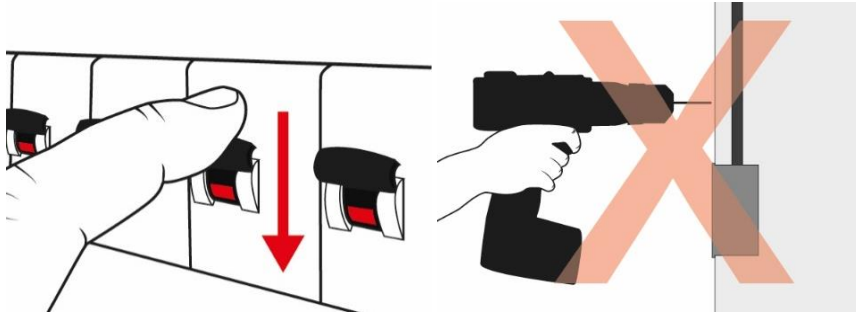


Beadlight Ltd

Unit 31B,
Avenue One, Station Lane,
Witney OX28 4XZ

LCCB0273-D24-IS2

Tel: 01993 868866
Web: www.beadlight.com
Email: contact@beadlight.com



It is of vital importance that these installation sheets and their associated images are closely studied before undertaking the installation process.



Installation Preparation

Installation should only be carried out by a person who is capable and conversant with the current regulations regarding electrical installations in the country the light is being installed.

Please ensure the circuit which the light will be attached is installed and fused correctly according to the country's current regulations.

Ensure that electrical supply is off. Turn the supply off from the distribution board and ensure it can't be inadvertently turned back on.

Identify where the supply cable runs and any other wiring in the wall before deciding on a mounting position for the lamp to ensure no damage occurs to concealed wiring during installation.

If removing an existing fitting, make note of its wiring connections and record which of the supply wires is connected to which terminal. There may be a loop circuit that has wires that are not connected to the L, E or N of the fitting these will need to be connected together and correctly insulated.

From the lamp the red wire is 12V DC and the white wire is 0v DC. These wires are to be connected to the corresponding output wires from the 12V DC power supply

Maintenance Information

The product should only be cleaned with a soft dry cloth no cleaning agents should be used.

There are no parts that require servicing or maintenance. If there is a problem with a light these need to be returned to Beadlight to be assessed.

Warranty

Beadlight Limited will repair or replace a product free of charge if it fails to operate due to manufacturing defects within 5 years of purchase.

This guarantee does not include faults or damage caused by misuse, abuse, neglect, incorrect cleaning, accident or failure to follow assembly/installation instructions provided by Beadlight.

Product disassembly or servicing by non-Beadlight staff will void the warranty.

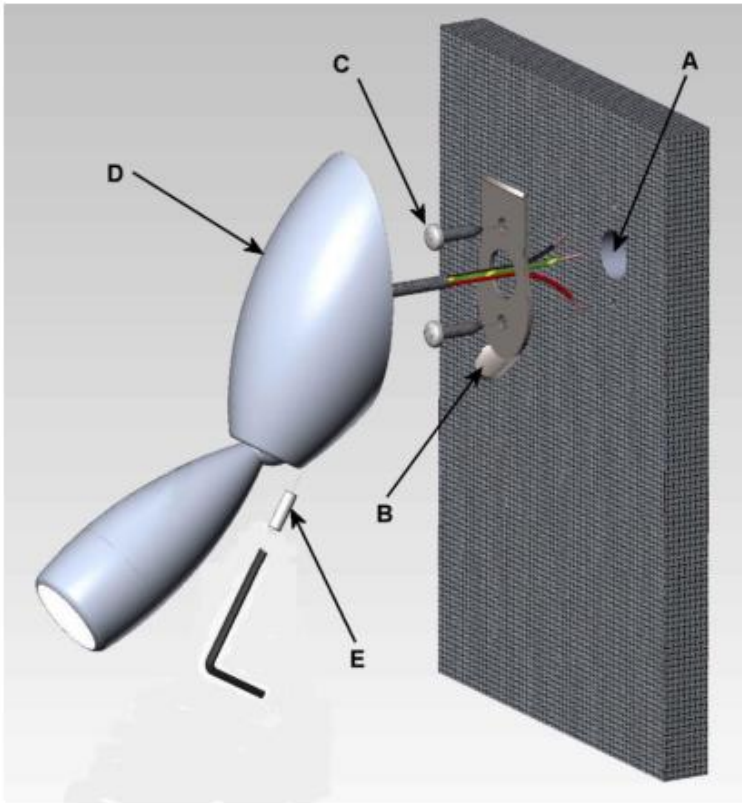


Beadlight Ltd

Unit 31B,
Avenue One, Station Lane,
Witney OX28 4XZ

LCCB0273-D24-IS2

Tel: 01993 868866
Web: www.beadlight.com
Email: contact@beadlight.com



Installation Process

Drill a hole in your panel in the position that you want to mount the lamp. The hole needs to be 0.59" in diameter. See Position (A).

The mounting plate (B) is fixed using 2 x 0.14" screws (C) type and length – dependant on panel type and thickness.

Insert the lamps cable through the hole in the mounting bracket and insert the lower part of the mounting bracket (B) into the bottom of the lamp base (D). Tilt the lamp up so it sits flush with the surface of the panel.

At this point the Allen screw (E) can be tightened down into the lamp base (D) so that it engages with the base plate and locks the light securely into the panel.

All that remains is to connect the light to a suitable power supply and switch it on using the switch located on it's head.

Electrical

Terminal block not included. Installation may require advice from a qualified person.

If the power supply being used was not provided by Beadlight it is important to ensure that the power supply outputs 12 V DC. It should be a regulated switch mode or linear stabilised power supply rated to at least 300mA. The power supply should be double insulated and should meet the appropriate national approvals (standards) in the country where the product is being installed. Note: Wire colours may vary depending on country.

If in doubt you must seek help from a competent electrical engineer.

Other Information

Avoid mounting the unit on damp or newly painted surfaces to avoid discolouration of finish.

If the external cable or cord of this luminaire is damaged, it shall be exclusively replaced by the manufacturer or his or her service agent or a similar qualified person in order to avoid hazard.

The light source of this luminaire is not replaceable; when the light source reaches its end of life the whole luminaire shall be replaced. At the end of the products life it can be returned to Beadlight to be disposed of under the WEEE regulations.



Beadlight Ltd

Unit 31B,
Avenue One, Station Lane,
Witney OX28 4XZ

LCCB0273-D24-IS2

Tel: 01993 868866
Web: www.beadlight.com
Email: contact@beadlight.com