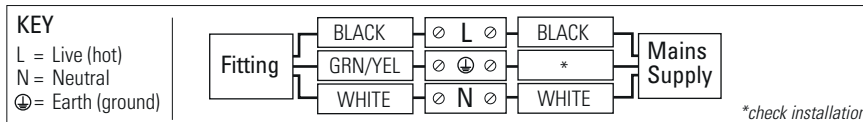
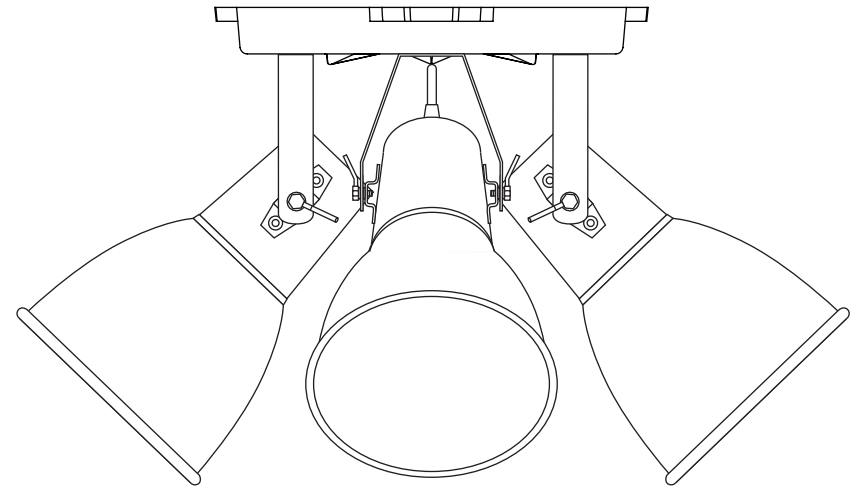


**ENG WARNING – RISK OF FIRE AND ELECTRIC SHOCK. THIS PRODUCT IS BEST INSTALLED BY A QUALIFIED ELECTRICIAN. INSTALL IN ACCORDANCE WITH CURRENT NEC WIRING REGULATIONS. SUITABLE FOR DRY LOCATIONS ONLY. THE FITTING MUST BE GROUNDED. TURN OFF POWER AT THE MAIN FUSE BEFORE COMMENCING INSTALLATION.**

**FR ATTENTION – RISQUE D'INCENDIE, RISQUE DE CHOC. CE PRODUIT DOIT ÊTRE INSTALLÉ SELON LE CODE D'INSTALLATION PERTINENT, PAR UNE PERSONNE QUI CONNAÎT BIEN LE PRODUIT ET SON FONCTIONNEMENT AINSI QUE LES RISQUES INHÉRENTS. POUR EMPLACEMENTS SECS SEULEMENT L'APPAREIL DOIT ÊTRE MIS À LA TERRE. COUPEZ LE FUSIBLE PRINCIPAL AVANT DE COMMENCER L'INSTALLATION.**

1. This fitting should be installed over a 4" junction box (not supplied).
2. Open your existing junction box (if you do not have one in the desired position you will need to get an electrician to install one). If removing an existing fitting first, note all wiring connections: record which of the house wires is connected to the live, neutral and earth (ground) terminals.
3. Carefully identify where the supply cable is (and check there are no other cables in the area) to avoid damage to concealed wiring during installation.
4. Position the light where desired ensuring that there is suitable support adjacent to where you will connect to the house supply and mark the positions of the fixing holes, before drilling appropriate holes as below:
  - a. Brick or masonry: Drill holes into which the wall plugs tightly fit, then insert wall plugs.
  - b. Wood: No hole necessary (unless a small pilot hole required), screws can be inserted directly into the timber.
  - c. Plaster/Cavity: Special cavity wall fittings are required, rather than the provided fixings. These are widely available from good hardware or DIY stores and should come with their own instructions which must be followed. It may be easier to relocate the fitting so that you can screw directly into a timber joist or beam.
5. Electrical connection: this fitting must be grounded. In your junction box there should be two supply wires and one ground wire. Connect your lamp to the electrical supply using UL approved wire nuts. Connect the live (hot) black wire from the power supply to the black conductor on the luminaire cable, then the neutral (white) wire to the white conductor on the luminaire cable and the bare copper or green/yellow ground wire to the ground terminal or green/yellow wire connected to the fitting.



6. Support the fitting so that no strain is applied to the wiring when making the electrical connections. if necessary get a colleague to help.
7. See hanging instructions inside to mount your fitting to the ceiling over the junction box.
8. Fit the correct type and wattage of lamps (or less). Be careful not to overtighten the lamps.
9. Switch on at the fuse-board. Your light fitting is now ready for use.

### Other Important Information

Switch off at mains before changing lamp(s). Never fit a lamp of greater wattage than recommended. Ensure children do not play with the light fitting. Dispose of old lamps carefully. Never leave a fitting without a lamp in position (or someone can accidentally touch the contacts). Adjust fitting only when power to the fitting is off and has been left to cool. If the electrical flex or electrical components become damaged at any point, power to the fitting should be disconnected immediately and not operated until the damaged parts are fixed/replaced. For use in dry, indoor environment only. Ensure the fitting does not come into contact with any liquids.

### Cleaning & Maintenance

Metal finishes should only be cleaned with a soft, dry cloth. Do not use polishes or abrasives. Switch off power to the fitting before cleaning.

Established in 1990, Original BTC manufactures relaxed, familiar lighting for traditional and contemporary homes.

All products are hand-assembled in Oxford from high quality components, produced in the UK.

ORIGINALBTC.COM  
 +44 (0)1993 882 251  
 UNIT 21 / 22 AVENUE ONE, STATION LANE, WITNEY, OX28 4XZ, ENGLAND



**ORIGINAL BTC**  
 BRITISH LIGHTING MANUFACTURERS  
 LONDON - NEW YORK - PARIS



# Stirrup Triple Ceiling Light

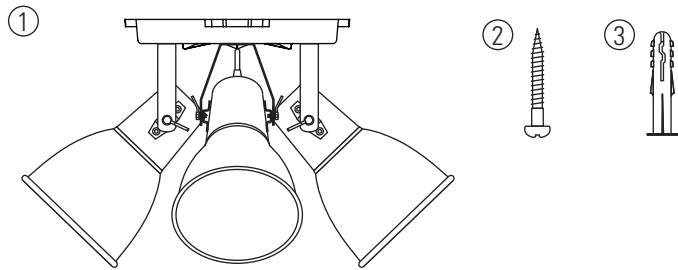
| 120V ac 60Hz | IP20 |

US-FC180

The Stirrup collection is the ultimate in industrial chic. Positionable shades allow greater flexibility, enabling the user to direct the light where desired.

LAMP GUIDANCE			
BASE	SHAPE	TYPE*	WATTAGE**
E26	R80 A BALL	INCANDESCENT ✓	3 x 60W (R80) / 40W (TYPE A) MAX
		CFL ✓	3 x 13W
		ECO-HALOGEN ✗	n/a
		LED ✓	3 x 12W

\* Warm white (2700k) low energy lamps recommended.  
 \*\* Wattage value provided as a guide to suitable lamps. Lower wattage than stated may be used.

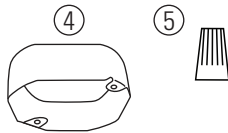


### Packing List

- 1 - Stirrup Wall Light
- 2 - 3 x fixing screws
- 3 - 3 x rawl plugs

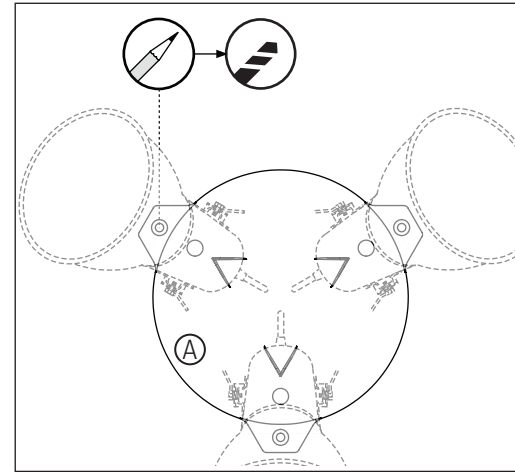
### Required for Installation

- Junction Box (4)
- Wire nuts (5)
- Screwdriver
- Small flat-head screwdriver
- Drill

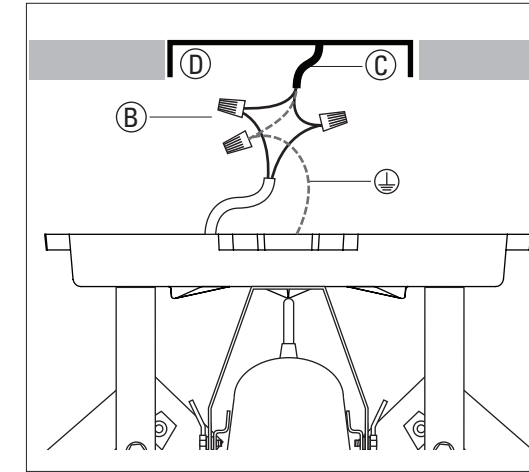


## Assembly & Installation Instructions

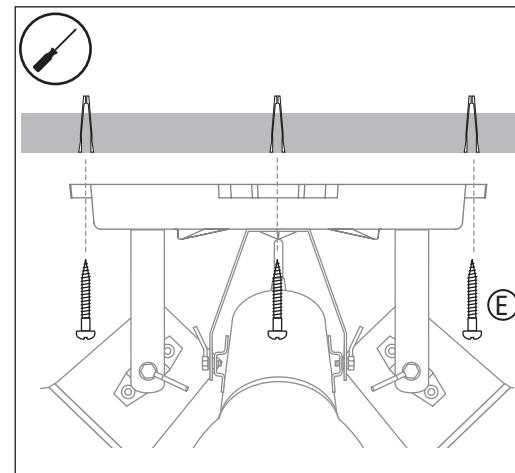
### STEP 1



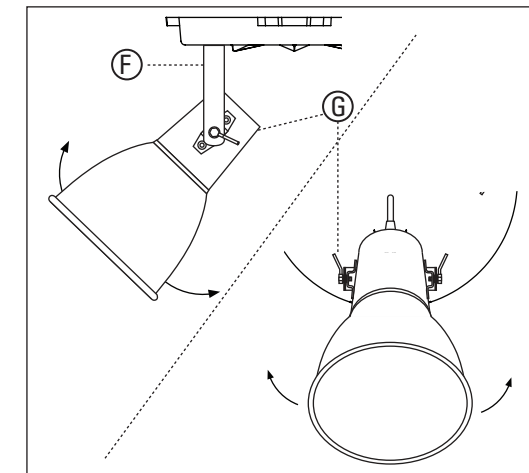
### STEP 2



### STEP 3



### STEP 4



- |                 |                   |               |
|-----------------|-------------------|---------------|
| (A) Back plate  | (D) Junction Box  | (G) Tail bolt |
| (B) Wire Nuts   | (E) Fixing screws |               |
| (C) Main supply | (F) Bracket       |               |

- STEP 1 Mark fixing holes through wall plate (A) before drilling holes, see point 4 on reverse.  
 STEP 2 Make electrical connection, see point 5 on reverse page.  
 STEP 3 Screw back plate to ceiling.  
 STEP 4 Fitting now ready for operation. The angle of the shades may be rotated and tilted up and down:  
 - To rotate, swivel the bracket (F)  
 - To tilt, loosen the tail bolt (G), move reflector, then secure position by tightening tail bolt.

PLEASE READ THE INSTRUCTIONS ON THE REVERSE BEFORE YOU BEGIN INSTALLING YOUR LIGHT