

# Safety & Installation Instructions

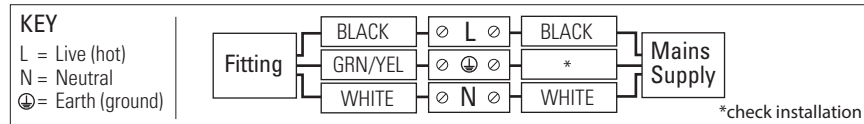
v1.4-04.19

- ENG WARNING – RISK OF FIRE AND ELECTRIC SHOCK. THIS PRODUCT IS BEST INSTALLED BY A QUALIFIED ELECTRICIAN. INSTALL IN ACCORDANCE WITH CURRENT NEC WIRING REGULATIONS.  
SUITABLE FOR DRY LOCATIONS ONLY  
THE FITTING MUST BE GROUNDED. TURN OFF POWER AT THE MAIN FUSE BEFORE COMMENCING INSTALLATION.
- FR ATTENTION – RISQUE D'INCENDIE, RISQUE DE CHOC.  
CE PRODUIT DOIT ÊTRE INSTALLÉ SELON LE CODE D'INSTALLATION PERTINENT, PAR UNE PERSONNE QUI CONNAÎT BIEN LE PRODUIT ET SON FONCTIONNEMENT AINSI QUE LES RISQUES INHÉRENTS.  
POUR EMPLACEMENTS SECS SEULEMENT  
L'APPAREIL DOIT ÊTRE MIS À LA TERRE. COUPEZ LE FUSIBLE PRINCIPAL AVANT DE COMMENCER L'INSTALLATION.

Designed for installation into 4" downlight can (uses standard E26 connection). This can be an existing installation or a new 4" downlight housing available from most hardware stores. Tested in Cooper 'Halo' 4" recessed remodel housing.

Groundwire installation:

Ensure the product is grounded adequately using provided ground wire, or use alternate method if the installation requires.



**WARNING – Risk of fire or electric shock. Do not alter, relocate, or remove wiring, lampholders, ballasts, or any other electrical component.**

**WARNING - Risk of fire or electric shock. Retrofit Kit installation requires knowledge of luminaire electrical systems. If not qualified, do not attempt installation. Contact a qualified electrician.**

**WARNING - Risk of fire or electric shock. Install this kit only in luminaires that have the construction features and dimensions shown in the drawings. Do not make or alter any open holes in an enclosure of wiring or electrical components during kit installation.**

**WARNING - To prevent wiring damage or abrasion, do not expose wiring to edges of sheet metal or other sharp objects.**

## Other Important Information

Switch off at mains before changing lamp(s). Never fit a lamp of greater wattage than recommended. Ensure children do not play with the light fitting. Dispose of old lamps carefully. Never leave a fitting without a lamp in position (or someone can accidentally touch the contacts). Adjust fitting only when power to the fitting is off and has been left to cool. If the electrical flex or electrical components become damaged at any point, power to the fitting should be disconnected immediately and not operated until the damaged parts are fixed/replaced. For use in dry, indoor environment only. Ensure the fitting does not come into contact with any liquids.

## Cleaning and Maintenance

Metal finishes should only be cleaned with a soft, dry cloth. Do not use polishes or abrasives. Bone china can be cleaned by hand, using a soft damp cloth with a diluted mild detergent (nonabrasive) if necessary

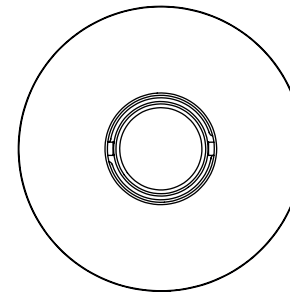
Established in 1990, Original BTC manufactures relaxed, familiar lighting for traditional and contemporary homes. All products are hand-assembled in Oxford from high quality components, produced in the UK.

ORIGINALBTC.COM  
+44 (0)1993 882 251  
UNIT 21 / 22 AVENUE ONE, STATION LANE, WITNEY, OX28 4XZ, ENGLAND

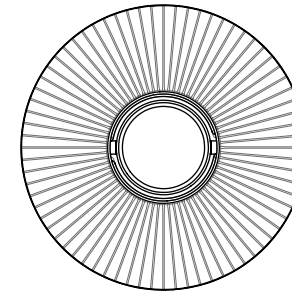


# SOPRA Downlight

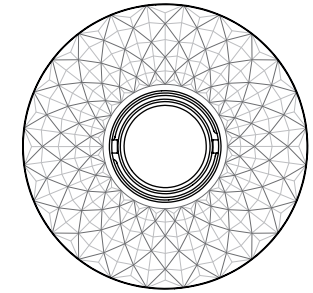
## Instruction Manual



Plain  
FC560



Ridged  
FC561



Quilted  
FC562



ORIGINAL BTC  
BRITISH LIGHTING MANUFACTURERS  
LONDON - NEW YORK - PARIS



# SOPRA Downlight

| 120V ac 60Hz | IP20 |

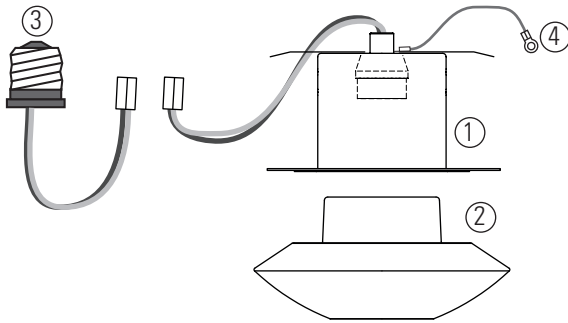
US-FC560 Sopra Plain  
 US-FC561 Sopra Ridged  
 US-FC562 Sopra Quilted

LAMP GUIDANCE				
BASE	SHAPE	TYPE*		WATTAGE**
		HALOGEN	✓	35W MAX
GU10	PAR16	LED	✓	10W

\* Warm white (2700k) low energy lamps recommended  
 \*\* Wattage value provided as a guide to suitable lamps. Lower wattage than stated may be used.

PLEASE READ THE INSTRUCTIONS ON THE REVERSE BEFORE YOU BEGIN INSTALLING YOUR LIGHT

## Contents



### Contents

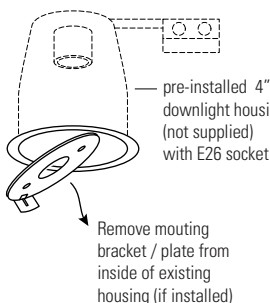
- 1 Recess housing
- 2 Shade
- 3 E26 connector
- 4 Ground connector

### Required

- Existing or new 4" downlight housing with E26 socket

## Installation Steps

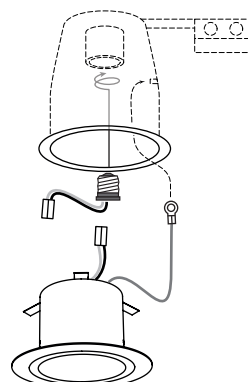
**1**



— pre-installed 4" downlight housing (not supplied) with E26 socket

Remove mouting bracket / plate from inside of existing housing (if installed)

**2**

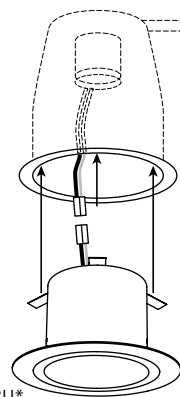


Connect the ground wire to the housing via the ring terminal, using an existing screw inside the housing.

Screw in the E26 base adapter to the E26 socket

## Installation Diagram

**4**

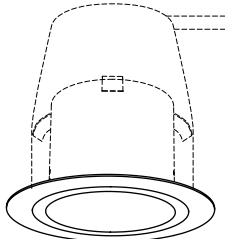


Connect the Sopra to the E26 adapter via the orange connector.

Push the Sopra fitting directly into the housing, tucking the wires out of the way inside the housing

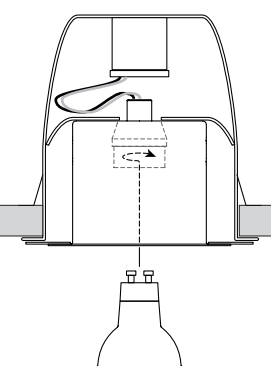
**\*PUSH\***

**5**

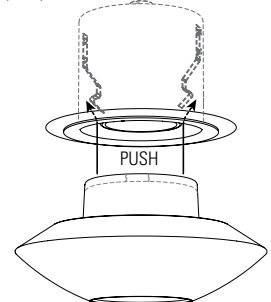


Ensure the Sopra fitting is fully engaged into the housing, so that the trim is flush with the ceiling

**4.** Insert the GU10 bulb to the socket.

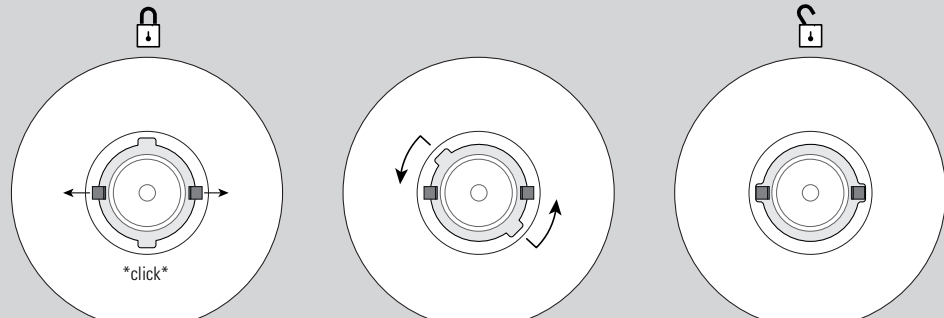


**5.** Fit the ceramic shade by pushing it into the housing - the spring clips should engage the lip in the ceramic. Check they are fully engaged by gently pulling the shade to check it stays in place



**PUSH**

VIEW FROM BOTTOM



**\*click\***

Ensure the internal spring clips fully engage onto the lip of the shade

To change the bulb, release the shade by twisting until the notches align with the spring clips