

## Product Description

The Sirocco ID Slim Integral Bezel light is fixed by a mounting ring at the rear of the bed headboard. The light is neatly presented through a recess in the bedhead. The lamp can be rotated left and right allowing control of the beam position.

## Metal finish

The light comes in the following metal finishes:

- Clear Anodised Aluminium
- Anodised Titanium
- Anodised Bronze
- Polished Nickel Plate

## Dimensions

Depth/1.46"  
Light Diameter/3.15"  
Tail Length/19"

## Electrical

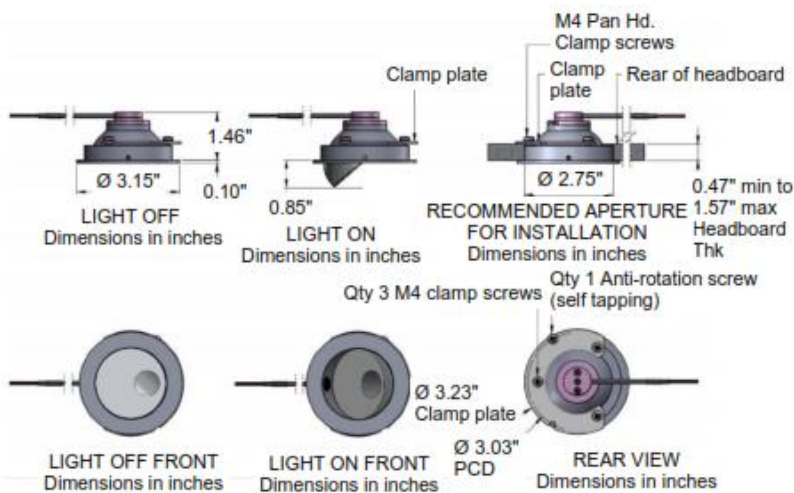
The light uses 1.3 Watts of energy and requires a 12v DC power Supply.

The Sirocco ID light is available in the following LED colours.

- Warm White
- Cool White

## Additional information

The Sirocco ID Slim Integral Bezel light requires a driver for installing on a Mains voltage circuit. This driver should be installed remotely in a suitable area behind the fitting.



IP44



RoHS  
Compliant



Beadlight Ltd

Unit 31B,  
Avenue One, Station Lane,  
Witney OX28 4XZ

LCCB0269-D24-IS2

Tel: 01993 868866  
Web: www.beadlight.com  
Email: contact@beadlight.com

# Beadlight®

# SIROCCO ID

SLIM (INTEGRAL BEZEL)

Sirocco Range/Installation Instruction

## Installation Preparation

Installation should only be carried out by a person who is capable and conversant with the current regulations regarding electrical installations in the country the light is being installed.

Please ensure the circuit which the light will be attached is installed and fused correctly according to the country's current regulations.

Ensure that electrical supply is off. Turn the supply off from the distribution board and ensure it can't be inadvertently turned back on.

Identify where the supply cable runs and any other wiring in the wall before deciding on a mounting position for the lamp to ensure no damage occurs to concealed wiring during installation.

If removing an existing fitting, make note of its wiring connections and record which of the supply wires is connected to which terminal. There may be a loop circuit that has wires that are not connected to the L, E or N of the fitting these will need to be connected together and correctly insulated.

## Maintenance Information

The product should only be cleaned with a soft dry cloth no cleaning agents should be used.

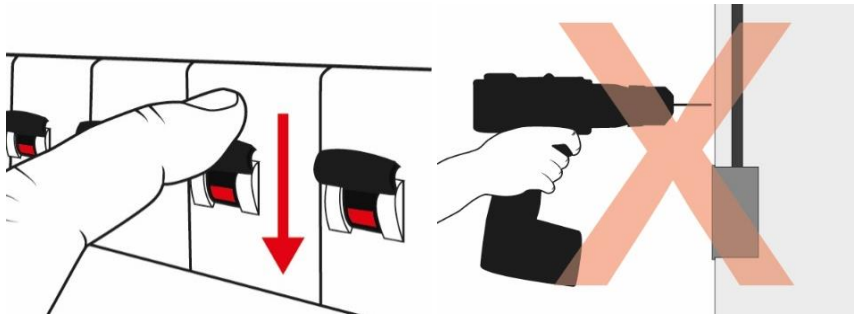
There are no parts that require servicing or maintenance. If there is a problem with a light these need to be returned to Beadlight to be assessed.

## Warranty

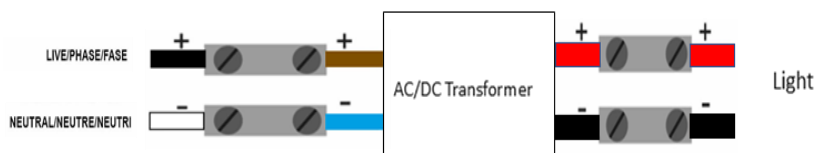
Beadlight Limited will repair or replace a product free of charge if it fails to operate due to manufacturing defects within 5 years of purchase.

This guarantee does not include faults or damage caused by misuse, abuse, neglect, incorrect cleaning, accident or failure to follow assembly/installation instructions provided by Beadlight.

Product disassembly or servicing by non-Beadlight staff will void the warranty.



It is of vital importance that these installation sheets and their associated images are closely studied before undertaking the installation process.



IP44

CE

RoHS  
Compliant



Beadlight Ltd

Unit 31B,  
Avenue One, Station Lane,  
Witney OX28 4XZ

LCCB0269-D24-IS2

Tel: 01993 868866  
Web: [www.beadlight.com](http://www.beadlight.com)  
Email: [contact@beadlight.com](mailto:contact@beadlight.com)

# Beadlight®

Sirocco Range/Installation Instruction

## SIROCCO ID SLIM (INTEGRAL BEZEL)

### Installation Process

A 2.75" hole should be made in the panel (B) where the light is required to be situated. This should cut according to the diagram to ensure a good fit. Measurements are found left or on the technical data sheet provided. See next page for the electrical installation process.

### Electrical

Terminal block not included. Installation may require advice from a qualified person.

The light body (A) can now be placed into the aperture ensuring the cable (C) is not trapped. The light should be rotated within the aperture until it is aligned as required and then the clamp ring should be fitted using 3 M4 screws (E) in the three inner holes. The length of these screws should be proportional to the thickness of the panel the light is going to be mounted in.

A single M3.5x 12mm (or nearest equivalent 6g) wood screw (F) can be fitted in the one of the outer holes to prevent rotation. It only remains now to connect the Beadlight power supply unit if this has been supplied as part of the order and switch on.

If the power supply being used was not provided by Beadlight it is important to ensure that the power supply outputs 12 V DC. It should be a regulated switch mode or linear stabilised power supply rated to at least 300mA. The power supply should be double insulated and should meet the appropriate national approvals (standards) in the country where the product is being installed. Note: Wire colours may vary depending on country.

From the lamp the red wire is 12V DC and the white wire is 0v DC. These wires are to be connected to the corresponding output wires from the 12V DC power supply

Switch the power back on at the distribution board and you light is ready to use.

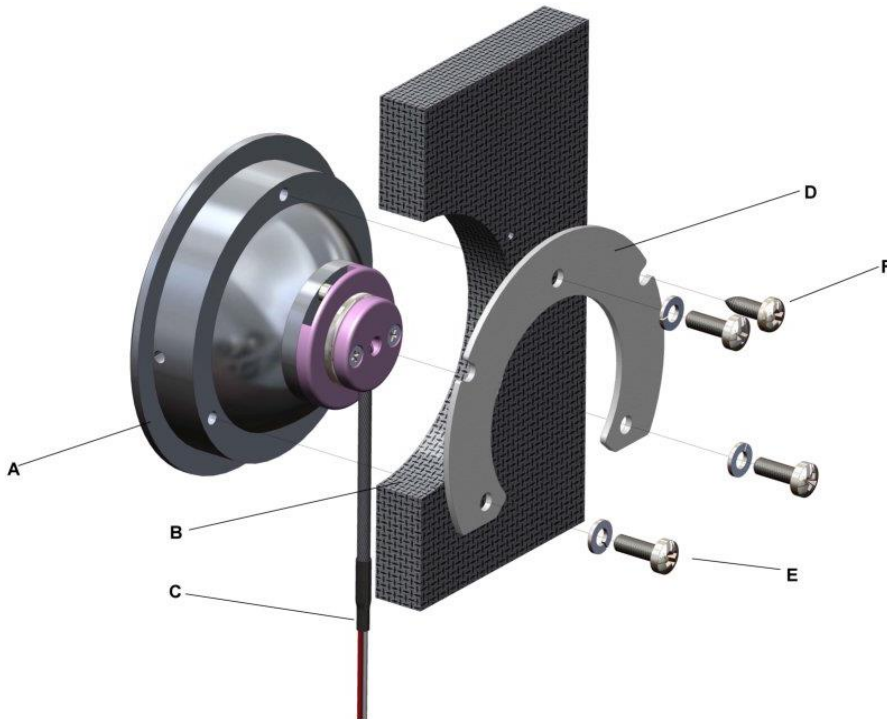
**If in doubt you must seek help from a competent electrical engineer.**

### Other Information

Avoid mounting the unit on damp or newly painted surfaces to avoid discolouration of finish.

If the external cable or cord of this luminaire is damaged, it shall be exclusively replaced by the manufacturer or his or her service agent or a similar qualified person in order to avoid hazard.

The light source of this luminaire is not replaceable; when the light source reaches its end of life the whole luminaire shall be replaced. At the end of the products life it can be returned to Beadlight to be disposed of under the WEEE regulations.



IP44 CE RoHS Compliant



Beadlight Ltd

Unit 31B,  
Avenue One, Station Lane,  
Witney OX28 4XZ

LCCB0269-D24-IS2

Tel: 01993 868866  
Web: www.beadlight.com  
Email: contact@beadlight.com