

## Product Description

The Jet Stream Escutcheon light is a front mounted light which features a flexible stem to allow it to be positioned as required.

## Metal finish

The light comes in the following metal finishes:

- Clear Anodised Aluminium
- Anodised Titanium
- Anodised Bronze
- Polished Nickel Plate

## Leather finish

The light comes in the following leather finishes:

- Chocolate
- Beige
- Black
- Mushroom
- Off White

## Dimensions

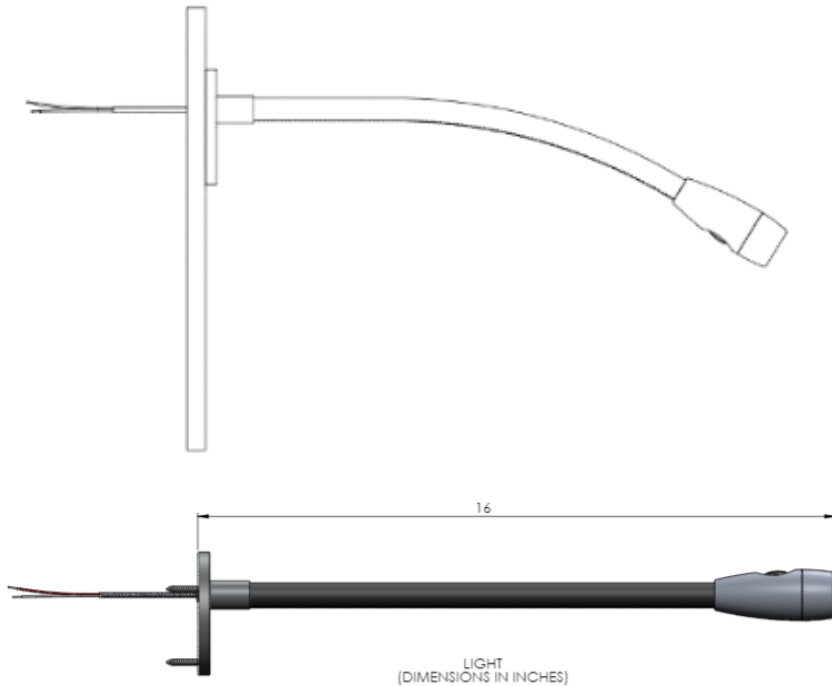
Depth/16"  
Base Diameter/2.8"  
Cable Length/19"

## Electrical

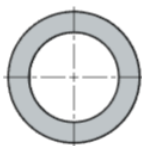
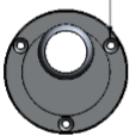
The light uses 1.7 Watts of energy and requires a driver for installing on a Mains voltage circuit. This driver should be installed remotely in a suitable area behind the fitting.

The Jet Stream light is available in the following switching mode and LED colours.

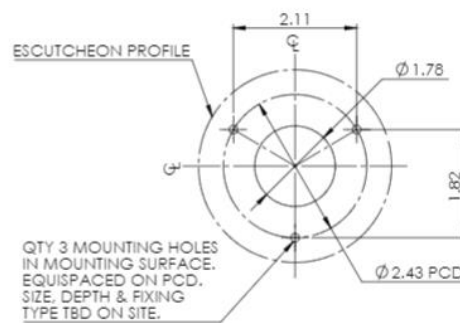
- Warm White/High, Medium, Off
- Cool White/High, Medium, Off



3 CSK FIXING HOLES  
Ø0.18 THROUGH



MOUNTING SEAT & ESCUTCHEON COVER  
(DIMENSIONS IN INCHES)



MOUNTING HOLE DETAILS  
(DIMENSIONS IN INCHES)

IP44



RoHS  
Compliant



Beadlight Ltd

Unit 31B,  
Avenue One, Station Lane,  
Witney OX28 4XZ

LCCB0248-D24-IS2

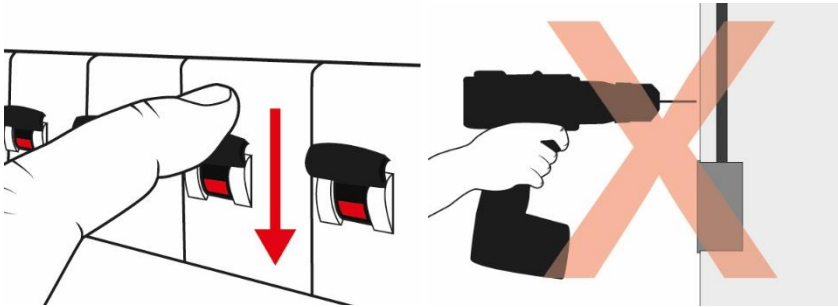
Tel: +44 (0) 1993 868866  
Web: www.beadlight.com  
Email: contact@beadlight.com

# Beadlight®

# JET STREAM

Escutcheon Mount

Jet Stream Range/Installation Instruction



**It is of vital importance that these installation sheets and their associated images are closely studied before undertaking the installation process.**



## Installation Preparation

**Note: This light requires a power supply do not connect it directly to mains.**

Installation should only be carried out by a person who is capable and conversant with the current regulations regarding electrical installations in the country the light is being installed.

Please ensure the circuit to which the light will be attached is installed and fused correctly according to the country's current regulations.

Ensure that electrical supply is off. Turn the supply off from the distribution board and ensure it can't be inadvertently turned back on.

Identify where the supply cable runs and any other wiring in the wall before deciding on a mounting position for the lamp to ensure no damage occurs to concealed wiring during installation.

## Electrical

Terminal block not included. Installation may require advice from a qualified person.

If a power supply is being used that was not supplied by Beadlight it is important to ensure that the power supply outputs 12 V DC.

It should be a regulated switch mode or linear stabilised power supply rated to at least 300mA. The power supply should be double insulated and should meet the appropriate national approvals (standards) in the country where the product is being installed. Note: Wire colours may vary depending on country

From the lamp the Red wire is +12v DC and the Black wire 0v DC. These wires are to be connected to corresponding output wires from the 12v DC power supply.

This light is not intended for looping in.

**If in doubt you must seek help from a competent electrical engineer.**

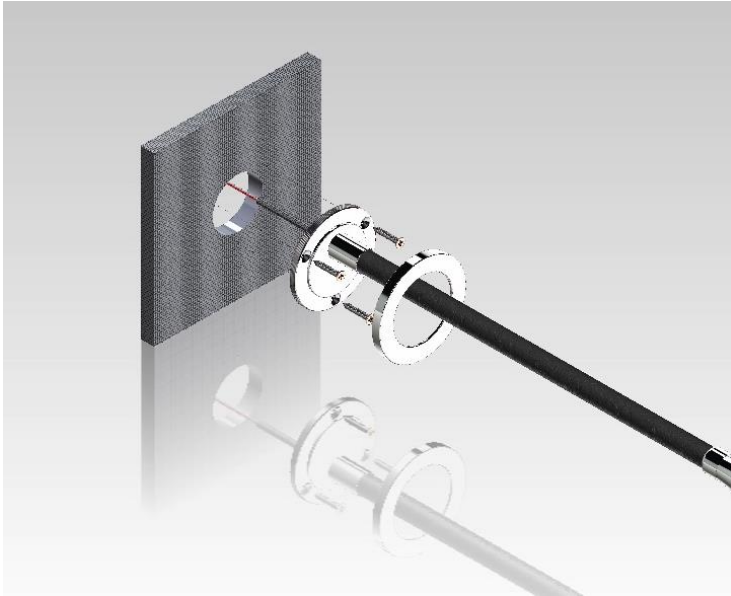


Beadlight Ltd

Unit 31B,  
Avenue One, Station Lane,  
Witney OX28 4XZ

LCCB0248-D24-IS2

Tel: +44 (0) 1993 868866  
Web: [www.beadlight.com](http://www.beadlight.com)  
Email: [contact@beadlight.com](mailto:contact@beadlight.com)



## Installation Process

Drill a hole in your panel in the position that you want to mount the lamp.  
Thread the cable through the hole and then either screw the lights base to the panel with 3 x M4 or (near equivalent (6g) Countersunk wood screws with nuts and washers.

When the light is securely fixed the escutcheon ring can be fitted over the lights head and stem and then screwed down onto the base.

All that remains is to connect the light to a suitable power supply and switch it on using the switch located on the head.

## Warranty

Beadlight Limited will repair or replace a product free of charge if it fails to operate due to manufacturing defects within 5 years of purchase.

This guarantee does not include faults or damage caused by misuse, abuse, neglect, incorrect cleaning, accident or failure to follow assembly/installation instructions provided by Beadlight.

Product disassembly or servicing by non-Beadlight staff will void the warranty

## Maintenance Information

The product should only be cleaned with a soft dry cloth no cleaning agents should be used.

If there is a problem with a light these need to be returned to Beadlight to be assessed.

The light source of this luminaire is not replaceable; when the light source reaches its end of life the whole luminaire shall be replaced. At the end of the products life it can be returned to Beadlight to be disposed of under the WEEE regulations.



Beadlight Ltd

Unit 31B,  
Avenue One, Station Lane,  
Witney OX28 4XZ

LCCB0248-D24-IS2

Tel: +44 (0) 1993 868866  
Web: [www.beadlight.com](http://www.beadlight.com)  
Email: [contact@beadlight.com](mailto:contact@beadlight.com)