

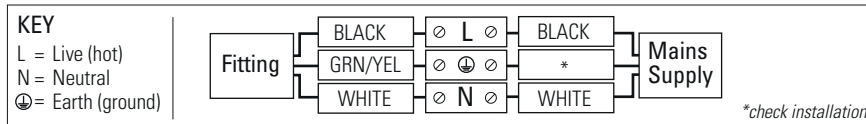
Safety & Installation Instructions

v1.0-11.23

ENG WARNING – RISK OF FIRE AND ELECTRIC SHOCK. THIS PRODUCT IS BEST INSTALLED BY A QUALIFIED ELECTRICIAN. INSTALL IN ACCORDANCE WITH CURRENT NEC WIRING REGULATIONS. SUITABLE FOR DRY LOCATIONS ONLY

FR ATTENTION – RISQUE D'INCENDIE, RISQUE DE CHOC. CE PRODUIT DOIT ÊTRE INSTALLÉ SELON LE CODE D'INSTALLATION PERTINENT, PAR UNE PERSONNE QUI CONNAÎT BIEN LE PRODUIT ET SON FONCTIONNEMENT AINSI QUE LES RISQUES INHÉRENTS. POUR EMPLACEMENTS SECS SEULEMENT L'APPAREIL DOIT ÊTRE MIS À LA TERRE. COUPEZ LE FUSIBLE PRINCIPAL AVANT DE COMMENCER L'INSTALLATION.

1. This fitting should be installed on a 4" junction box (not supplied).
2. Open your existing junction box (if you do not have one in the desired position you will need to get an electrician to install one). If removing an existing fitting first, note all wiring connections: record which of the house wires is connected to the live, neutral and earth (ground) terminals.
3. Attach the bracket to your junction box using two junction box screws (not supplied).
4. In your junction box there should be two supply wires and one ground wire. Connect your new light to the electrical supply using UL approved wire nuts (not supplied). Connect the live (hot) black wire from the power supply to the black conductor on the luminaire, then the white (neutral) wire to the white conductor on the luminaire and bare copper or green/yellow ground wire to the ground terminal or green/yellow wire connected to the fitting.



5. See hanging instructions inside to complete the installation.
6. Fit the correct type and wattage of lamp (or less). Be careful not to overtighten the lamp.
7. Switch on at the fuse-board. Your light fitting is now ready for use.

Other Important Information

Switch off at mains before changing lamp(s). Never fit a lamp of greater wattage than recommended. Ensure children do not play with the light fitting. Dispose of old lamps carefully. Never leave a fitting without a lamp in position (or someone can accidentally touch the contacts). Adjust fitting only when power to the fitting is off and has been left to cool. If the electrical flex or electrical components become damaged at any point, power to the fitting should be disconnected immediately and not operated until the damaged parts are fixed/replaced. For use in dry, indoor environment only. Ensure the fitting does not come into contact with any liquids.

Cleaning and Maintenance

Metal finishes should only be cleaned with a soft, dry cloth. Do not use polishes or abrasives. Switch off power to the fitting before cleaning.

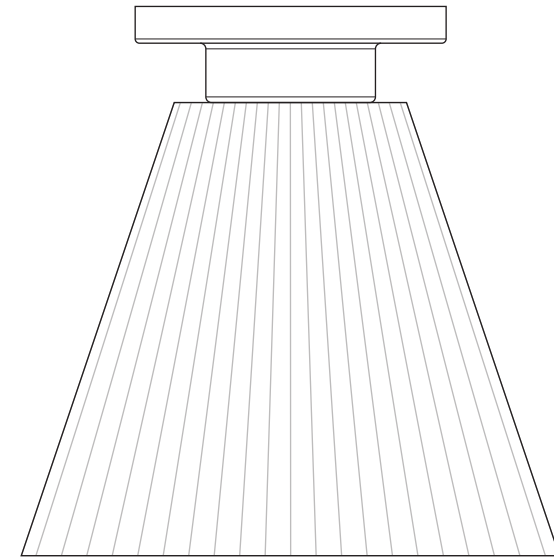
Established in 1990, Original BTC manufactures relaxed, familiar lighting for traditional and contemporary homes. All products are hand-assembled in Oxfordshire from high quality components, produced in the UK.

ORIGINALBTC.COM
 +44 (0)1993 882 251
 UNIT 21 / 22 AVENUE ONE, STATION LANE, WITNEY, OX28 4XZ, ENGLAND

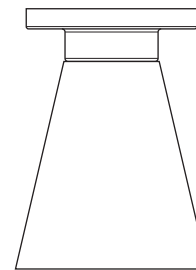


US Bone China Ceiling Light

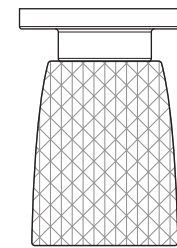
Instruction Manual



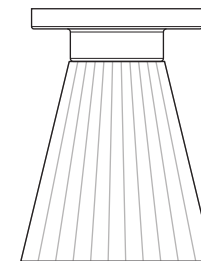
US-FC573



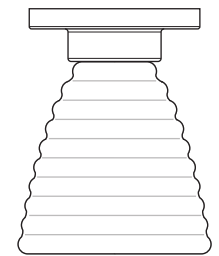
US-FC576



US-FC577



US-FC574






US-FC575

ORIGINAL BTC
 BRITISH LIGHTING MANUFACTURERS
 LONDON - NEW YORK - PARIS



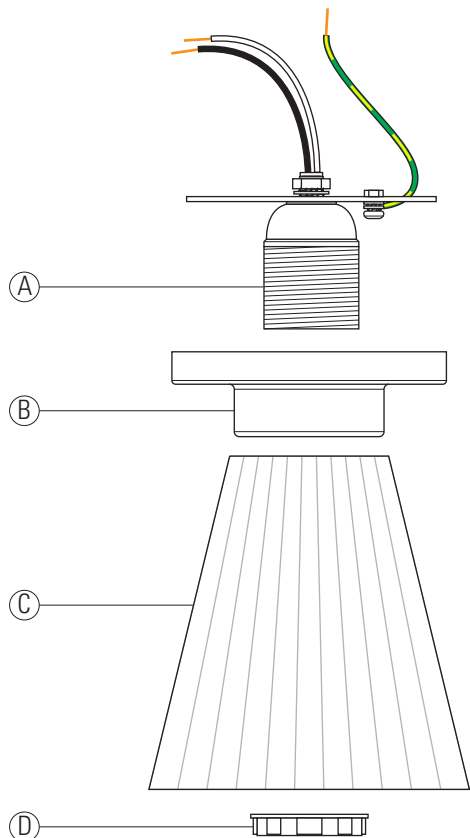
US Hector Medium Pleat Ceiling Light | 120V AC 60Hz | DRY

- US-FC573 Hector Large Pleat Ceiling Light
- US-FC574 Hector Medium Pleat Ceiling Light
- US-FC575 Hector Medium Bibendum Ceiling Light
- US-FC576 Hector Medium Flowerpot Ceiling Light
- US-FC577 Oxford 1 Bone China Ceiling Light

LAMP GUIDANCE			
BASE	SHAPE	TYPE*	WATTAGE**
 E26	 A	 BALL	INCANDESCENT ✓
			CFL ✓
			ECO-HALOGEN ✗
			LED ✓
			40W MAX
			11W
			N/A
			6W

* Warm white (2700k) LED lamps recommended.
 ** Wattage value provided as a guide to suitable lamps. Lower wattage than stated may be used.

Contents



Contents

- A Bracket & lampholder
- B Ceiling rose
- C Shade
- D Shade ring

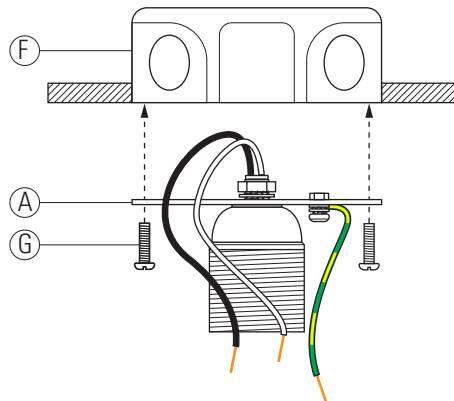
Required For Assembly

- E Wire nuts*
- F Junction box*
- G Junction box screws*
- * *Not included*

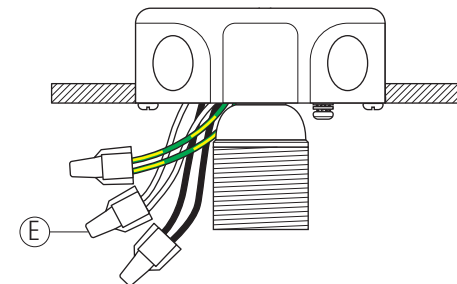
PLEASE READ THE INSTRUCTIONS ON THE REVERSE BEFORE YOU BEGIN INSTALLING YOUR LIGHT

Installation Diagram

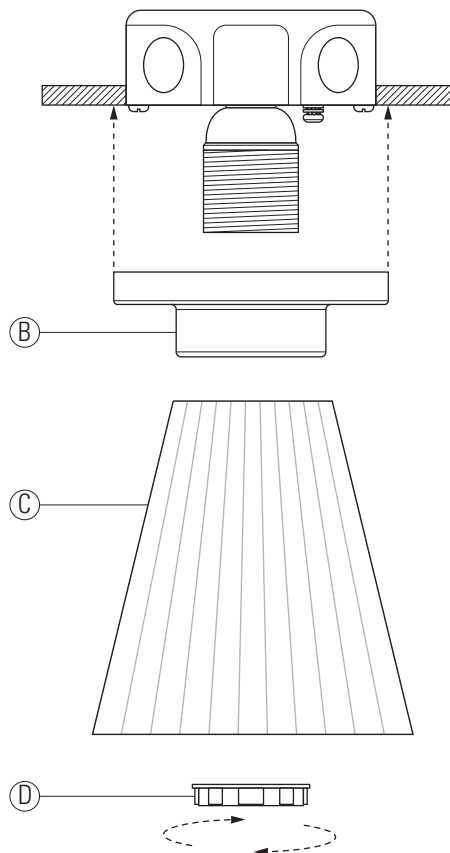
STEP 1



STEP 2



STEP 3



Written Instructions

Please read through all instructions on the back page before attempting to install your light.

STEP 1 - Attach the bracket (A) to the junction box (F) using suitable junction box screws (G).

STEP 2 - Make the electrical connections using suitable wire nuts (E).

STEP 3 - Insert the ceiling rose (B) over the lampholder skirt, followed by the shade (C). Secure the ceiling rose & shade in position by screwing on the shade ring (D).