

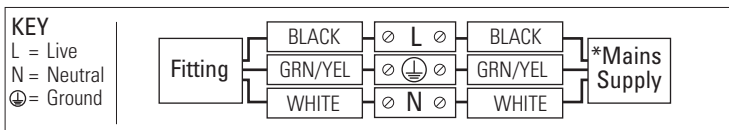
# Safety & Installation Instructions

v1.2-05.19

ENG WARNING – RISK OF FIRE AND ELECTRIC SHOCK. THIS PRODUCT IS BEST INSTALLED BY A QUALIFIED ELECTRICIAN. INSTALL IN ACCORDANCE WITH CURRENT NEC WIRING REGULATIONS. SUITABLE FOR DRY LOCATIONS ONLY.

FR ATTENTION – RISQUE D'INCENDIE, RISQUE DE CHOC. CE PRODUIT DOIT ÊTRE INSTALLÉ SELON LE CODE D'INSTALLATION PERTINENT, PAR UNE PERSONNE QUI CONNAÎT BIEN LE PRODUIT ET SON FONCTIONNEMENT AINSI QUE LES RISQUES INHÉRENTS. POUR EMPLACEMENT SECS SEULEMENT. L'APPAREIL DOIT ÊTRE MIS À LA TERRE. COUPEZ LE FUSIBLE PRINCIPAL AVANT DE COMMENCER L'INSTALLATION.

1. If you are in any doubt consult a qualified electrician as to the installation of the fitting. Install in accordance with current NEC wiring regulations. It is recommended that this fitting is installed by a qualified electrician.
2. Ensure that the electrical supply is OFF. Disconnect the electrical supply at the fuse-board.
3. If removing an existing fitting first, note all wiring connections: record which of the house wires is connected to the live, neutral and earth terminals.
4. Carefully identify where the supply cable is (and check there are no other cables in the area) to avoid damage to concealed wiring during installation.
5. Position the light where desired ensuring that there is access to a suitable junction box for the fixture.
6. Using your existing junction box, use a screwdriver to open the junction box. Keep the two existing screws. This fitting should be installed on a 4" junction box (not supplied).
7. Support the fitting so that no strain is applied to the wiring when making the electrical connections. If necessary get a colleague to help.
8. Electrical connection: this light fitting must be grounded. In your junction box there should be two supply and one ground wire. Connect the power supply (live) Black wire to the Black conductor on the lamp cord, neutral White wire to the White conductor on the lamp cord and ground wire (normally green & yellow or bare copper) to the green/yellow wire.



9. Double check all the connections are secure and that no loose strands of wire are left out of the connectors, then fit all the wires and connections back into the junction box.
10. Check that no wires are trapped behind or within the fitting and complete the installation, referring to the installation diagram inside.
11. Fit the correct type and wattage of lamp (or less). Be careful not to overtighten the lamp.
12. Switch on at the fuse-board. Your light fitting is now ready for use.

## Other Important Information

Switch off at mains before changing lamp(s). Never fit a lamp of greater wattage than recommended. Ensure children do not play with the light fitting. Dispose of old lamps carefully. Never leave a fitting without a lamp in position (or someone can accidentally touch the contacts). Adjust fitting only when power to the fitting is off and has been left to cool. If the electrical flex or electrical components become damaged at any point, power to the fitting should be disconnected immediately and not operated until the damaged parts are fixed/replaced. For use in dry, indoor environment only. Ensure the fitting does not come into contact with any liquids.

## Cleaning and Maintenance

Metal finishes should only be cleaned with a soft, dry cloth. Do not use polishes or abrasives. Bone china can be cleaned by hand, using a soft damp cloth with a diluted mild detergent (nonabrasive) if necessary. Switch off power to the fitting before cleaning. Spare parts are available for this product, please contact us on the details below.

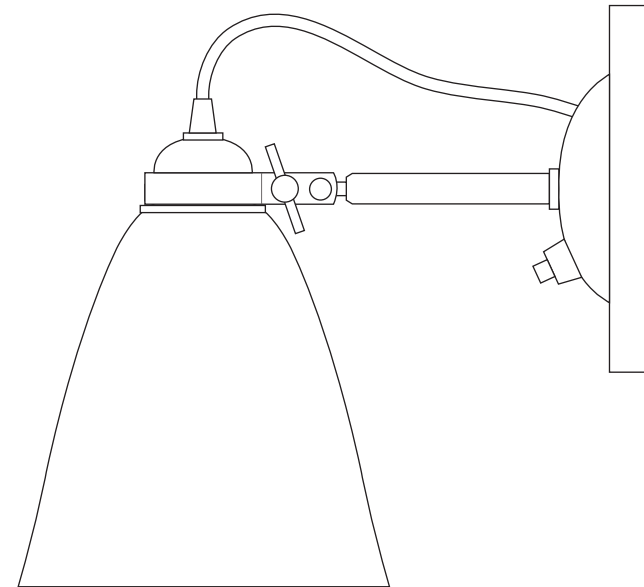
Established in 1990, Original BTC manufactures relaxed, familiar lighting for traditional and contemporary homes. All products are hand-assembled in Oxford from high quality components, produced in the UK.

ORIGINALBTC.COM  
+44 (0)1993 882 251  
UNIT 21 / 22 AVENUE ONE, STATION LANE, WITNEY, OX28 4XZ, ENGLAND



# Hector Medium Switched Wall Light

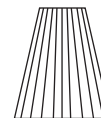
## Instruction Manual



Medium Dome  
US-FW397



Medium Pleat  
US-FW507



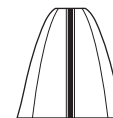
Medium Flowerpot  
US-FW412



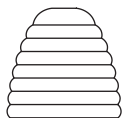
Circle Line  
US-FW397CL



Linear  
US-FW522



Bibendum  
US-FW509



ORIGINAL BTC  
BRITISH LIGHTING MANUFACTURERS  
LONDON • NEW YORK • PARIS






# Hector Medium Switched Wall Light

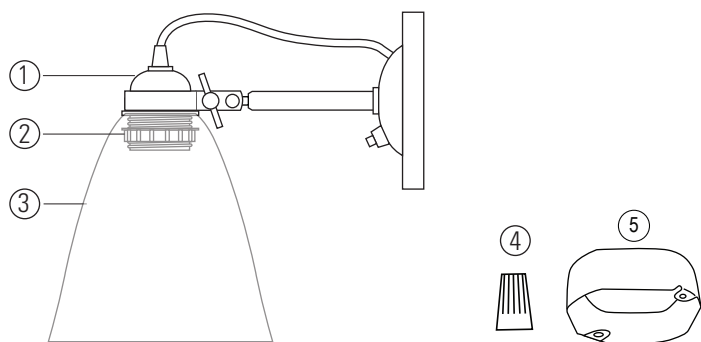
| 120V ac 60Hz | IP20 |

US-FW397	Hector Medium Dome	US-FW397/CL	Circle Line, Medium
US-FW507	Hector Medium Pleat	US-FW522	Linear, Medium
US-FW412	Hector Medium Flowerpot	US-FW509	Hector Bibendum

A British design classic in translucent bone china. With its moveable shade and smart cotton braided flex, the Hector Medium Switched Wall light marries style and function. The range includes a selection of simple bone china pendants, floor lights and table lights, with several shade varieties.

LAMP GUIDANCE Hector Medium			
BASE	SHAPE	TYPE*	WATTAGE**
 E26	 A  BALL	INCANDESCENT ✓	40W MAX
		CFL ✓	11W
		ECO-HALOGEN ✗	n/a
		LED ✓	7W

\* Warm white (2700k) low energy lamps recommended.  
 \*\* Wattage value provided as a guide to suitable lamps. Lower wattage than stated may be used.



### Contents

- 1 - Base plate/stem/lampholder
- 2 - Shade ring
- 3 - Shade

### Required for Installation

- Screwdriver, flat-head
- Small screwdriver, flat-head
- Drill (if holes are required)
- 3 x Wire Nuts (4)
- Junction box

PLEASE READ THE INSTRUCTIONS ON THE REVERSE BEFORE YOU BEGIN INSTALLING YOUR LIGHT

## Installation and Assembly Instructions

This product is made from Fine Bone China; take care when handling this product during installation. Excessive force can cause damages or breakages.

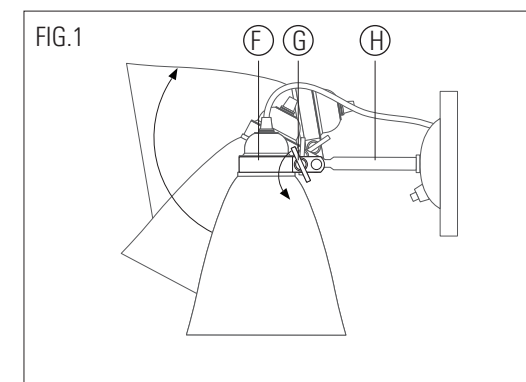
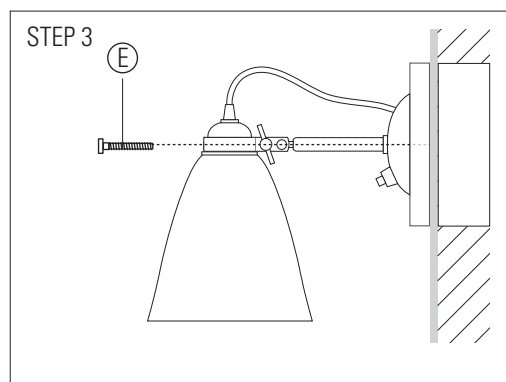
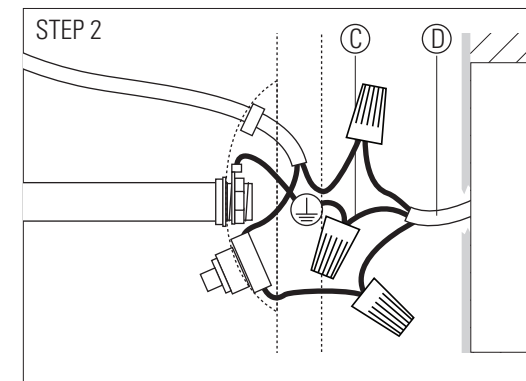
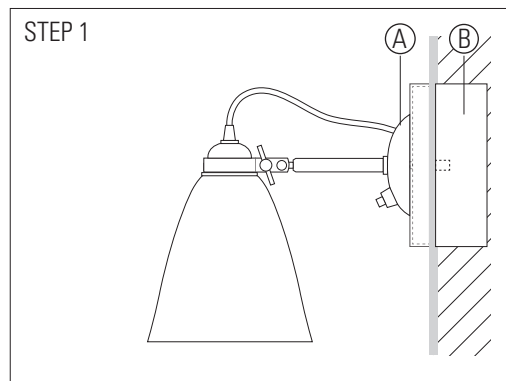
Refer to diagrams on opposite page.

**STEP 1**  
This light is designed to fit over a standard junction box. you may need an electrician to install one.

**STEP 2**  
Make electrical connection, see point 5 overleaf.

**STEP 3**  
Screw base plate to wall, taking care not to apply excessive force when screwing in screws as this can damage the base plate. Do not overtighten. Do NOT use power tools.

## Installation Diagram



### Key

A Backplate	D Main Supply	G Clamp handle
B Junction Box*	E Junction box screws*	H Stem
C Wire Nuts*	F Clamp handle	

\*Not supplied

## Adjusting Shade

- See fig.1. With one hand supporting the shade, gently loosen the clamp handle (E). One quarter-turn, in an anti-clockwise direction should be sufficient.
- The shade can then be moved into desired position, ensuring the clamp remains attached to the stem, but without applying excessive force to the washers on the inside of the clamp. Ensure the shade is still supported whilst adjusting position.
- Secure in place by gently tightening clamp handle, **taking care NOT to overtighten**, as this can damage the clamp.
- Do not adjust the position of the shade without loosening the clamp first, as this will damage the washers.