

Safety & Installation Instructions

v1.2-05.19

ENG WARNING – RISK OF FIRE AND ELECTRIC SHOCK. THIS PRODUCT IS BEST INSTALLED BY A QUALIFIED ELECTRICIAN. INSTALL IN ACCORDANCE WITH CURRENT NEC WIRING REGULATIONS.

SUITABLE FOR DRY LOCATIONS ONLY

THE FITTING MUST BE GROUNDED. TURN OFF POWER AT THE MAIN FUSE BEFORE COMMENCING INSTALLATION.

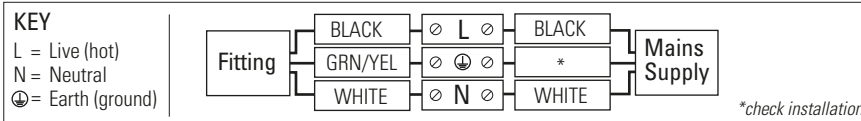
FR ATTENTION – RISQUE D'INCENDIE, RISQUE DE CHOC.

CE PRODUIT DOIT ÊTRE INSTALLÉ SELON LE CODE D'INSTALLATION PERTINENT, PAR UNE PERSONNE QUI CONNAÎT BIEN LE PRODUIT ET SON FONCTIONNEMENT AINSI QUE LES RISQUES INHÉRENTS.

POUR EMPLACEMENTS SECS SEULEMENT

L'APPAREIL DOIT ÊTRE MIS À LA TERRE. COUPEZ LE FUSIBLE PRINCIPAL AVANT DE COMMENCER L'INSTALLATION.

1. Prepare the fitting for installation- consulting the instructions and diagrams on the inside page. Once desired drop of pendant is established, the cable length may be shortened. If cable is desired length already, then skip to instruction point number 3.
2. To shorten cable:-
 - a. Establish required length of cable (ensuring there is some slack) before using wire cutters to cut.
 - b. Remove the outer insulation from the last 6" of the end of the cable, then remove the last 1/4" of inner sleeving from both cables to expose the wire.
 - c. Make sure that when stripping the outer cable no damage occurs to the interior cable.
3. This fitting should be installed on a 4" junction box (not supplied).
4. Open your existing junction box (if you do not have one in the desired position you will need to get an electrician to install one). If removing an existing fitting first, note all wiring connections: record which of the house wires is connected to the live, neutral and earth (ground) terminals.
5. Attach the fixing plate to your junction box using the two existing bolts.
6. In your junction box there should be two supply wires and one ground wire. Connect your new lamp to the electrical supply using UL approved wire nuts. Connect the live (hot) black wire from the power supply to the black conductor on the luminaire cable, then the white (neutral) wire to the white conductor on the luminaire cable and bare copper or green/yellow ground wire to the ground terminal or green/yellow wire connected to the fitting.



7. Support the fitting so that no strain is applied to the wiring when making the electrical connections. If necessary get a colleague to help.
8. See hanging instructions inside to complete the installation.
9. Fit the correct type and wattage of lamp (or less). Be careful not to overtighten the lamp.
10. Switch on at the fuse-board. Your light fitting is now ready for use.

Other Important Information

Switch off at mains before changing lamp(s). Never fit a lamp of greater wattage than recommended. Ensure children do not play with the light fitting. Dispose of old lamps carefully. Never leave a fitting without a lamp in position (or someone can accidentally touch the contacts). Adjust fitting only when power to the fitting is off and has been left to cool. If the electrical flex or electrical components become damaged at any point, power to the fitting should be disconnected immediately and not operated until the damaged parts are fixed/replaced. For use in dry, indoor environment only. Ensure the fitting does not come into contact with any liquids.

Cleaning and Maintenance

Metal finishes should only be cleaned with a soft, dry cloth. Do not use polishes or abrasives. Switch off power to the fitting before cleaning.

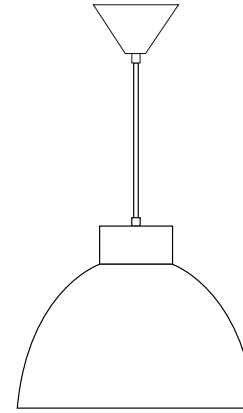
Established in 1990, Original BTC manufactures relaxed, familiar lighting for traditional and contemporary homes. All products are hand-assembled in Oxford from high quality components, produced in the UK.

ORIGINALBTC.COM
+44 (0)1993 882 251
UNIT 21 / 22 AVENUE ONE, STATION LANE, WITNEY, OX28 4XZ, ENGLAND

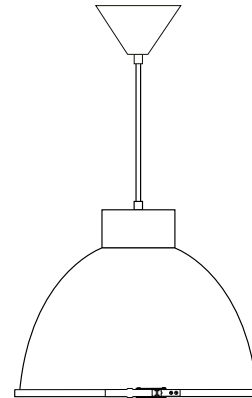


Giant Pendant

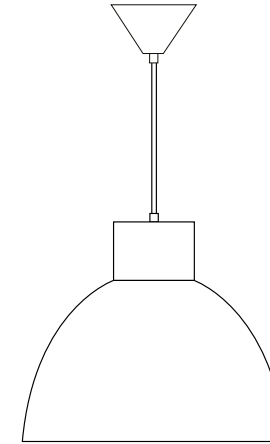
Instruction Manual



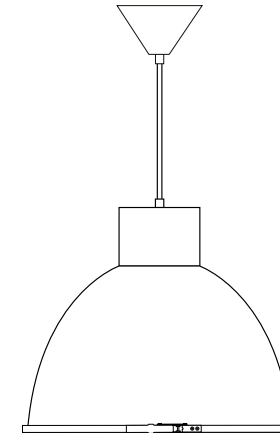
Giant Size 0 Pendant Light,
US-FP233



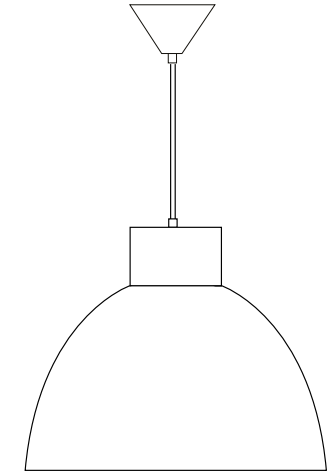
Giant 0 Pendant Light with Wired Glass
US-FP233/GL00W



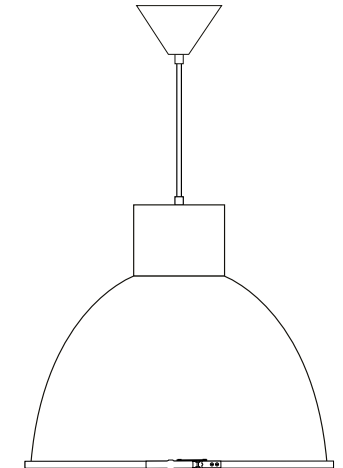
Giant Size 1 Pendant Light,
US-FP066



Giant 1 Pendant Light with Wired Glass
US-FP066/GL01W



Giant Size 2 Pendant Light,
US-FP065



Giant 2 Pendant Light with Wired Glass
US-FP065/GL02W




ORIGINAL BTC
BRITISH LIGHTING MANUFACTURERS
LONDON • NEW YORK • PARIS



Giant Pendant

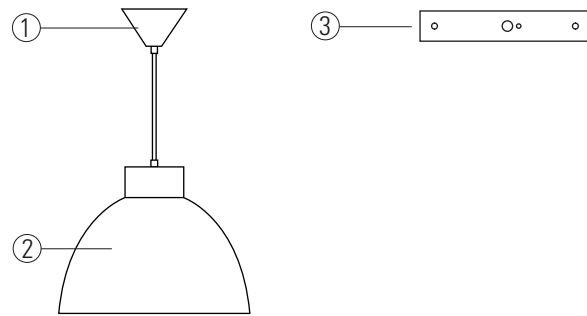
| 120V ac 60Hz | IP20 |

US-FP233 Giant Size 0 Pendant Light US-FP233/GL00W Giant 0 Pendant Light with Wired Glass
 US-FP066 Giant Size 1 Pendant Light US-FP066/GL01W Giant 1 Pendant Light with Wired Glass
 US-FP065 Giant Size 2 Pendant Light US-FP065/GL02W Giant 2 Pendant Light with Wired Glass

LAMP GUIDANCE Giant Pendants			WATTAGE**		
BASE	SHAPE	TYPE*	FP233, FP066, FP065, FP065/GL	FP233/GL	FP066/GL
		INCANDESCENT ✓	100W MAX	40W MAX	60W MAX
		CFL ✓	20W	11W	15W
		ECO-HALOGEN ✓	70W	28W	42W
		LED ✓	18W	7W	12W

* Warm white (2700k) low energy lamps recommended.
 ** Wattage value provided as a guide to suitable lamps. Lower wattage than stated may be used.

Contents

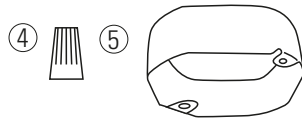


Contents

- 1 Ceiling Rose
- 2 Shade
- 3 Bracket

Tools/Hardware Required

- Screwdriver
- Wire Nuts (4)
- Junction Box (5)



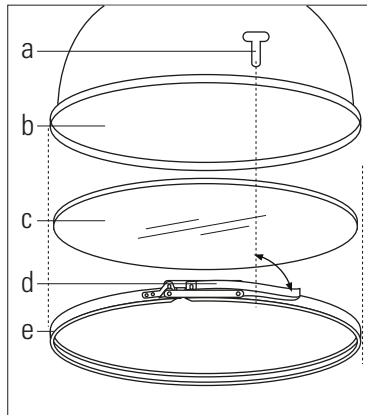
Visor Instructions

If specified, a frosted glass visor will be supplied with the fitting. Prior to installation, this should be removed:

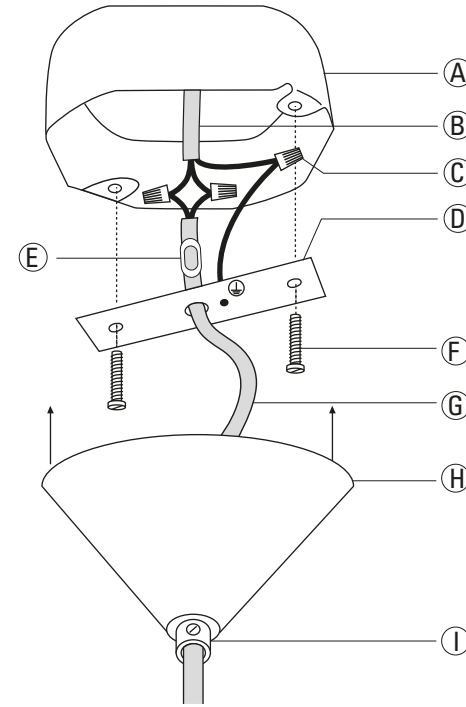
- Remove tab (a) from clip (d).
- Whilst supporting the glass (c) with one hand, undo clip to remove glass.

Install fitting as described on opposite & reverse pages, then fit visor to fitting:

- Hold the glass in place against the opening of the reflector (b),
- Close the clip to close the visor band (e) around the rim of the reflector and the underside of the glass, so the visor band supports the glass. Make sure the band secures only around the rim as it could mark the shade if lined up incorrectly.
- Insert tab into clip, bending top and bottom around clip to hold visor band securely to the reflector.



Installation Diagram



Key

- A Junction Box*
- B Main Supply
- C Wire Nuts*
- D Mounting Bracket
- E Cord Restraint
- F Junction Box Screws*
- G Luminaire Cable
- H Ceiling Rose
- I Cord Grip
- *not supplied

Hanging Instructions

Refer to diagram above.

STEP 1

Determine the required drop of the fitting and adjust luminaire cable (G) length as necessary. Follow point 2 overleaf.

STEP 2

Screw the mounting bracket (D) to the junction box using existing screws.

STEP 3

Make connection to the mains supply (follow points 5 - 7 overleaf), using suitable wire nuts.

STEP 4

The ceiling rose can now be pushed up over the bracket and the connection: Loosen the screw on the cord grip (I) before pushing the ceiling rose up so that it sits flush against the ceiling, then tighten the grub screw to hold the ceiling rose in position. Do not overtighten grub screw.

PLEASE READ THE INSTRUCTIONS ON THE REVERSE BEFORE YOU BEGIN INSTALLING YOUR LIGHT