

ENG WARNING – RISK OF FIRE AND ELECTRIC SHOCK. THIS PRODUCT IS BEST INSTALLED BY A QUALIFIED ELECTRICIAN. INSTALL IN ACCORDANCE WITH CURRENT NEC WIRING REGULATIONS.

SUITABLE FOR DRY LOCATIONS ONLY

THE FITTING MUST BE GROUNDED. TURN OFF POWER AT THE MAIN FUSE BEFORE COMMENCING INSTALLATION.

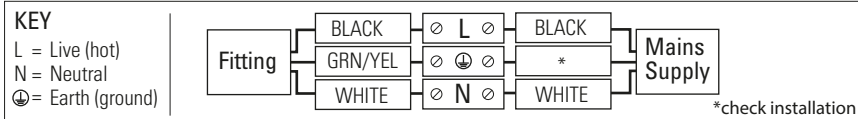
FR ATTENTION – RISQUE D'INCENDIE, RISQUE DE CHOC.

CE PRODUIT DOIT ÊTRE INSTALLÉ SELON LE CODE D'INSTALLATION PERTINENT, PAR UNE PERSONNE QUI CONNAÎT BIEN LE PRODUIT ET SON FONCTIONNEMENT AINSI QUE LES RISQUES INHÉRENTS.

POUR EMPLACEMENTS SECS SEULEMENT

L'APPAREIL DOIT ÊTRE MIS À LA TERRE. COUPEZ LE FUSIBLE PRINCIPAL AVANT DE COMMENCER L'INSTALLATION.

1. Prepare the fitting for installation- consulting the instructions and diagrams on the inside page. Once desired drop of pendant is established, the cable length may be shortened. If cable is desired length already, then skip to instruction point number 3.
2. To shorten cable:-
  - a. Establish required length of cable (ensuring there is some slack) before using wire cutters to cut.
  - b. Remove the outer insulation from the last 6" of the end of the cable, then remove the last 1/4" of inner sleeving from both cables to expose the wire.
  - c. Make sure that when stripping the outer cable no damage occurs to the interior cable.
  - d. Steel wire can be shortened with wire cutters. The cable MUST be longer than the wire.
3. This fitting should be installed on a 4" junction box (not supplied).
4. Open your existing junction box (if you do not have one in the desired position you will need to get an electrician to install one). If removing an existing fitting first, note all wiring connections: record which of the house wires is connected to the live, neutral and earth (ground) terminals.
5. Attach the fixing plate to your junction box using the two existing bolts.
6. In your junction box there should be two supply wires and one ground wire. Connect your new lamp to the electrical supply using UL approved wire nuts. Connect the live (hot) black wire from the power supply to the black conductor on the luminaire cable, then the white (neutral) wire to the white conductor on the luminaire cable and bare copper or green/yellow ground wire to the ground terminal or green/yellow wire connected to the fitting.



7. Support the fitting so that no strain is applied to the wiring when making the electrical connections. If necessary get a colleague to help.
8. See hanging instructions inside to complete the installation.
9. Fit the correct type and wattage of lamp (or less). Be careful not to overtighten the lamp.
10. Switch on at the fuse-board. Your light fitting is now ready for use.

### Other Important Information

Switch off at mains before changing lamp(s). Never fit a lamp of greater wattage than recommended. Ensure children do not play with the light fitting. Dispose of old lamps carefully. Never leave a fitting without a lamp in position (or someone can accidentally touch the contacts). Adjust fitting only when power to the fitting is off and has been left to cool. If the electrical flex or electrical components become damaged at any point, power to the fitting should be disconnected immediately and not operated until the damaged parts are fixed/replaced. For use in dry, indoor environment only. Ensure the fitting does not come into contact with any liquids.

### Cleaning and Maintenance

Metal finishes should only be cleaned with a soft, dry cloth. Do not use polishes or abrasives. Glass can be cleaned with a suitable glass cleaner. Switch off power to the fitting before cleaning.

Established in 1990, Original BTC manufactures relaxed, familiar lighting for traditional and contemporary homes.

All products are hand-assembled in Oxford from high quality components, produced in the UK.

ORIGINALBTC.COM

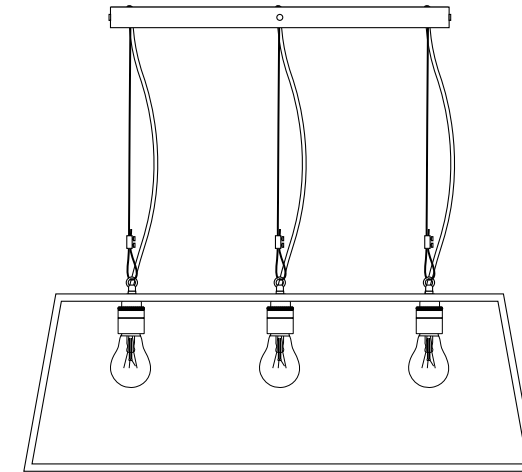
+44 (0)1993 882 251

UNIT 21 / 22 AVENUE ONE, STATION LANE, WITNEY, OX28 4XZ, ENGLAND

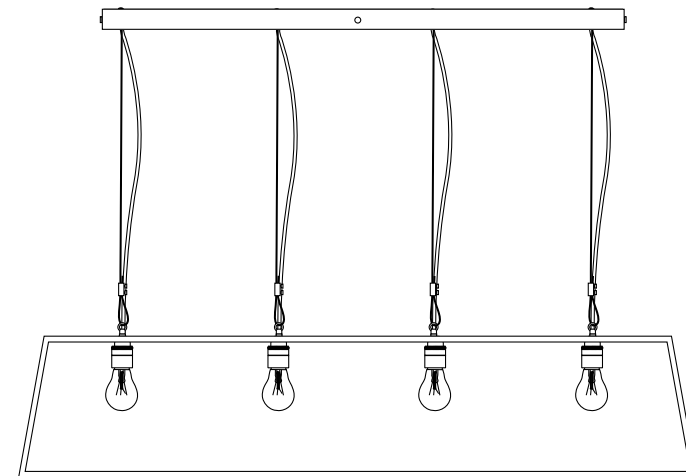


## ORIGINAL BTC

BRITISH LIGHTING MANUFACTURERS  
LONDON - NEW YORK - PARIS



US-DP7632/75



US-DP7632/125

# Diner Pendants 7632/75-7632/125

| 120V ac 60Hz | IP20

US-DP7632/75 Diner Pendant

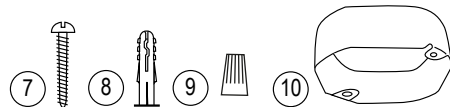
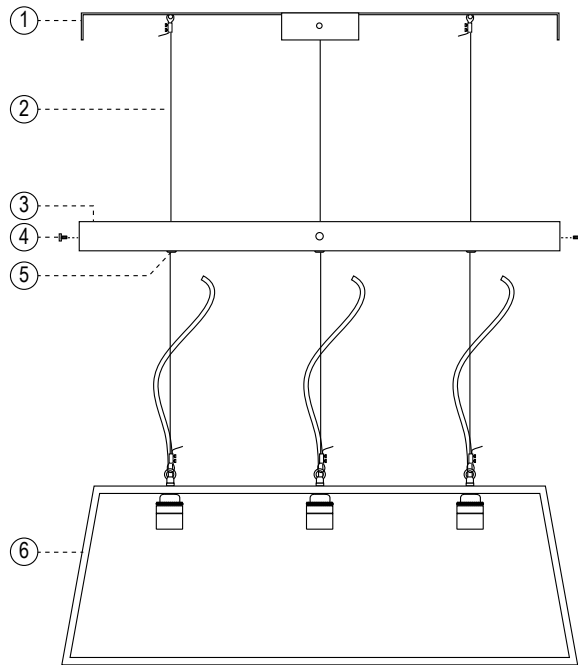
US-DP7632/125 Diner Pendant

The diner pendant is available in two lengths, featuring 3 or 4 lampholders, with glass on four sides with an open top and base. Suitable for interior use.

LAMP GUIDANCE			
BASE	SHAPE	TYPE*	WATTAGE**
E26	GLS <del>BALL</del>	INCANDESCENT ✓	60W MAX
		CFL ✓	15W
		ECO-HALOGEN ✓	28W
		LED ✓	12W

\* Warm white (2700k) low energy lamps recommended.  
 \*\* Wattage value provided as a guide to suitable lamps. Lower wattage than stated may be used.

## Contents



## Contents

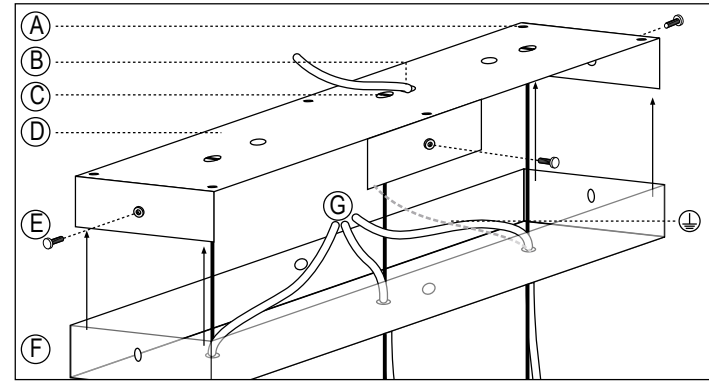
- 1 - Ceiling fixing plate
- 2 - Steel wire assembly
- 3 - Fixing plate cover
- 4 - Gallery screws x 4
- 5 - Cable entry grommets
- 6 - Glazed box pendant
- 7 - Fixing screws x 6
- 8 - Rawl plugs x 6

## Required for Installation

- Screwdriver, flat-head
  - Small screwdriver, flat-head
  - Drill (if holes are required)
  - 3 x Wire nuts (9)\*
  - Junction box (10)\*
- \*not supplied.

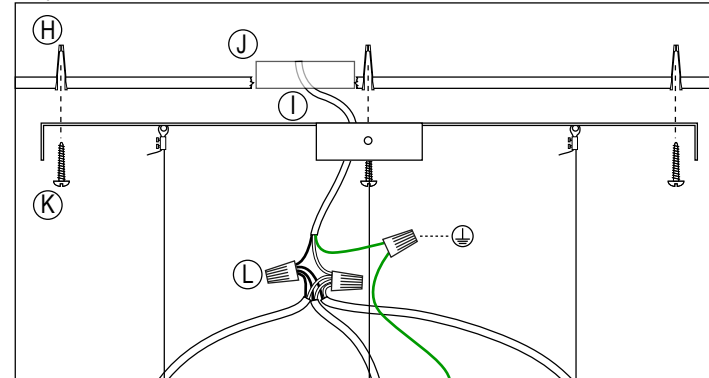
## Installation Diagram

### Fixing box diagram



- A 5mm Fixing Holes
- B Mains Cable Entry Hole
- C Wire Supports
- D Ceiling Fixing Plate
- E M5 Gallery Screws
- F Fixing Plate Cover
- G Luminaire Flex
- H Rawl Plugs
- I Main Supply
- J Junction Box (Existing)
- K Fixing Screws
- L Wire Nuts
- M Wire Grips

### Step 1

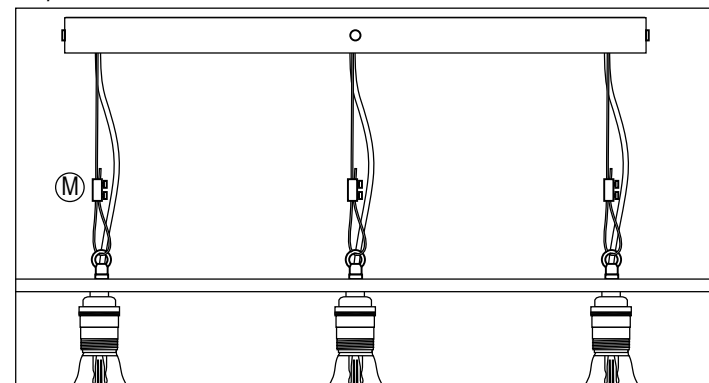


Feed main supply through chosen cable entry of fixing plate, then follow instructions overleaf to fix plate to ceiling.

Insert steel wire assemblies through grommets in cover (F) and feed through loops on top of box pendant, securing in position with wire grips (tighten firmly). Make any final adjustments to the drop of light.

Feed flex through bottom of cover then follow instructions overleaf to make electrical connection to main supply.

### Step 2



Once wired, check grips are tightened securely, then push fixing plate cover over fixing plate, securing in place with gallery screws. Feed any excess flex into ceiling box.

PLEASE READ THE INSTRUCTIONS ON THE REVERSE BEFORE YOU BEGIN INSTALLING YOUR LIGHT