

Safety & Installation Instructions

v2.1 -03.24

ENG WARNING – RISK OF FIRE AND ELECTRIC SHOCK. THIS PRODUCT IS BEST INSTALLED BY A QUALIFIED ELECTRICIAN.

INSTALL IN ACCORDANCE WITH CURRENT NEC WIRING REGULATIONS.

SUITABLE FOR DRY LOCATIONS ONLY

TURN OFF POWER AT THE MAIN FUSE BEFORE COMMENCING INSTALLATION.

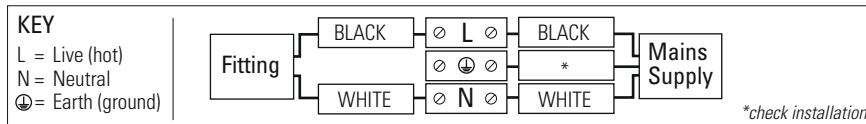
FR ATTENTION – RISQUE D'INCENDIE, RISQUE DE CHOC.

CE PRODUIT DOIT ÊTRE INSTALLÉ SELON LE CODE D'INSTALLATION PERTINENT, PAR UNE PERSONNE QUI CONNAÎT BIEN LE PRODUIT ET SON FONCTIONNEMENT AINSI QUE LES RISQUES INHÉRENTS.

POUR EMBLEMENTS SECS SEULEMENT

COUPEZ LE FUSIBLE PRINCIPAL AVANT DE COMMENCER L'INSTALLATION.

1. Prepare the fitting for installation- consulting the instructions and diagrams on the inside page. Once desired drop of pendant is established, the cable length may be shortened. If cable is desired length already, then skip to instruction point number 3.
2. To shorten cable:-
 - a. Establish required length of cable (ensuring there is some slack) before using wire cutters to cut.
 - b. Remove the outer insulation from the last 6" of the end of the cable, then remove the last 1/4" of inner sleeving from both cables to expose the wire.
 - c. Make sure that when stripping the outer cable no damage occurs to the interior cable.
3. This fitting should be installed on a 4" junction box (not supplied).
4. Open your existing junction box (if you do not have one in the desired position you will need to get an electrician to install one). If removing an existing fitting first, note all wiring connections: record which of the house wires is connected to the live, neutral and earth (ground) terminals.
5. The ceiling rose will be attached to the junction box using the existing junction box screws.
6. In your junction box there should be two supply wires and one ground wire. Connect your new lamp to the electrical supply using UL approved wire nuts. Connect the live (hot) black wire from the power supply to the black conductor on the luminaire cable, then the white (neutral) wire to the white conductor on the luminaire cable and bare copper or green/yellow ground wire should be terminated inside the junction box (do not connect to fitting).



7. Support the fitting so that no strain is applied to the wiring when making the electrical connections. If necessary get a colleague to help.
8. See hanging instructions inside to complete the installation.
9. Fit the correct type and wattage of lamp (or less). Be careful not to overtighten the lamp.
10. Switch on at the fuse-board. Your light fitting is now ready for use.

Other Important Information

Switch off at mains before changing lamp(s). Never fit a lamp of greater wattage than recommended. Ensure children do not play with the light fitting. Dispose of old lamps carefully. Never leave a fitting without a lamp in position (or someone can accidentally touch the contacts). Adjust fitting only when power to the fitting is off and has been left to cool. If the electrical flex or electrical components become damaged at any point, power to the fitting should be disconnected immediately and not operated until the damaged parts are fixed/replaced. For use in dry, indoor environment only. Ensure the fitting does not come into contact with any liquids.

Cleaning and Maintenance

Bone china can be cleaned using a soft damp cloth or with a suitable mild (non-abrasive) detergent. Switch off power to the fitting before cleaning.

Established in 1990, Original BTC manufactures relaxed, familiar lighting for traditional and contemporary homes.

All products are hand-assembled in Oxfordshire from high quality components, produced in the UK.

ORIGINALBTC.COM

+44 (0)1993 882 251

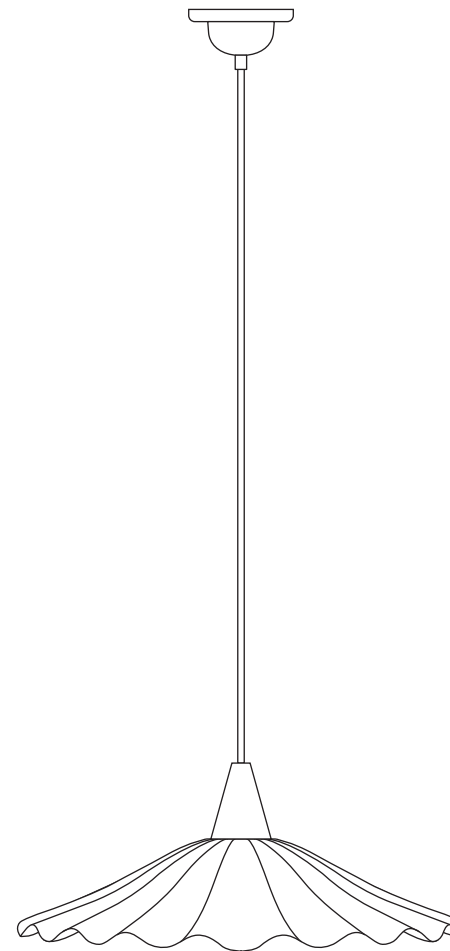
UNIT 21 / 22 AVENUE ONE, STATION LANE, WITNEY, OX28 4XZ, ENGLAND



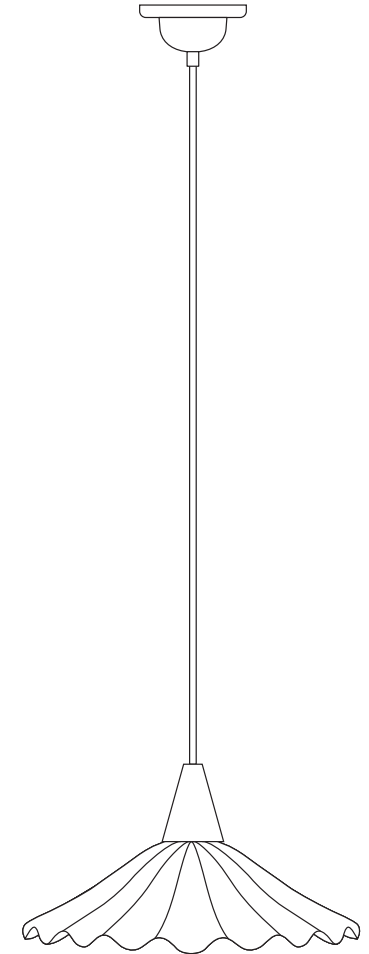
E179341

Christie Pendant Light

Instruction Manual



Christie
US-FP575N



Christie 36
US-FP577N




ORIGINAL BTC
BRITISH LIGHTING MANUFACTURERS
LONDON • NEW YORK • PARIS



Christie Pendant Light

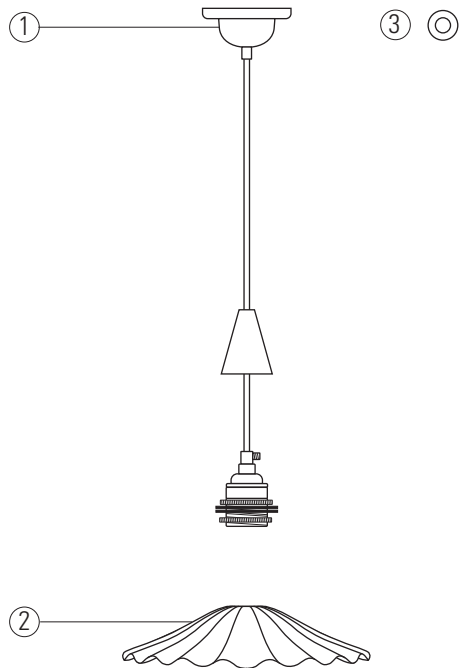
| 120V AC 60Hz | DRY |

US-FP575N Christie Pendant, Sand & Taupe Braided Cable
 US-FP577N Christie 36 Pendant, Sand & Taupe Braided Cable

LAMP GUIDANCE			
BASE	SHAPE	TYPE*	WATTAGE**
 E26	 A	 BALL	INCANDESCENT ✓
			CFL ✓
			ECO-HALOGEN ✓
			LED ✓
			100W MAX
			20W
			70W
			18W

* Warm white (2700k) low energy lamps recommended.
 ** Wattage value provided as a guide to suitable lamps. Lower wattage than stated may be used.

Contents

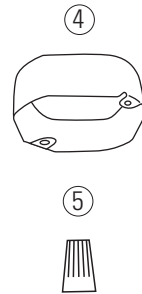


Contents

- 1 Ceiling rose & lampholder assembly
- 2 Shade
- 3 Washers (x2)

Tools/Hardware Required

- 4 - Junction box*
- 5 - Wire nuts (x2)*
- Screwdriver*
- * *Not Supplied*

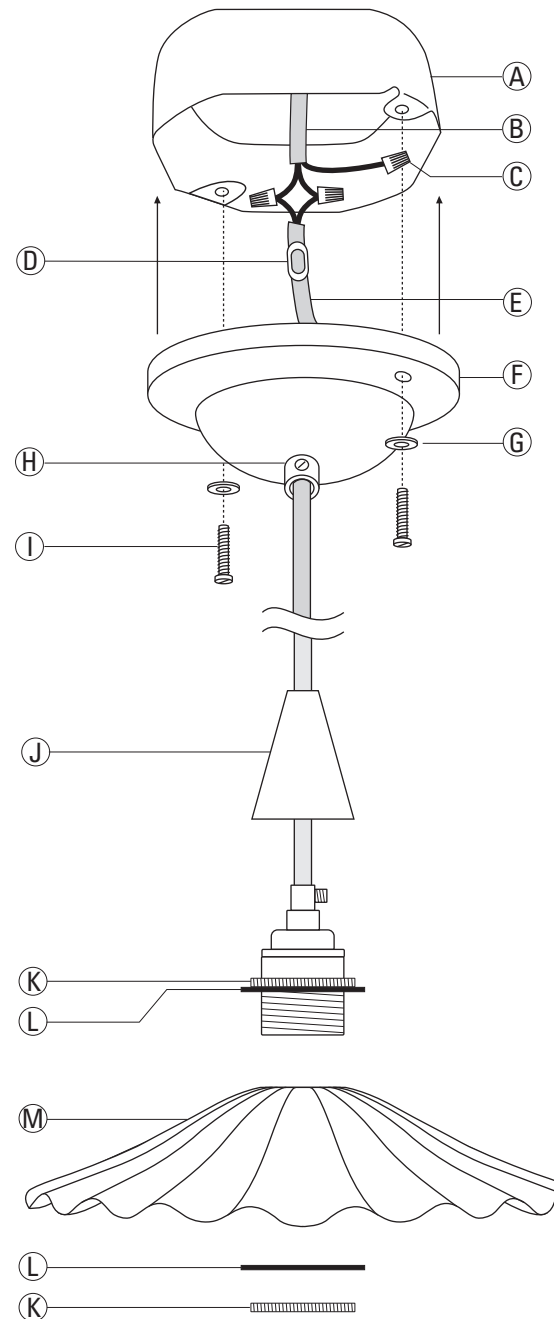


THIS PRODUCT IS MADE FROM FINE BONE CHINA. EXCESSIVE FORCE US DURING INSTALLATION OR OPERATION CAN CAUSE DAMAGES OR BREAKAGES.



PLEASE READ THE INSTRUCTIONS ON THE REVERSE BEFORE YOU BEGIN INSTALLING YOUR LIGHT

Installation Instructions



- Determine the required drop of the fitting and adjust luminaire cable (E) length as necessary; see point 2 overleaf. Ensure the cable passes through both holes of the 2-hole cord grip (D).

- Make the connections to the mains supply (B) using suitable wire nuts (C). See points 4 to 6 on the back page.

- The ceiling rose (F) can now be fitted to the junction box - offer it up to the junction box, then secure in place using the existing junction box screws (I). Take care to ensure the washers (G) are in place to avoid cracking the ceramic. **DO NOT USE POWER TOOLS; YOU WILL BREAK THE CEILING ROSE.** Tighten the grub screw on the cord grip (H); do not overtighten, as this can damage the cable.

- Lift the cone (J) to present the lampholder. The shade (M) is sandwiched above and below by a rubber gasket (L) and metal shade ring (K). The rubber gaskets should be between the ceramic shade and metal shade rings.

Key

- A Junction box*
- B Main supply
- C Wire nuts*
- D 2-Hole cord grip
- E Luminaire flex
- F Ceiling rose
- G Nylon washers
- H Grub screw cord grip
- I Junction box screws*
- J Cone
- K Shade rings
- L Rubber gaskets
- M Shade
- * *Not Supplied*