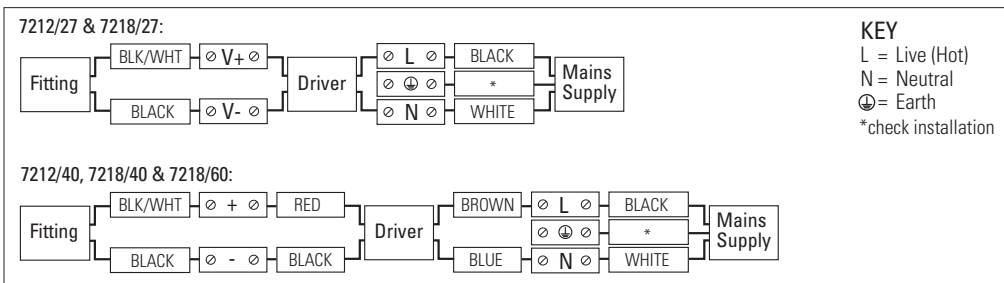


ENG WARNING – RISK OF FIRE AND ELECTRIC SHOCK. THIS PRODUCT IS BEST INSTALLED BY A QUALIFIED ELECTRICIAN. INSTALL IN ACCORDANCE WITH CURRENT NEC WIRING REGULATIONS. SUITABLE FOR DAMP LOCATIONS. TURN OFF POWER AT THE MAIN FUSE BEFORE COMMENCING INSTALLATION.

FR ATTENTION – RISQUE D'INCENDIE, RISQUE DE CHOC. CE PRODUIT DOIT ÊTRE INSTALLÉ SELON LE CODE D'INSTALLATION PERTINENT, PAR UNE PERSONNE QUI CONNAÎT BIEN LE PRODUIT ET SON FONCTIONNEMENT AINSI QUE LES RISQUES INHÉRENTS. CONVIENT AUX EMPLACEMENTS HUMIDES. COUPEZ LE FUSIBLE PRINCIPAL AVANT DE COMMENCER L'INSTALLATION.

- 1 If you are in any doubt consult a qualified electrician as to the installation of the fitting. Install in accordance with current NEC wiring regulations. It is recommended that this fitting is installed by a qualified electrician.
- 2 Ensure that the electrical supply is OFF. Disconnect the electrical supply at the fuse-board.
- 3 If removing an existing fitting first, note all wiring connections: record which of the house wires is connected to the live (hot), neutral and earth (ground) terminals.
- 4 Carefully identify where the supply cable is (and check there are no other cables in the area) to avoid damage to concealed wiring during installation.
- 5 Position the light where desired ensuring that there is access to a suitable junction box for the fixture. The fitting can be mounted to a single gang mud ring type electrical box (not supplied). Using your existing junction box, use a screwdriver to open the junction box. Keep the two existing screws.
- 6 Support the fitting so that no strain is applied to the wiring when making the electrical connections. If necessary get a colleague to help.
- 7 Electrical connection: The fitting must be connected to a the provided LED driver when installing on a mains voltage (120V) circuit. Make the connections through the provided driver. This is a class 3 (low voltage) fitting and does not require grounding. Terminate the ground wire from your supply inside the junction box. Make the connections as shown in the diagrams below:



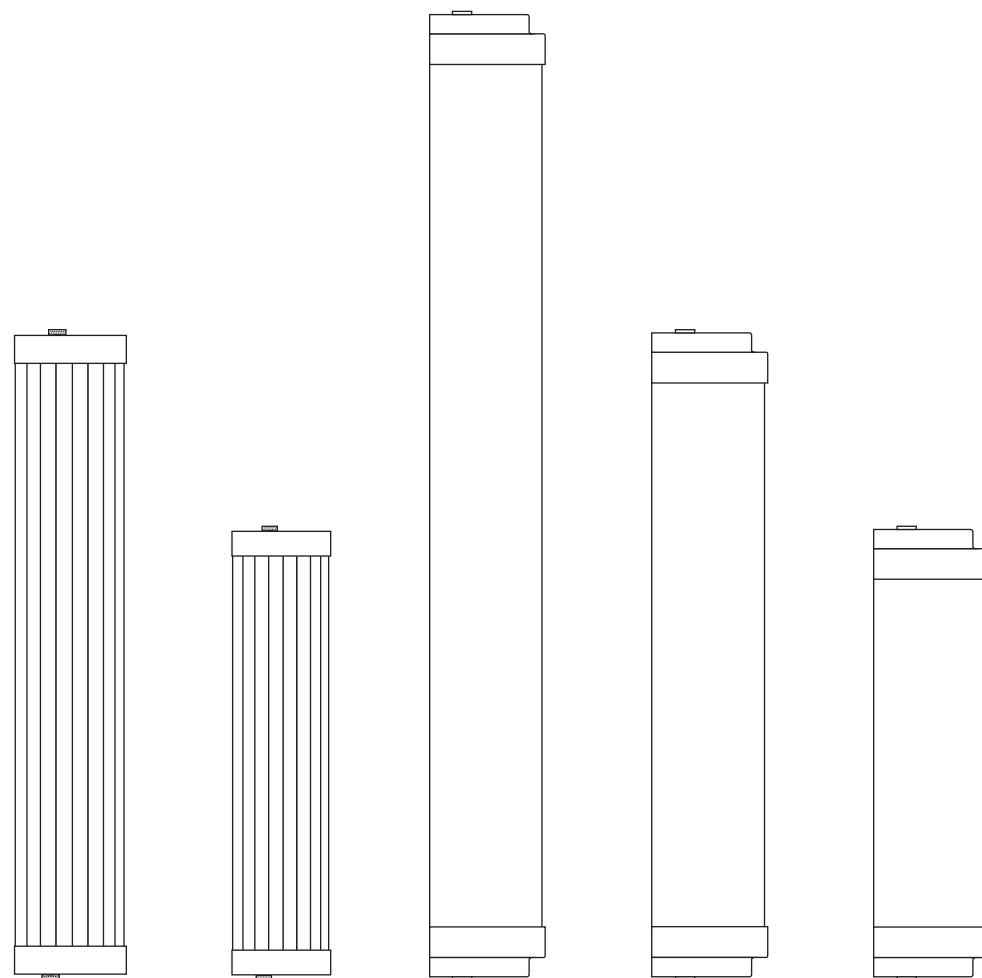
- 8 Check that no wires are trapped behind or within the fitting and complete the installation, referring to the installation diagram inside, mounting the fitting to your junction box and screwing the fitting to the wall, as required.
- 9 Switch on at the fuse-board. Your light fitting is now ready for use.

### Other Important Information

Switch off at mains before changing lamp(s). Never fit a lamp of greater wattage than recommended. Ensure children do not play with the light fitting. Dispose of old lamps carefully. Never leave a fitting without a lamp in position (or someone can accidentally touch the contacts). Adjust fitting only when power to the fitting is off and has been left to cool. If the electrical flex or electrical components become damaged at any point, power to the fitting should be disconnected immediately and not operated until the damaged parts are fixed/replaced.

Established in 1990, Original BTC manufactures relaxed, familiar lighting for traditional and contemporary homes. All products are hand-assembled in Oxford from high quality components, produced in the UK.

ORIGINALBTC.COM  
+44 (0)1993 882 251  
UNIT 21 / 22 AVENUE ONE, STATION LANE, WITNEY, OX28 4XZ, ENGLAND



7212/40

7212/27

7218/60

7218/40

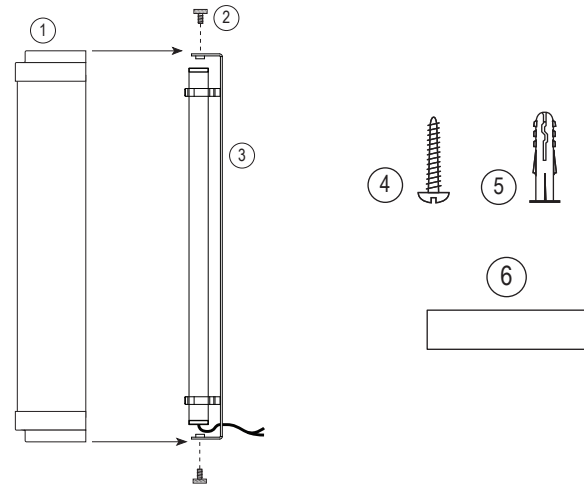
7218/27

# Pillar & Cabin LED Wall Light

| IP44 |

LAMP GUIDANCE		
MODEL	TYPE	WATTAGE
7212/40	LED	7.5W
7212/27	LED	2.5W
7218/60	LED	7W
7218/40	LED	7.5W
7218/27	LED	2.5W

Integral LED light source. DO NOT ATTEMPT TO REPLACE LAMP. In case of lamp failure contact original point of purchase.



## Contents

- 1 - Luminaire front
- 2 - 2 x Gallery screws
- 3 - Backplate/LED module
- 4 - 4 x fixing screws
- 5 - 4 x rawl plugs
- 6 - 12V dimmable LED driver

## Required for Installation

- Screwdriver
- Drill (if holes are required)

Gallery screws secure end caps of light to backplate. Remove for installation.

## Driver Information

These fittings MUST be connected to the provided driver when installing on a mains circuit. Details of the drivers are outlined below:

7212/27 & 7218/27 - 12V DC constant voltage driver.

7212/40 & 7218/40 - 250ma constant current driver.

7218/60 - 375ma constant current driver.

The drivers should be installed remotely in a suitable enclosure behind the fitting. The fittings are dimmable provided they are connected to a trailing edge dimming module.

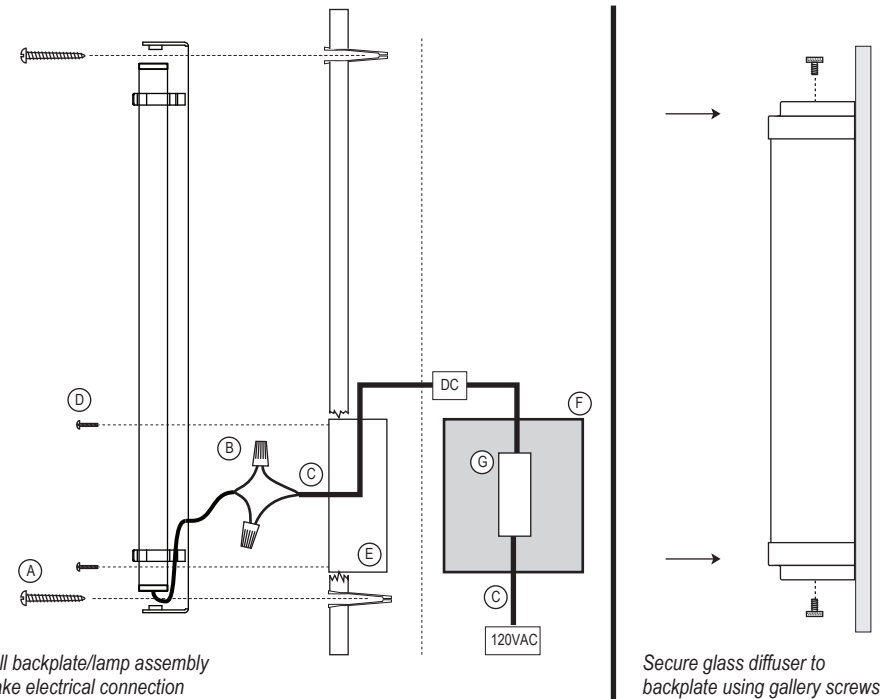
## Installation and Assembly Instructions

- Remove the glass section of the pillar light from the back plate by unscrewing the gallery screws.
- Follow the instructions overleaf to install the fitting. The fitting must be connected to a 12V LED driver. The driver can be installed up to 10m from the fitting- providing suitable wiring and enclosure are used for the installation requirements.
- Replace the glass section of the Pillar/Cabin light, using the gallery screws to secure it to the backplate.
- If the fitting is to be installed in an exterior or damp location we recommend sealing the backplate with a thin bead of silicone to prevent moisture ingress.

## Cleaning and Maintenance

Metal finishes should only be cleaned with a soft, dry cloth. Do not use polishes or abrasives. Glass can be cleaned with a soft damp cloth, or suitable glass cleaner. Switch off power to the fitting before cleaning.

## Installation Diagram



## KEY

- |                 |                        |                                       |               |
|-----------------|------------------------|---------------------------------------|---------------|
| A FIXING SCREWS | C MAIN SUPPLY          | E JUNCTION BOX*                       | G DRIVER      |
| B WIRE NUTS*    | D JUNCTION BOX SCREWS* | F REMOTE JUNCTION BOX/DRIVER HOUSING* | *Not supplied |

PLEASE READ THE INSTRUCTIONS ON THE REVERSE BEFORE YOU BEGIN INSTALLING YOUR LIGHT