

INSTALLATION INSTRUCTIONS

521-Indoor Wall Sconce

WS-52127/WS-52137

MODERN FORMS

CAUTION: To prevent electrical shock, ensure electricity has been turned off at the circuit breaker before beginning.

- Read all instructions before installing.
- System is intended for installation by a licensed electrician in accordance with the National Electrical Code (NEC) and local regulations.
- When handling the fixture, do not apply pressure to the LEDs. Hold the fixture by the base only.
- Retain installation instructions for future maintenance reference.

WARNING: All parts must be used as indicated in these instructions. This product is designed for use only with the supplied parts and/or accessories designated for use by Modern Forms. Substitution of parts or accessories not designated for use with this product by Modern Forms could result in personal injury or property damage, and will void the warranty. Contact an authorized dealer or the manufacturer if any parts are damaged or missing.

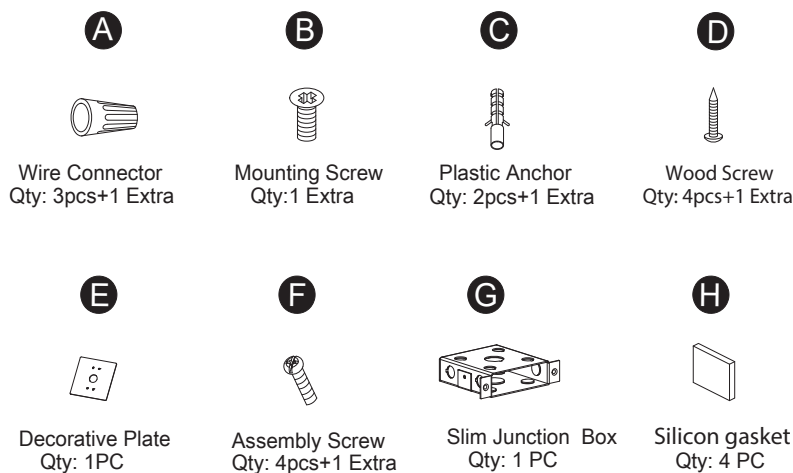
MAINTENANCE NOTE: Coastal conditions may cause mineral and residue build-up on the fixture. We recommend that customers in coastal areas clean all external surfaces of the fixture once every two weeks with a wet cloth.

MISE EN GARDE: Pour éviter tout choc électrique, assurez-vous que le disjoncteur soit mis hors tension avant de commencer.

- Lisez toutes les instructions avant l'installation.
- Le système doit être installé par un électricien licencié conformément au code national de l'électricité (NEC), et également aux règlements locaux.
- Lors de la manipulation du luminaire, n'appuyez pas sur les LED. Tenez-le uniquement par la base.

ATTENTION: Toutes les pièces doivent être utilisées comme indiqué dans ces instructions. Ce produit est conçu pour être utilisé seulement avec les pièces et/ou accessoires fournis pour être utilisés avec les produits Modern Forms. Remplacer des pièces ou accessoires non conçus pour ce produit Modern Forms pourrait causer des dommages corporels ou matériels et pourrait également causer l'annulation de la garantie. Veuillez contacter un revendeur autorisé ou le fabricant si des pièces manquent ou sont endommagées.

HARDWARE



modernforms.com
Phone (800) 526.2588
Fax (800) 526.2585

Headquarters/Eastern Distribution Center
44 Harbor Park Drive
Port Washington, NY 11050

Central Distribution Center
1600 Distribution Ct
Lithia Springs, GA 30122

Western Distribution Center
1750 Archibald Avenue
Ontario, CA 91760



INSTALLATION INSTRUCTIONS

521-Indoor Wall Sconce

WS-52127/WS-52137

MODERN FORMS

FIG. 1

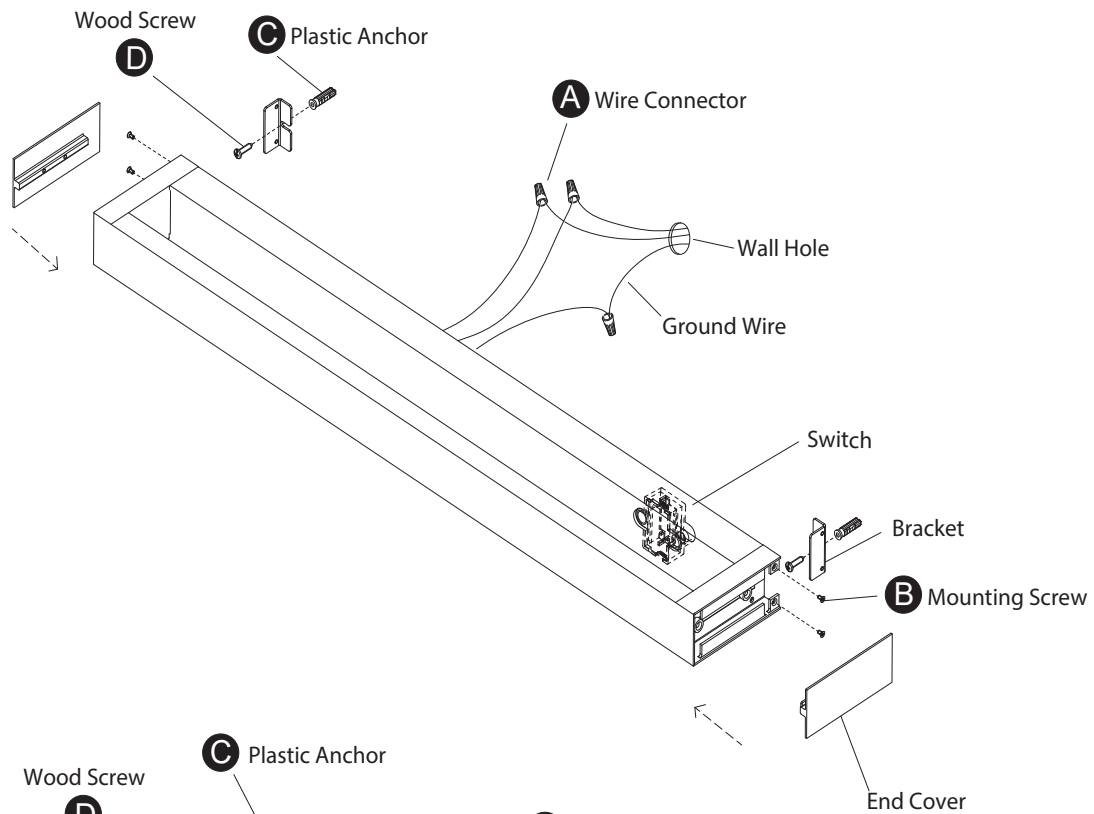
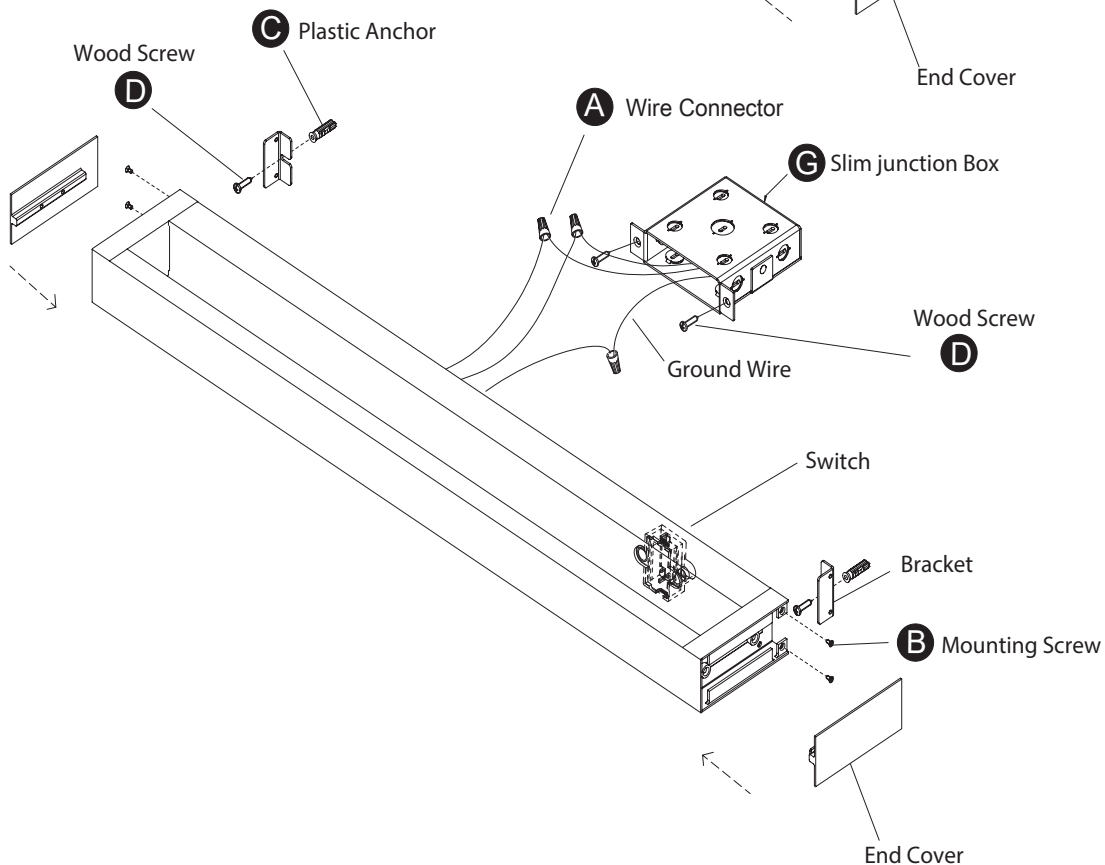


FIG. 2



modernforms.com
Phone (800) 526.2588
Fax (800) 526.2585

Headquarters/Eastern Distribution Center
44 Harbor Park Drive
Port Washington, NY 11050

Central Distribution Center
1600 Distribution Ct
Lithia Springs, GA 30122

Western Distribution Center
1750 Archibald Avenue
Ontario, CA 91760



INSTALLATION INSTRUCTIONS

521-Indoor Wall Sconce

WS-52127/WS-52137

MODERN FORMS

PREPARATION

1. Shut off the power at the circuit breaker and remove existing fixture, including the crossbar.
2. Carefully unpack your new fixture and lay out all the parts on a clear area. Be careful not to lose any small parts necessary for installation.

INSTALLATION

MOUNT WITHOUT JUNCTION BOX (Fig. 1)

3. Drill a small access hole in the wall behind the fixture and pull the house wire through the wall.
4. Using Fig.6 (installation location) as a reference, drill a hole to the left and right of the access hole and insert the plastic anchor (C). Remove the end cover from the fixture, loosen the mounting screw (B), and remove the bracket. Affix the bracket to the wall with the wood screw (D).
5. The fixture can switch between three color temperatures (2700K/3000K/3500K) which can be adjusted to your preference with the switch in the canopy (Fig.5)
6. Connect the fixture's wires to house wires as shown in Fig.4, making sure that all wire connectors (A) are secured. If your outlet box has a green or bare copper ground wire, connect the fixture's ground wire to it. Otherwise, tuck the fixture's ground wire directly to the fixture. After wires are connected, tuck them carefully inside access hole of the wall.
7. Secure the fixture to the bracket with mounting screws (B) attach the end cover to the fixture.

MOUNT ON THE SLIM JUNCTION BOX (Fig. 2)

3. Replace or install the slim junction (G) as foundation to enclose all the wiring per code. Use the two wood screws (D) provided to secure the slim junction box (G) on wall properly. Note: the junction box must be recessed about 1/8" into the surface of your wall.
4. Follow step 4 to 7 listed above (under MOUNT WITHOUT JUNCTION BOX)

MOUNT ON THE JUNCTION BOX (Fig.3)

3. Secure the decorative Plate (E) to the fixture using assembly screw (F) as show in Fig.3, and then fix the existing silicon gasket (H).
4. Using Fig.6 (installation location) as a reference, drill a hole to the left and right of the junction box and insert the plastic anchor (C).
5. Remove the end cover from the fixture, loosen the mounting screw (B), and remove the bracket. Affix the bracket to the wall with the wood screw (D).
6. The fixture can switch between three color temperatures (2700K/3000K/3500K) which can be adjusted to your preference with the switch in the canopy (Fig.5)
7. Connect the fixture's wires to house wires as shown in Fig.4 and ensure all wire connectors (A) are secured. If your outlet has a green or bare copper ground wire, connect the fixture's ground wire to it. Otherwise tuck the fixture's ground wire directly in the fixture. After wires are connected, tuck them carefully inside the junction box.
8. Align the decorative plate (E) so that adequately covers the junction box.
9. Secure the fixture to the bracket with mounting screws (B) and attach the end cover to the fixture.

FIG. 3

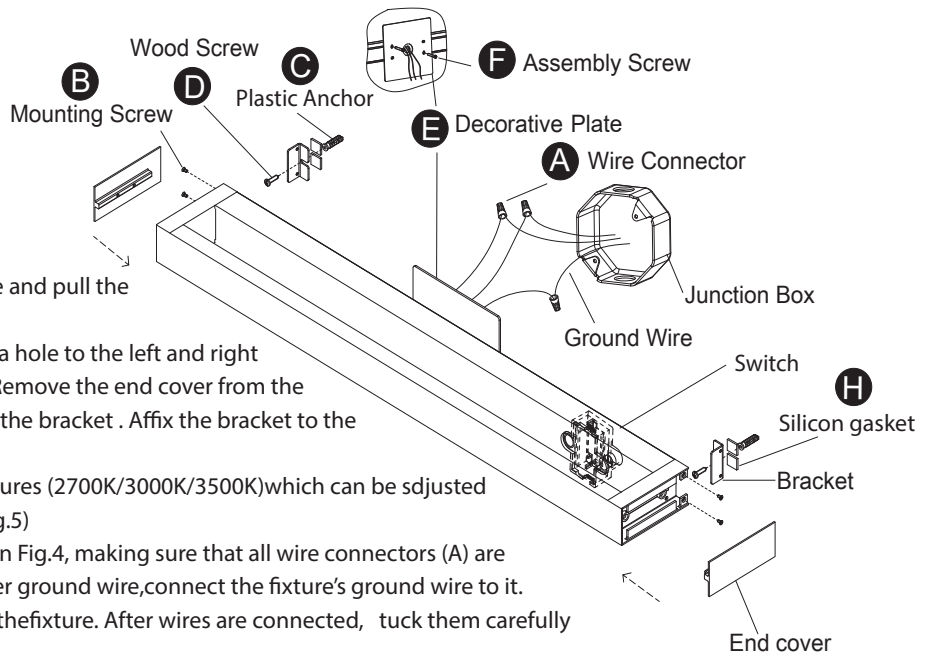


Fig. 4 Wiring


	Fixture Wires Black or Smooth	House Wires Black (Hot)
	Fixture Wires White or Ribbed	House Wires White (Neutral)
	Fixture Wires Bare wire (Ground)	House Wires Green or Bare Copper (Ground)

Fig. 5

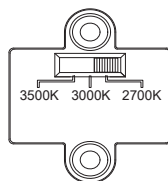
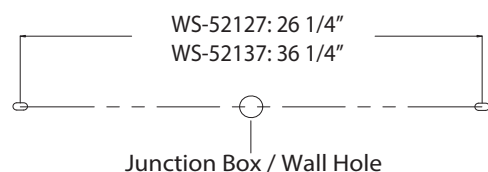


Fig. 6

Installation Location



modernforms.com
Phone (800) 526.2588
Fax (800) 526.2585

Headquarters/Eastern Distribution Center
44 Harbor Park Drive
Port Washington, NY 11050

Central Distribution Center
1600 Distribution Ct
Lithia Springs, GA 30122

Western Distribution Center
1750 Archibald Avenue
Ontario, CA 91760

