

# INSTALLATION INSTRUCTION

## Omni - Exterior

WS-W35512



MODERN FORMS  
A WAC LIGHTING COMPANY

### WARNING

IMPORTANT: NEVER attempt any work without shutting off the electricity.

- Read all instructions before installing.
- System is intended for installation by a qualified electrician in accordance with the National Electrical Code and local regulations.
- Go to the main fuse box, or circuit breaker. Place the main power switch in the "OFF" position and unscrew the fuse(s) or switch "OFF" the circuit breaker switch(es) that control the power to the fixture or room that you are working on.
- Place the wall switch in the "OFF" position.

### CAUTION

- All parts must be used as indicated in these instructions. Do not substitute any parts, leave parts out, or use any parts that are worn out or broken. Failure to follow this instruction could invalidate the ETL/CETL listing of this fixture.  
CAUTION When handling the fixture, do not apply pressure to the LEDs. Hold the fixture by the base only.

### AVERTISSEMENT

IMPORTANT : Coupez l'électricité avant TOUTE manipulation.

- Lisez toutes les instructions avant d'installer.
- Système est destiné à être installé par un électricien qualifié en conformité avec le code national de l'électricité et les règlements locaux.
- Accédez au panneau central de disjoncteurs ou de fusibles de votre demeure et placez l'interrupteur principal en position d'arrêt (« OFF »).
- Placez l'interrupteur mural en position d'arrêt (« OFF »).

### MISE EN GARDE

- Toutes les pièces doivent être utilisées tel qu'il est indiqué dans ces instructions. Ne remplacez pas les pièces, n'en laissez pas de côté et ne les utilisez pas si elles sont usées ou brisées. Le non-respect de ces instructions peut annuler l'homologation ETL/CETL du luminaire. MISE EN GARDE Ors de la manipulation de l'appareil, ne pas appliquer de pression à la LED, tenir l'appareil par la seule base.

### ADVERTENCIA









IMPORTANTE: NUNCA intente hacer trabajos sin desconectar el suministro eléctrico.

- Lea y comprenda todas las instrucciones e ilustraciones por completo antes de proceder con el ensamblaje e instalación de esta lámpara.
- Sistema está diseñado para ser instalado por un electricista calificado, de acuerdo con el código eléctrico nacional y las normas locales.
- Diríjase a la caja de fusibles o a la caja del interruptor de circuito principal en su hogar. Coloque el interruptor de alimentación principal en la posición "OFF" (APAGADO).
- Coloque el interruptor de la pared en la posición "OFF" (APAGADO).

### PRECAUCIÓN

- Todas las piezas deben usarse como lo indican estas instrucciones. No reemplace las piezas, no omita piezas durante la instalación ni utilice piezas gastadas o rotas. El incumplimiento de esta indicación podría invalidar la calificación ETL/CETL esta lámpara. PRECAUCIÓN Al manipular el aparato, no aplique presión a los LED, mantenga el aparato en la base sólo.

### HARDWARE

							
Gasket Qty: 1 extra	Mounting Screw Qty: 1 extra	Washer Qty: 4 pcs	Fixture Screw Qty: 4 pcs	Wood Screw Qty: 2 pcs	Junction Box Screw Qty: 2 pcs + 1 extra	Wire Connector Qty: 3 pcs	Anchor Qty: 2 pcs

### Modern Forms

www.modernforms.com  
Phone (800) 526.2588 • Fax (800) 526.2585

### Headquarters/Eastern Distribution Center

44 Harbor Park Drive • Port Washington, NY 11050  
Phone (516) 515.5000 • Fax (516) 515.5050

### Western Distribution Center

1750 Archibald Ave • Ontario, CA 91761  
Phone (800) 526.2588 • Fax (800) 526.2585



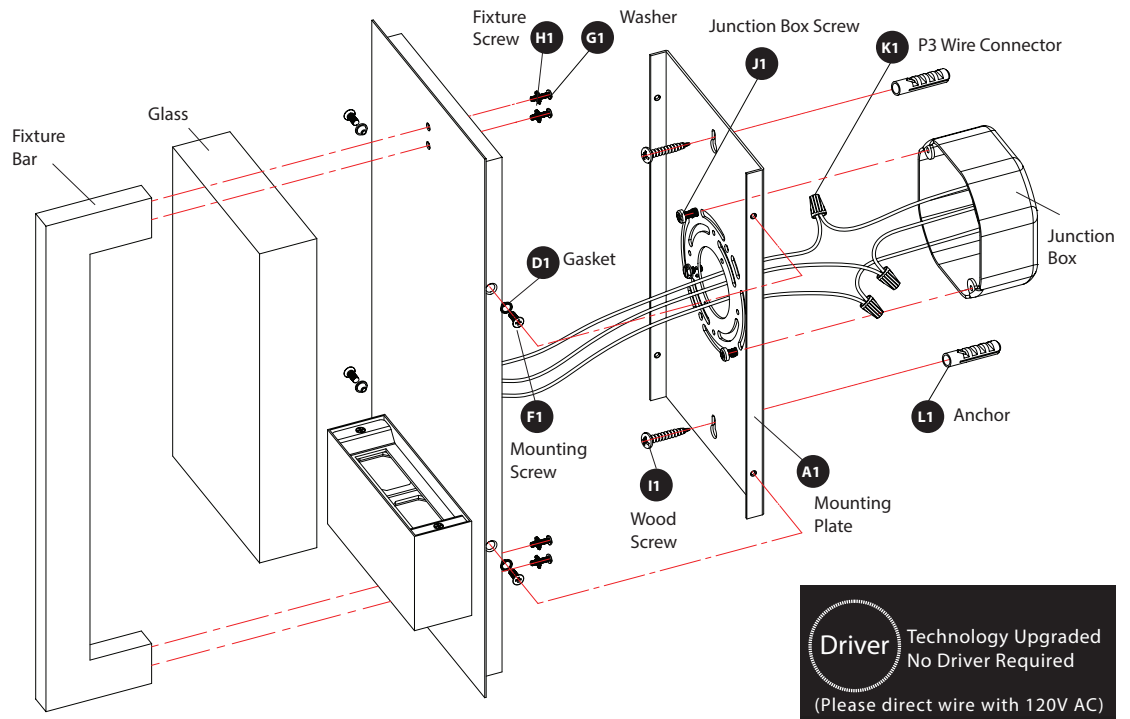
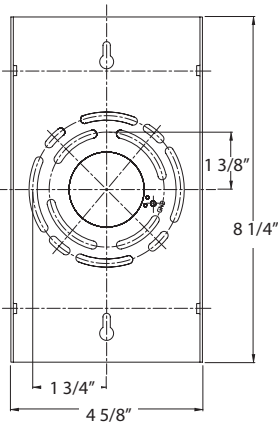
# INSTALLATION INSTRUCTION

## Omni - Exterior WS-W35512



Fig.1

### Back Plate Dimensions



**Driver** Technology Upgraded  
No Driver Required  
(Please direct wire with 120V AC)

### PREPARATION

- Shut off the power at the circuit breaker and remove existing fixture, including the mounting hardware.
- Carefully unpack your new fixture and lay out all the parts on a clear area. Be careful not to lose any small parts necessary for installation.

### MOUNTING THE FIXTURE (FIG. 1)

1. Drill holes in the wall aligned with the key-hole location in the mounting plate (A1) insert plastic anchors (L1) into wall holes.
2. Insert wood screws (I1) into anchors leaving enough length to hang mounting plate (A1).
3. Secure the mounting plate (A1) to the junction box using junction box screws (J1). The side of the mounting plate marked "GND" must be face out.

### CONNECTING THE WIRES (FIG. 2)

4. Connect the fixture wires with the supply wires as shown in **Fig. 2**. Make sure that all wire connectors (K1) are secured. If your outlet box has a ground wire (green or bare copper), connect the fixture's ground wire to it. Otherwise, connect the fixture's ground wire directly to the mounting plate (A1) using the green screw provided. After wires are connected, tuck them carefully inside the junction box.
5. Put the glass to the fixture and tighten the fixture bar with screws (H1) and washers (G1).  
**Note:** Caulk the fixture screw (H1) using silicone for wet location
6. Place the fixture together with the glass to the mounting plate (A1) and secure with mounting screws (F1) and gaskets (D1).

### COMPLETING THE INSTALLATION (FIG. 3)

7. To prevent moisture from entering the outlet box and causing a short, use clear caulking (i.e. indoor/outdoor silicone sealant) to outline the outside of fixture back plate where it meets the wall. Leave a space at the bottom to allow moisture to escape. (**Fig.3**)

Fig.2 Wiring

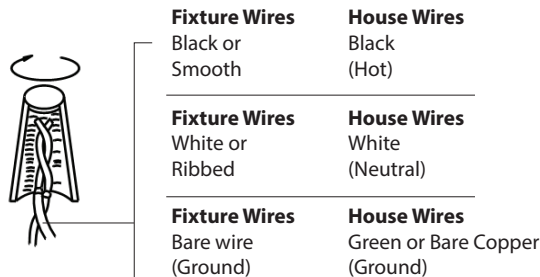
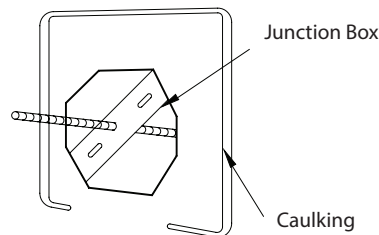


Fig.3 Sealing



# INSTALLATION INSTRUCTION

## Omni - Exterior

WS-W35516



MODERN FORMS  
A WAC LIGHTING COMPANY

### WARNING

IMPORTANT: NEVER attempt any work without shutting off the electricity.

- Read all instructions before installing.
- System is intended for installation by a qualified electrician in accordance with the National Electrical Code and local regulations.
- Go to the main fuse box, or circuit breaker. Place the main power switch in the "OFF" position and unscrew the fuse(s) or switch "OFF" the circuit breaker switch(es) that control the power to the fixture or room that you are working on.
- Place the wall switch in the "OFF" position.

### CAUTION

- All parts must be used as indicated in these instructions. Do not substitute any parts, leave parts out, or use any parts that are worn out or broken. Failure to follow this instruction could invalidate the ETL/CETL listing of this fixture.  
CAUTION When handling the fixture, do not apply pressure to the LEDs. Hold the fixture by the base only.

### AVERTISSEMENT

IMPORTANT : Coupez l'électricité avant TOUTE manipulation.

- Lisez toutes les instructions avant d'installer.
- Système est destiné à être installé par un électricien qualifié en conformité avec le code national de l'électricité et les règlements locaux.
- Accédez au panneau central de disjoncteurs ou de fusibles de votre demeure et placez l'interrupteur principal en position d'arrêt (« OFF »).
- Placez l'interrupteur mural en position d'arrêt (« OFF »).

### MISE EN GARDE

- Toutes les pièces doivent être utilisées tel qu'il est indiqué dans ces instructions. Ne remplacez pas les pièces, n'en laissez pas de côté et ne les utilisez pas si elles sont usées ou brisées. Le non-respect de ces instructions peut annuler l'homologation ETL/CETL du luminaire. MISE EN GARDE Ors de la manipulation de l'appareil, ne pas appliquer de pression à la LED, tenir l'appareil par la seule base.

### ADVERTENCIA

IMPORTANTE: NUNCA intente hacer trabajos sin desconectar el suministro eléctrico.

- Lea y comprenda todas las instrucciones e ilustraciones por completo antes de proceder con el ensamblaje e instalación de esta lámpara.
- Sistema está diseñado para ser instalado por un electricista calificado, de acuerdo con el código eléctrico nacional y las normas locales.
- Diríjase a la caja de fusibles o a la caja del interruptor de circuito principal en su hogar. Coloque el interruptor de alimentación principal en la posición "OFF" (APAGADO).
- Coloque el interruptor de la pared en la posición "OFF" (APAGADO).

### PRECAUCIÓN

- Todas las piezas deben usarse como lo indican estas instrucciones. No reemplace las piezas, no omita piezas durante la instalación ni utilice piezas gastadas o rotas. El incumplimiento de esta indicación podría invalidar la calificación ETL/CETL esta lámpara. PRECAUCIÓN Al manipular el aparato, no aplique presión a los LED, mantenga el aparato en la base sólo.

### HARDWARE

D1



Gasket  
Qty: 1 Extra

F1



Mounting Screw  
Qty: 1 extra

H1



Fixture Screw  
Qty: 4 pcs

I1



Wood Screw  
Qty: 2 pcs

J1



Junction Box Screw  
Qty: 2pcs + 1 extra

K1



Wire  
Connector  
Qty: 3 pcs

L1



Anchor  
Qty: 2 pcs

N1



Safety Cable  
Qty: 1pc

### Modern Forms

www.modernforms.com  
Phone (800) 526.2588 • Fax (800) 526.2585

### Headquarters/Eastern Distribution Center

44 Harbor Park Drive • Port Washington, NY 11050  
Phone (516) 515.5000 • Fax (516) 515.5050

### Western Distribution Center

1750 Archibald Ave • Ontario, CA 91761  
Phone (800) 526.2588 • Fax (800) 526.2585



# INSTALLATION INSTRUCTION

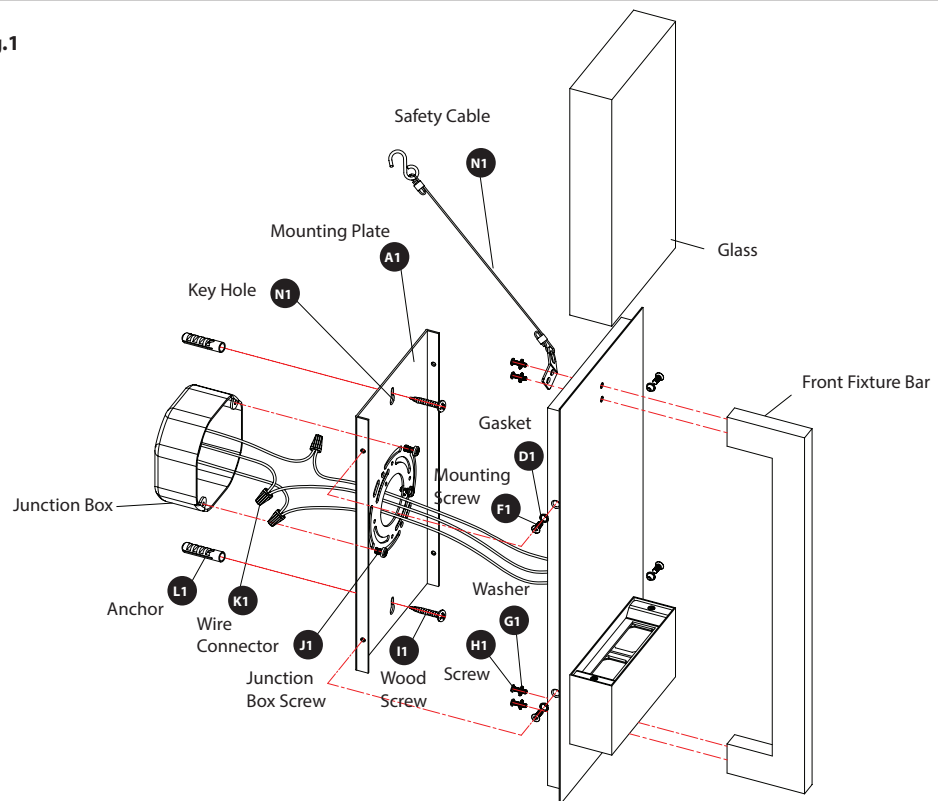
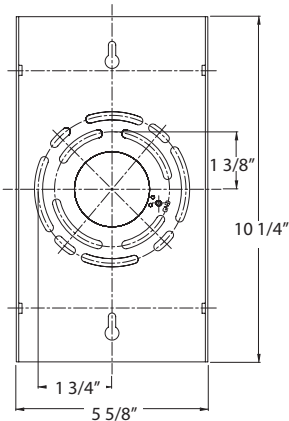
## Omni - Exterior WS-W35516



MODERN FORMS  
A WAC LIGHTING COMPANY

Fig.1

### Back Plate Dimensions



### PREPARATION

- Shut off the power at the circuit breaker and remove existing fixture, including the mounting hardware.
- Carefully unpack your new fixture and lay out all the parts on a clear area. Be careful not to lose any small parts necessary for installation.

### MOUNTING THE FIXTURE (FIG. 1)

1. Drill the holes in the proper position on the wall according to the key holes located. Insert plastic anchors (L1) into the wall.
2. Secure the mounting plate (A1) to the junction box using junction box screws (J1). Fasten mounting plate (A1) to the wall using the wood screws (I1). The side of the mounting plate marked "GND" must be face out.
3. Put the glass sitting on the fixture. Secure the front fixture bar onto the fixture using screws (H1) and washer (G1). Make sure the safety cable (N1) screwed on right location. **Note:** Caulk the fixture screw (H1) using silicone for wet location
4. Hang the hook of safety cable (N1) onto the mounting plate (A1). This will allow for fixture to be supported while wire connection is made.

### CONNECTING THE WIRES (FIG. 2)

5. Connect the fixture wires with the supply wires as shown in **Fig. 2**. Make sure that all wire connectors (K1) are secured. If your outlet box has a ground wire (green or bare copper), connect the fixture's ground wire to it. Otherwise, connect the fixture's ground wire directly to the mounting plate (A1) using the green screw provided. After wires are connected, tuck them carefully inside the junction box.
6. Place the fixture over the mounting plate (A1) and secure with the mounting screws (F1) and the gasket (D1).

### COMPLETING THE INSTALLATION (FIG. 3)

7. To prevent moisture from entering the outlet box and causing a short, use clear caulking (i.e. indoor/outdoor silicone sealant) to outline the outside of fixture back plate where it meets the wall and the fixture screw (H1) using silicone. Leave a space at the bottom to allow moisture to escape. (**Fig.3**)

Fig.2 Wiring

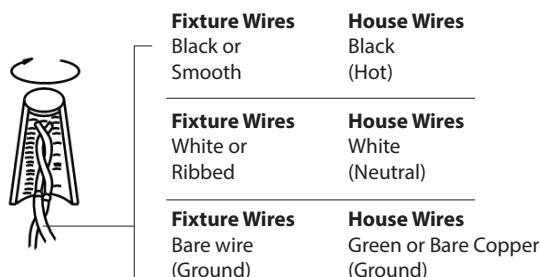
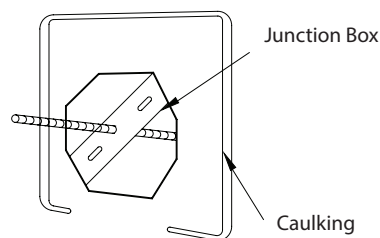


Fig.3 Sealing



Modern Forms  
www.modernforms.com  
Phone (800) 526.2588 • Fax (800) 526.2585

Headquarters/Eastern Distribution Center  
44 Harbor Park Drive • Port Washington, NY 11050  
Phone (516) 515.5000 • Fax (516) 515.5050

Western Distribution Center  
1750 Archibald Ave • Ontario, CA 91761  
Phone (800) 526.2588 • Fax (800) 526.2585



# INSTALLATION INSTRUCTION

## Omni - Exterior

WS-W35520



MODERN FORMS  
A WAC LIGHTING COMPANY

### WARNING

IMPORTANT: NEVER attempt any work without shutting off the electricity.

- Read all instructions before installing.
- System is intended for installation by a qualified electrician in accordance with the National Electrical Code and local regulations.
- Go to the main fuse box, or circuit breaker. Place the main power switch in the "OFF" position and unscrew the fuse(s) or switch "OFF" the circuit breaker switch(es) that control the power to the fixture or room that you are working on.
- Place the wall switch in the "OFF" position.

### CAUTION

- All parts must be used as indicated in these instructions. Do not substitute any parts, leave parts out, or use any parts that are worn out or broken. Failure to follow this instruction could invalidate the ETL/CETL listing of this fixture.  
CAUTION When handling the fixture, do not apply pressure to the LEDs. Hold the fixture by the base only.

### AVERTISSEMENT

IMPORTANT : Coupez l'électricité avant TOUTE manipulation.

- Lisez toutes les instructions avant d'installer.
- Système est destiné à être installé par un électricien qualifié en conformité avec le code national de l'électricité et les règlements locaux.
- Accédez au panneau central de disjoncteurs ou de fusibles de votre demeure et placez l'interrupteur principal en position d'arrêt (« OFF »).
- Placez l'interrupteur mural en position d'arrêt (« OFF »).

### MISE EN GARDE

- Toutes les pièces doivent être utilisées tel qu'il est indiqué dans ces instructions. Ne remplacez pas les pièces, n'en laissez pas de côté et ne les utilisez pas si elles sont usées ou brisées. Le non-respect de ces instructions peut annuler l'homologation ETL/CETL du luminaire. MISE EN GARDE Ors de la manipulation de l'appareil, ne pas appliquer de pression à la LED, tenir l'appareil par la seule base.

### ADVERTENCIA

IMPORTANTE: NUNCA intente hacer trabajos sin desconectar el suministro eléctrico.

- Lea y comprenda todas las instrucciones e ilustraciones por completo antes de proceder con el ensamblaje e instalación de esta lámpara.
- Sistema está diseñado para ser instalado por un electricista calificado, de acuerdo con el código eléctrico nacional y las normas locales.
- Diríjase a la caja de fusibles o a la caja del interruptor de circuito principal en su hogar. Coloque el interruptor de alimentación principal en la posición "OFF" (APAGADO).
- Coloque el interruptor de la pared en la posición "OFF" (APAGADO).

### PRECAUCIÓN

- Todas las piezas deben usarse como lo indican estas instrucciones. No reemplace las piezas, no omita piezas durante la instalación ni utilice piezas gastadas o rotas. El incumplimiento de esta indicación podría invalidar la calificación ETL/CETL esta lámpara. PRECAUCIÓN Al manipular el aparato, no aplique presión a los LED, mantenga el aparato en la base sólo.

### HARDWARE

D1



Gasket  
Qty: 1 Extra

F1



Mounting Screw  
Qty: 1 extra

H1



Fixture Screw  
Qty: 4 pcs

I1



Wood Screw  
Qty: 2 pcs

J1



Junction Box Screw  
Qty: 2pcs + 1 extra

K1



Wire  
Connector  
Qty: 3 pcs

L1



Anchor  
Qty: 2 pcs

N1



Safety Cable  
Qty: 1pc

### Modern Forms

www.modernforms.com  
Phone (800) 526.2588 • Fax (800) 526.2585

### Headquarters/Eastern Distribution Center

44 Harbor Park Drive • Port Washington, NY 11050  
Phone (516) 515.5000 • Fax (516) 515.5050

### Western Distribution Center

1750 Archibald Ave • Ontario, CA 91761  
Phone (800) 526.2588 • Fax (800) 526.2585



# INSTALLATION INSTRUCTION

## Omni - Exterior WS-W35520



MODERN FORMS  
A WAC LIGHTING COMPANY

### Back Plate Dimensions

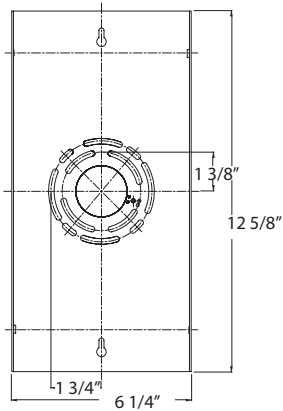
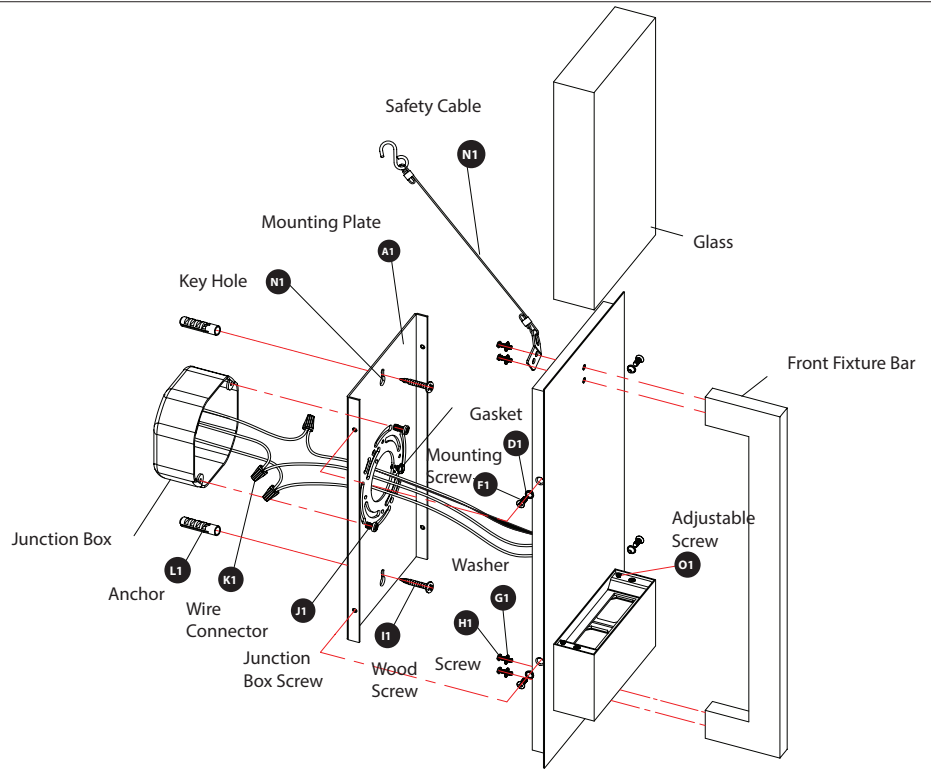


Fig.1



### PREPARATION

- Shut off the power at the circuit breaker and remove existing fixture, including the mounting hardware.
- Carefully unpack your new fixture and lay out all the parts on a clear area. Be careful not to lose any small parts necessary for installation.

### MOUNTING THE FIXTURE (FIG. 1)

1. Drill the holes in the proper position on the wall according to the key holes located. Insert plastic anchors (L1) into the wall.
2. Secure the mounting plate (A1) to the junction box using junction box screws (J1). Fasten mounting plate (A1) to the wall using the wood screws (I1). The side of the mounting plate marked "GND" must be face out.
3. Put the glass sitting on the fixture. Secure the front fixture bar onto the fixture using screws (H1) and washer (G1). If the glass is deflection when sitting on the fixture, you could regulate the glass by adjusting the height of the adjustable screws (O1). Make sure the safety cable (N1) screwed on right location. **Note:** Caulk the fixture screw (h1) using silicone for wet location.
4. Hang the hook of safety cable (N1) onto the mounting plate (A1). This will allow for fixture to be supported while wire connection is made.

### CONNECTING THE WIRES (FIG. 2)

5. Connect the fixture wires with the supply wires as shown in **Fig. 2**. Make sure that all wire connectors (K1) are secured. If your outlet box has a ground wire (green or bare copper), connect the fixture's ground wire to it. Otherwise, connect the fixture's ground wire directly to the mounting plate (A1) using the green screw provided. After wires are connected, tuck them carefully inside the junction box.
6. Place the fixture over the mounting plate (A1) and secure with the mounting screws (F1) and the gasket (D1).

### COMPLETING THE INSTALLATION (FIG. 3)

7. To prevent moisture from entering the outlet box and causing a short, use clear caulking (i.e. indoor/outdoor silicone sealant) to outline the outside of fixture back plate where it meets the wall and the fixture screw (H1) using silicone. Leave a space at the bottom to allow moisture to escape. (**Fig.3**)

Fig.2 Wiring

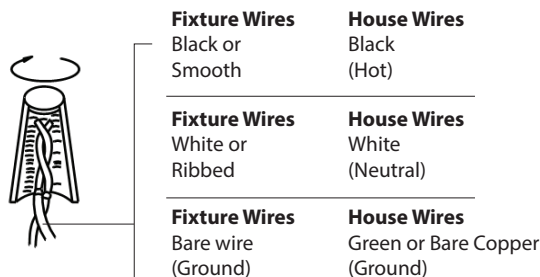
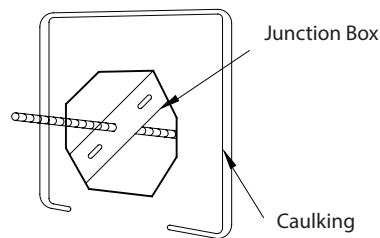


Fig.3 Sealing



Modern Forms  
www.modernforms.com  
Phone (800) 526.2588 • Fax (800) 526.2585

Headquarters/Eastern Distribution Center  
44 Harbor Park Drive • Port Washington, NY 11050  
Phone (516) 515.5000 • Fax (516) 515.5050

Western Distribution Center  
1750 Archibald Ave • Ontario, CA 91761  
Phone (800) 526.2588 • Fax (800) 526.2585

