

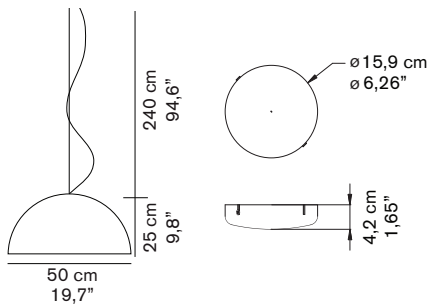


## SONORA 411

Vico Magistretti  
1976

Suspension lamp giving direct and diffused light, opaline blown Murano glass diffuser.

### DIMENSIONS



### MATERIALS


metal/blown glass

### COLORS

opaline opaque

### BULBS

2 x max 100 W - E26

 equipped without bulb


*Note:* lamp compatible with LED bulbs (according to the market availability and without changes to the standard product)

### MARKS



### FURTHER INFORMATION

 white rose

 transparent cable

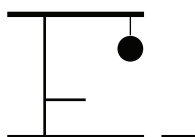
### PACKAGING



dimensions 63x63x35 cm / 24,8"x24,8"x13,8"  
volume 0,139 m<sup>3</sup> / 4,90 ft<sup>3</sup>  
weight 8 kg / 17,63 lb

### TYPE

indoor - suspension lamp



### PHOTOMETRIC CURVE