

Ola™
Assembly Instructions
instructions d'installation

SONNEMAN®
A WAY OF LIGHT

Ola™
Assembly Instructions

INSTRUCTIONS D'INSTALLATION

Ola - Modular Lighting System

Table of Contents

LED Product Information and Warnings	3
Connector Types	4
Suspension Locations	5
Power Feed Assembly	6
Cable Suspension Assembly	10
Luminaire Assembly	11
Coax Splicing	12

Ola™ - LED Product Information and Warnings

Assembly Instructions

INSTRUCTIONS D'INSTALLATION

Ola - Modular Lighting System

Important

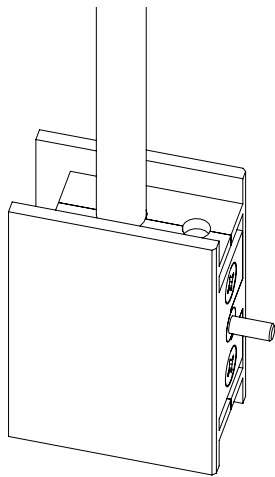
- **Always disconnect the power before installing or replacing parts and before cleaning or other maintenance.**
- **Consult a qualified, licensed electrician to ensure correct branch circuit conductor.**
Consulter un électricien qualifié pour vous assurer que les conducteurs de la dérivation sont adéquats.
- Please read all included assembly instructions and warnings carefully before installation. Contact Customer Service if you have any questions or concerns. Before installation, please confirm that the fixture is compatible with your supply voltage and dimming system, if present.
- LEDs are highly sensitive electronic devices, and must be treated with care. Do not open any factory sealed compartments, and avoid touching the LEDs with your hands or any object.
- Although all our fixtures are equipped with protective devices, LED fixtures are vulnerable to power surges and supply variations. Do not install LED fixtures on the same circuit as any motors, appliances, or HVAC systems.
- Do not remove or bypass any LED Driver or Transformer that is provided with the fixture, and do not replace or substitute with another power supply.
- Remote LED Driver or Transformer installation must be done by a licensed electrician and in accordance with local codes. Remote installations should be in an accessible location, as close to the fixture as possible.
- Fixtures must be wired in parallel on independent leads; do not "daisy chain" multiple fixtures together or wire them in series.
- All factory-made splices and connections must remain intact. LED circuits are carefully designed and built, and improper connections may damage the fixture.
- The ends of coaxial power cords have been precisely stripped and split at the factory. Any field-cutting must be done according to the included instructions. Excess cord or cable should be neatly coiled and reserved in the fixture canopy.
- Any mounting hardware is provided for your convenience and should be used with discretion. Always use the appropriate hardware for the mounting surface.

Ola™ - Connector Types

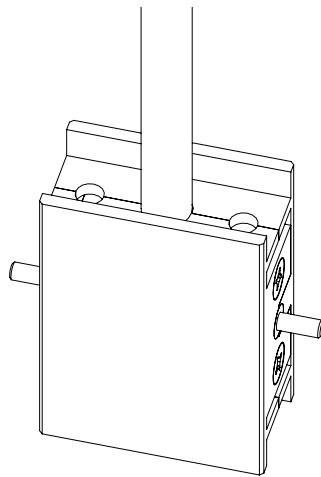
Assembly Instructions

INSTRUCTIONS D'INSTALLATION

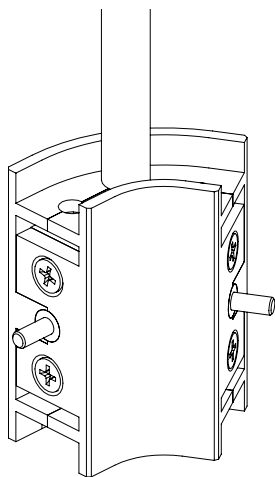
Ola - Modular Lighting System



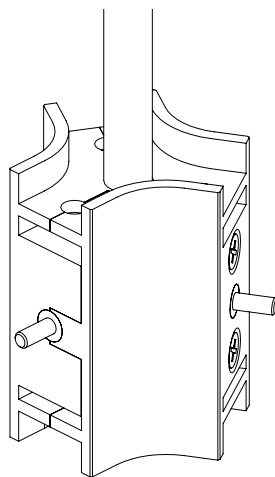
End Hanger
22CxEH1xxx



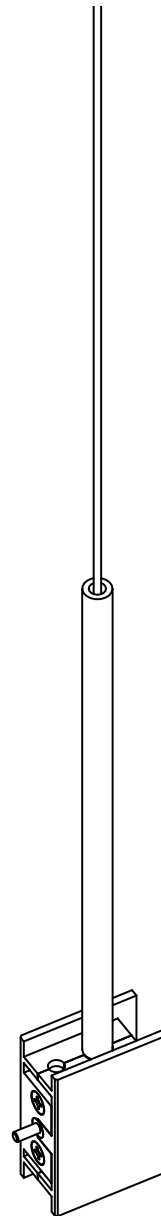
Linear Hanger
22CxLH1xxx



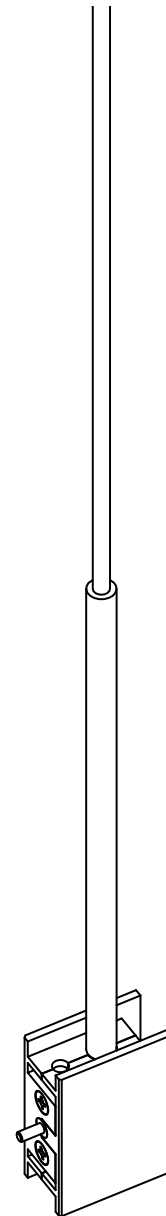
Angle Hanger
22CxAH1xxx



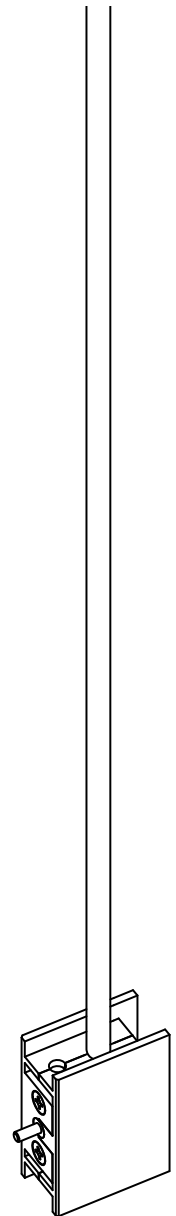
Y Hanger
22CxYH1xxx



Cable with Riser Stem:
For non-electrical suspension. Available for all connector types.



Small Power Cord with Riser Stem:
For power feed and suspension in configurations with up to (8) luminaires. Available for End Hanger Connectors only.



Large Power Cord:
For power feed and suspension in configurations with up to (38) luminaires. Available for all connector types.

Ola™ - Suspension Locations

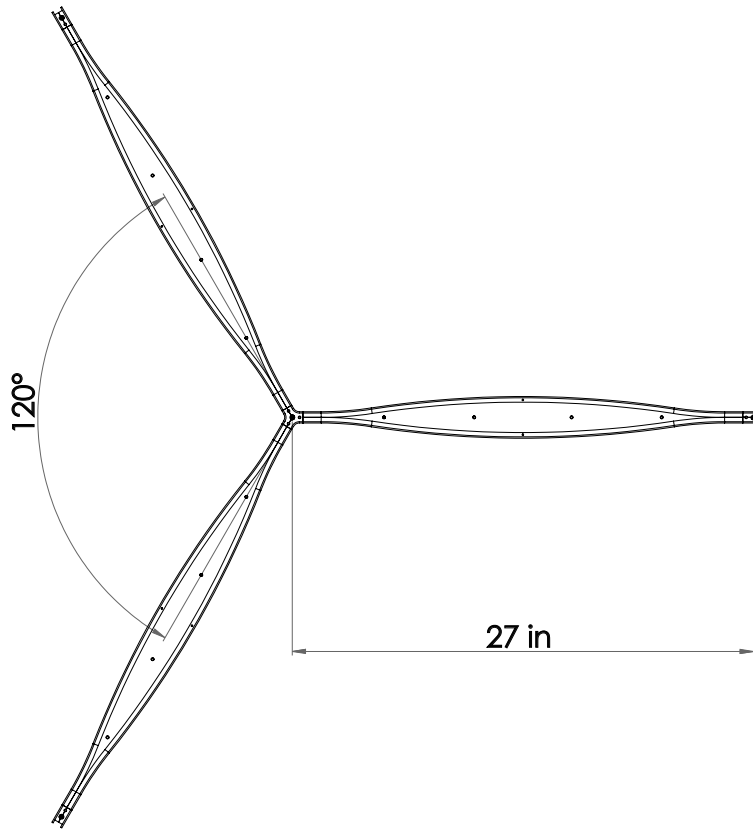
Assembly Instructions

INSTRUCTIONS D'INSTALLATION

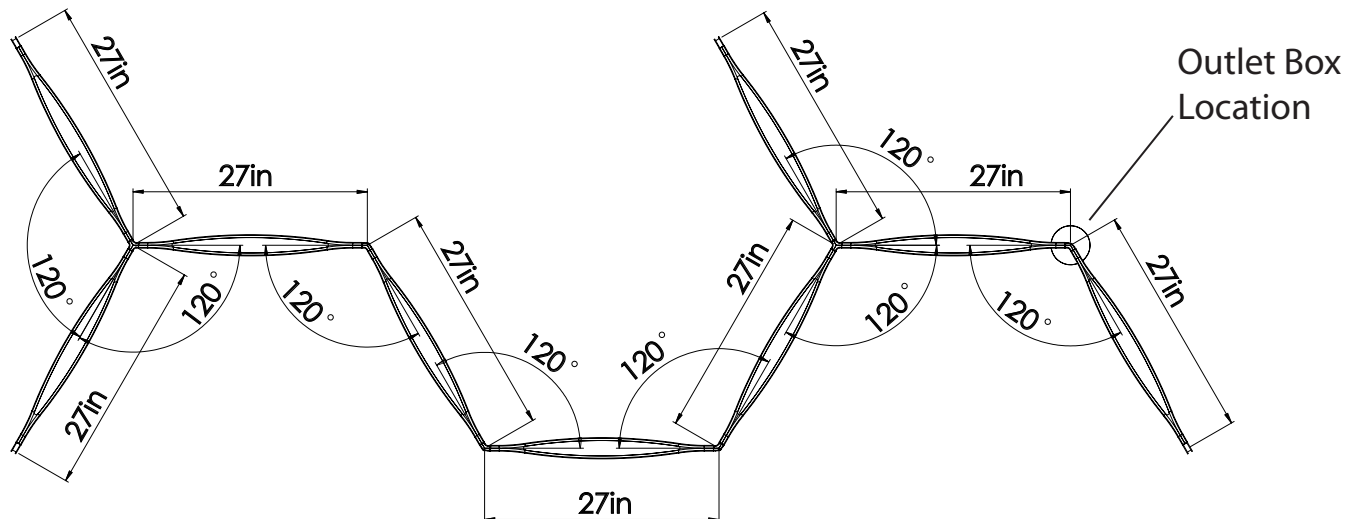
Ola - Modular Lighting System

How to determine suspension locations:

1. Consult site plan for branch circuit outlet box location.
2. Refer to the images below to determine distances between suspension drop points.
3. Measure and mark on ceiling, starting at the branch circuit outlet box, the suspension drop points in your Ola configuration.



Example:



Ola™ - Power Feed Assembly - Driver in Outlet Box

Assembly Instructions

INSTRUCTIONS D'INSTALLATION

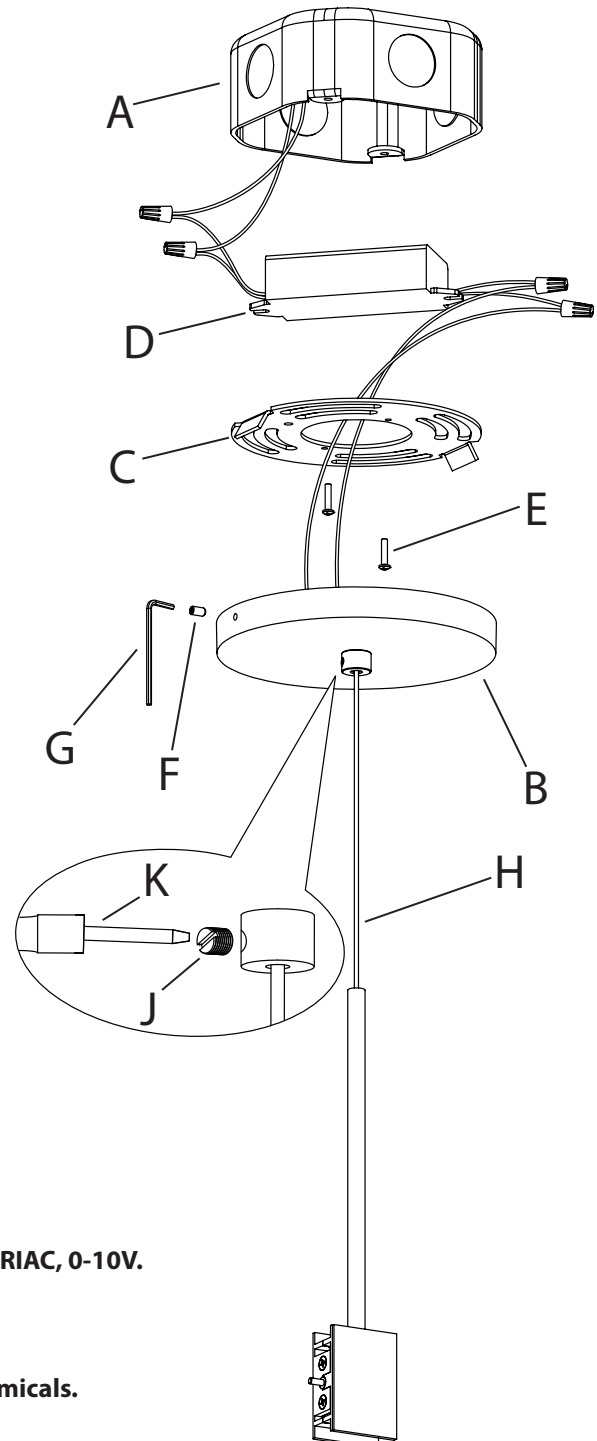
Ola - Modular Lighting System

Important

- Always disconnect the power before installing or replacing parts and before cleaning or other maintenance.
 - Consult a qualified, licensed electrician to ensure correct branch circuit conductor.
- Consulter un électricien qualifié pour vous assurer que les conducteurs de la dérivation sont adéquats.*

Power feed installation (for Luminaire quantity 1):

1. Shut off power to the Outlet Box (A).
 2. Make appropriate electrical connections between LED Driver (D) and branch circuit using wire nuts:
 - a. Connect the LED driver's (D) live wire (black) to the live Outlet Box wire.
 - b. Connect the LED driver's neutral wire (white) to the neutral Outlet Box wire.
 - c. Connect the fixture's ground wire (green or uncoated) to the ground outlet box wire. If no ground is present in Outlet Box, connect fixture's ground wire to the Mounting Plate (C) using the green screw (included).
 - d. Carefully place the LED driver and connections into Outlet Box (A).
 3. Attach the Mounting Plate (C) to the Outlet Box (A), secure with outlet box Screws (E).
 4. Thread Power Cord (H) through the Power Feed (B).
 5. Determine height at which the fixture is to be hung, adjust Power Cord (H) to desired height and secure by tightening the Bushing Set Screw (J) with the included Flat Head Screw Driver (K).
- Attention: If field-cutting is necessary, follow instructions for Coax Power Cord Splicing on Page 12.**
6. Make appropriate electrical connections between LED driver (D) and Power Cord (H) using wire nuts:
 - a. Connect the positive (red) low voltage driver output wire to the positive (inner stranded) fixture wire.
 - b. Connect the negative (black) low voltage driver output wire to the negative (outer braided) fixture wire.
 7. Install the Power Feed (B) to the Mounting Plate (C) and secure with Set Screws (F) using the provided Allen Key (G).
 8. Do not restore power to the Outlet Box (A) until the entire system



Note

- Available dimming options (based on driver selection) are ELV, TRIAC, 0-10V.

Care Instructions

- **Dusting:** Use a clean, dry cloth.
- **Cleaning:** To protect the finish, avoid any harsh abrasives or chemicals.

August 12, 2019

Ola™ - Power Feed Assembly - Driver in Canopy

Assembly Instructions

INSTRUCTIONS D'INSTALLATION

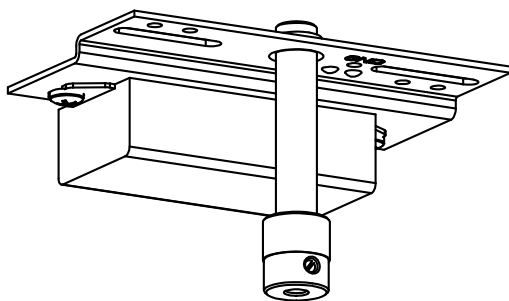
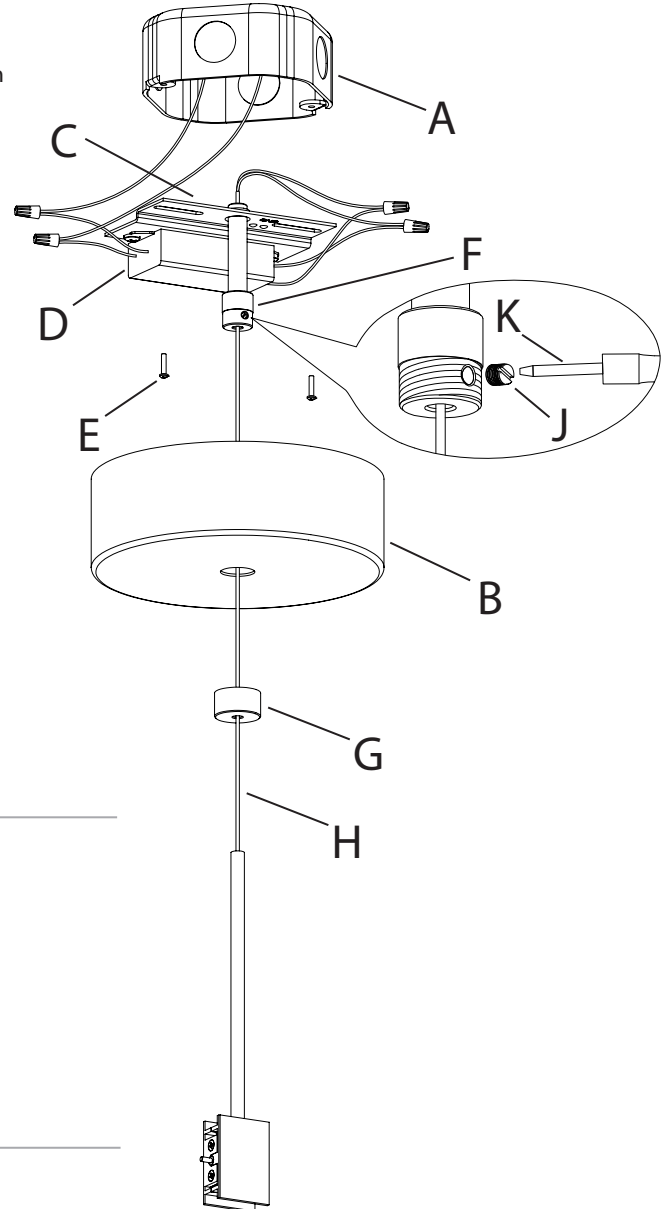
Ola - Modular Lighting System

Important

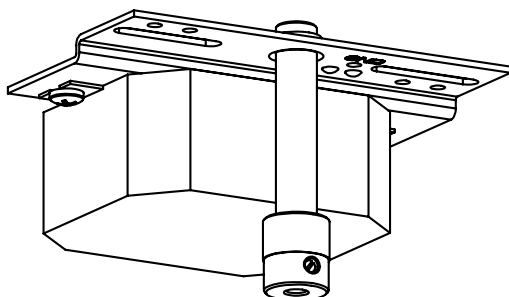
- Always disconnect the power before installing or replacing parts and before cleaning or other maintenance.
 - Consult a qualified, licensed electrician to ensure correct branch circuit conductor.
- Consulter un électricien qualifié pour vous assurer que les conducteurs de la dérivation sont adéquats.*

Power feed installation (for Luminaire quantity 1-3):

1. Shut off power to the Outlet Box (A).
2. Make appropriate electrical connections between LED Driver (D) and branch circuit using wire nuts:
 - a. Connect the LED Driver's (D) live wire (black) to the live Outlet Box wire.
 - b. Connect the LED Driver's neutral wire (white) to the neutral Outlet Box wire.
 - c. Connect the fixture's ground wire (green or uncoated) to the ground Outlet Box wire. If no ground is present in Outlet Box, connect fixture's ground wire to the Crossbar (C) using the green screw (included).
 - d. Carefully place connections into Outlet Box.
3. Attach the Crossbar (C) to the Outlet Box (A), secure with Outlet Box Screws (E).
4. Thread Power Cord (H) through Power Feed Nut (G), Power Feed (B), Nipple (F) and Crossbar (C).
5. Determine height at which the fixture is to be hung, adjust Power Cord (H) to desired height and secure by tightening the Set Screw (J) with the included Flat Head Screw Driver (K). Reserve extra cord in the Power Feed (B). **Attention: If field-cutting is necessary, follow instructions for Coax Power Cord Splicing on Page 12.**
6. Make appropriate electrical connections between LED driver (D) and Power Cord (H) using wire nuts:
 - a. Connect the positive (red) low voltage driver output wire to the positive (inner stranded) fixture wire.
 - b. Connect the negative (black) low voltage driver output wire to the negative (outer braided) fixture wire.
7. Install the Power Feed (B) to the Nipple (F) and secure with Power Feed Nut (G).



Driver profile:
For 1 Luminaire



Driver profile:
For 2-3 Luminaire

Note

Available dimming options (based on driver selection) are ELV, TRIAC, 0-10V.

Care Instructions

- **Dusting:** Use a clean, dry cloth.
- **Cleaning:** To protect the finish, avoid any harsh abrasives or chemicals.

Ola™ - Power Feed Assembly - Remote Mount

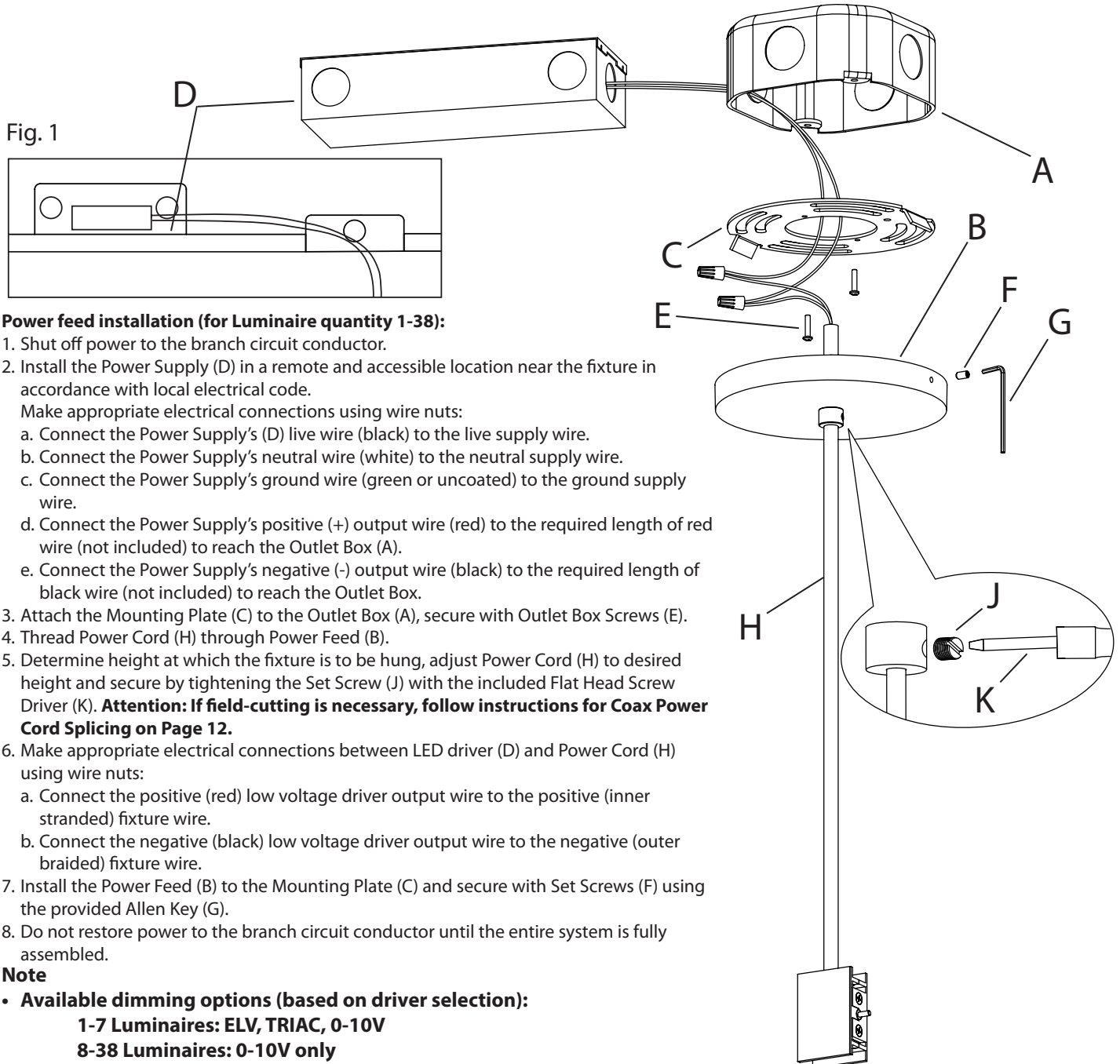
Assembly Instructions

INSTRUCTIONS D'INSTALLATION

Ola - Modular Lighting System

Important

- Always disconnect the power before installing or replacing parts and before cleaning or other maintenance.
- Consult a qualified, licensed electrician to ensure correct branch circuit conductor.
Consulter un électricien qualifié pour vous assurer que les conducteurs de la dérivation sont adéquats.



Power feed installation (for Luminaire quantity 1-38):

1. Shut off power to the branch circuit conductor.
2. Install the Power Supply (D) in a remote and accessible location near the fixture in accordance with local electrical code.
Make appropriate electrical connections using wire nuts:
 - a. Connect the Power Supply's (D) live wire (black) to the live supply wire.
 - b. Connect the Power Supply's neutral wire (white) to the neutral supply wire.
 - c. Connect the Power Supply's ground wire (green or uncoated) to the ground supply wire.
 - d. Connect the Power Supply's positive (+) output wire (red) to the required length of red wire (not included) to reach the Outlet Box (A).
 - e. Connect the Power Supply's negative (-) output wire (black) to the required length of black wire (not included) to reach the Outlet Box.
3. Attach the Mounting Plate (C) to the Outlet Box (A), secure with Outlet Box Screws (E).
4. Thread Power Cord (H) through Power Feed (B).
5. Determine height at which the fixture is to be hung, adjust Power Cord (H) to desired height and secure by tightening the Set Screw (J) with the included Flat Head Screw Driver (K). **Attention: If field-cutting is necessary, follow instructions for Coax Power Cord Splicing on Page 12.**
6. Make appropriate electrical connections between LED driver (D) and Power Cord (H) using wire nuts:
 - a. Connect the positive (red) low voltage driver output wire to the positive (inner stranded) fixture wire.
 - b. Connect the negative (black) low voltage driver output wire to the negative (outer braided) fixture wire.
7. Install the Power Feed (B) to the Mounting Plate (C) and secure with Set Screws (F) using the provided Allen Key (G).
8. Do not restore power to the branch circuit conductor until the entire system is fully assembled.

Note

- Available dimming options (based on driver selection):

1-7 Luminaires: ELV, TRIAC, 0-10V

8-38 Luminaires: 0-10V only

Care Instructions

- Dusting: Use a clean, dry cloth.
- Cleaning: To protect the finish, avoid any harsh abrasives or chemicals.

Ola™ - Power Feed Assembly - Switchex

Assembly Instructions

INSTRUCTIONS D'INSTALLATION

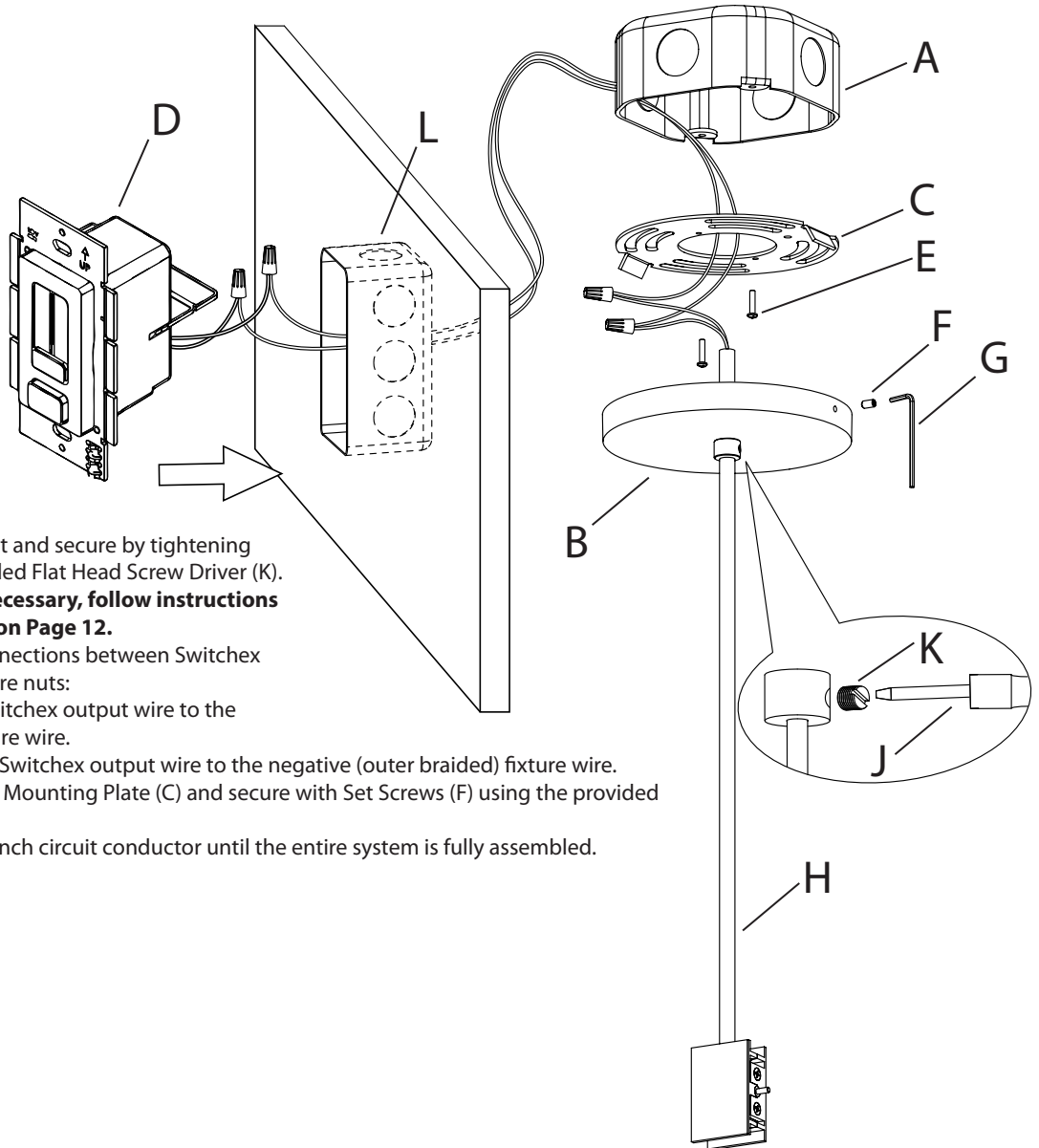
Ola - Modular Lighting System

Important

- Always disconnect the power before installing or replacing parts and before cleaning or other maintenance.
 - Consult a qualified, licensed electrician to ensure correct branch circuit conductor.
- Consulter un électricien qualifié pour vous assurer que les conducteurs de la dérivation sont adéquats.*

Power feed installation (for Luminaire quantity 1-8):

1. Shut off power to the branch circuit conductor.
 2. Remove existing light switch (if applicable)
 3. Install Switchex (D) in Switch Box (L). Make appropriate electrical connections using wire nuts, refer to the Switchex installation instruction for more details.
 4. Attach the Mounting Plate (C) to the Outlet Box (A), secure with Outlet Box Screws (E).
 5. Thread Power Cord (H) through Power Feed (B).
 6. Determine height at which the fixture is to be hung, adjust Power Cord (H) to desired height and secure by tightening the Set Screw (J) with the included Flat Head Screw Driver (K).
- Attention: If field-cutting is necessary, follow instructions for Coax Power Cord Splicing on Page 12.**
7. Make appropriate electrical connections between Switchex (D) and Power Cord (H) using wire nuts:
 - a. Connect the positive (red) Switchex output wire to the positive (inner stranded) fixture wire.
 - b. Connect the negative (black) Switchex output wire to the negative (outer braided) fixture wire.
 8. Install the Power Feed (B) to the Mounting Plate (C) and secure with Set Screws (F) using the provided Allen Key (G).
 9. Do not restore power to the branch circuit conductor until the entire system is fully assembled.



Note

- Available dimming options (based on driver selection):
 - 1-4 Luminaires: 40W model
 - 5-8 Luminaires: 60W model

Care Instructions

- Dusting: Use a clean, dry cloth.
- Cleaning: To protect the finish, avoid any harsh abrasives or chemicals.

Ola™ - Cable Suspension Assembly

Assembly Instructions

INSTRUCTIONS D'INSTALLATION

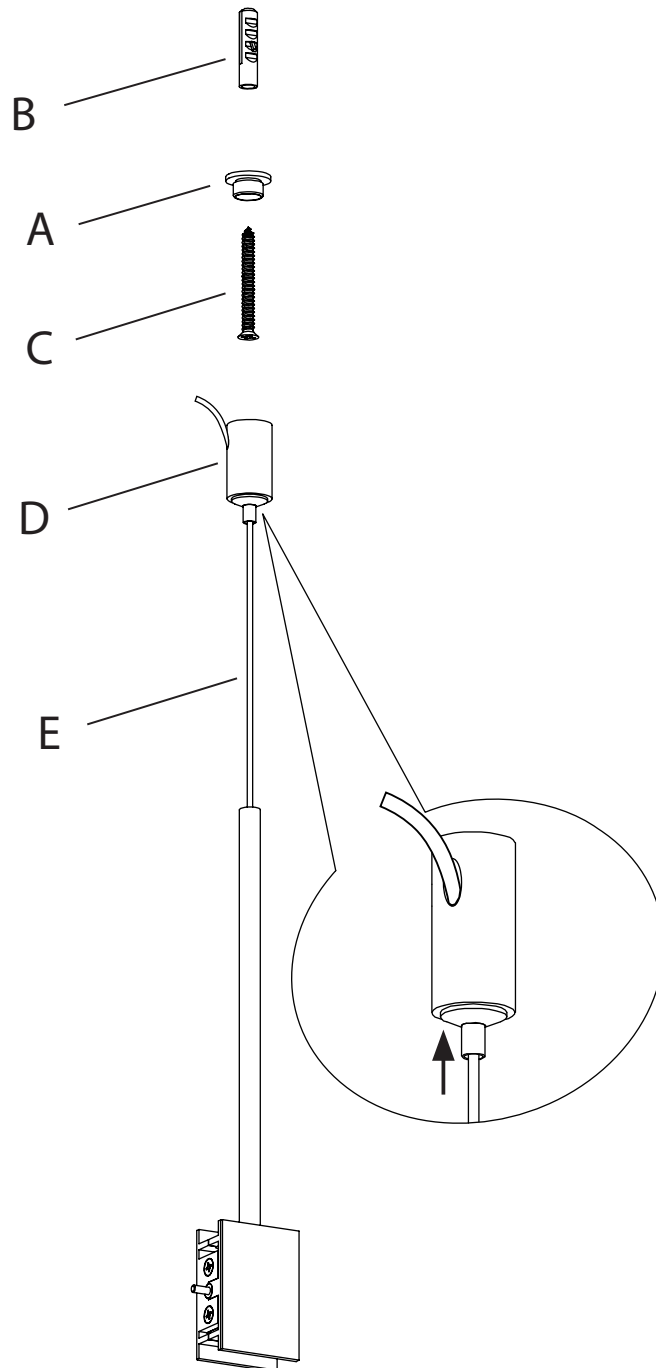
Ola - Modular Lighting System

Important

- Always disconnect the power before installing or replacing parts and before cleaning or other maintenance.
- Consult a qualified, licensed electrician to ensure correct branch circuit conductor.
Consulter un électricien qualifié pour vous assurer que les conducteurs de la dérivation sont adéquats.

How to assemble and install cable suspension connectors:

1. After the suspension drop locations have been determined, install the Mounting Bracket (A) to the ceiling with Anchor (B) (if appropriate) and Screw (C), then screw the Post (D) onto the Mounting Bracket. **CAUTION: Customer is responsible for ensuring appropriate ceiling construction to support the weight of the fixture.**
2. Insert the Cable (E) into the Post (D) and adjust to the desired length: to shorten, push the cable up; to lengthen, push in the plunger while pulling down on the Cable, release the plunger to lock. Cut off the excess cable where it exits the Post. **CAUTION: Do not cut off excess cable until after the final step when the configuration is fully assembled and leveled.**



Ola™ - Luminaire Assembly

Assembly Instructions

INSTRUCTIONS D'INSTALLATION

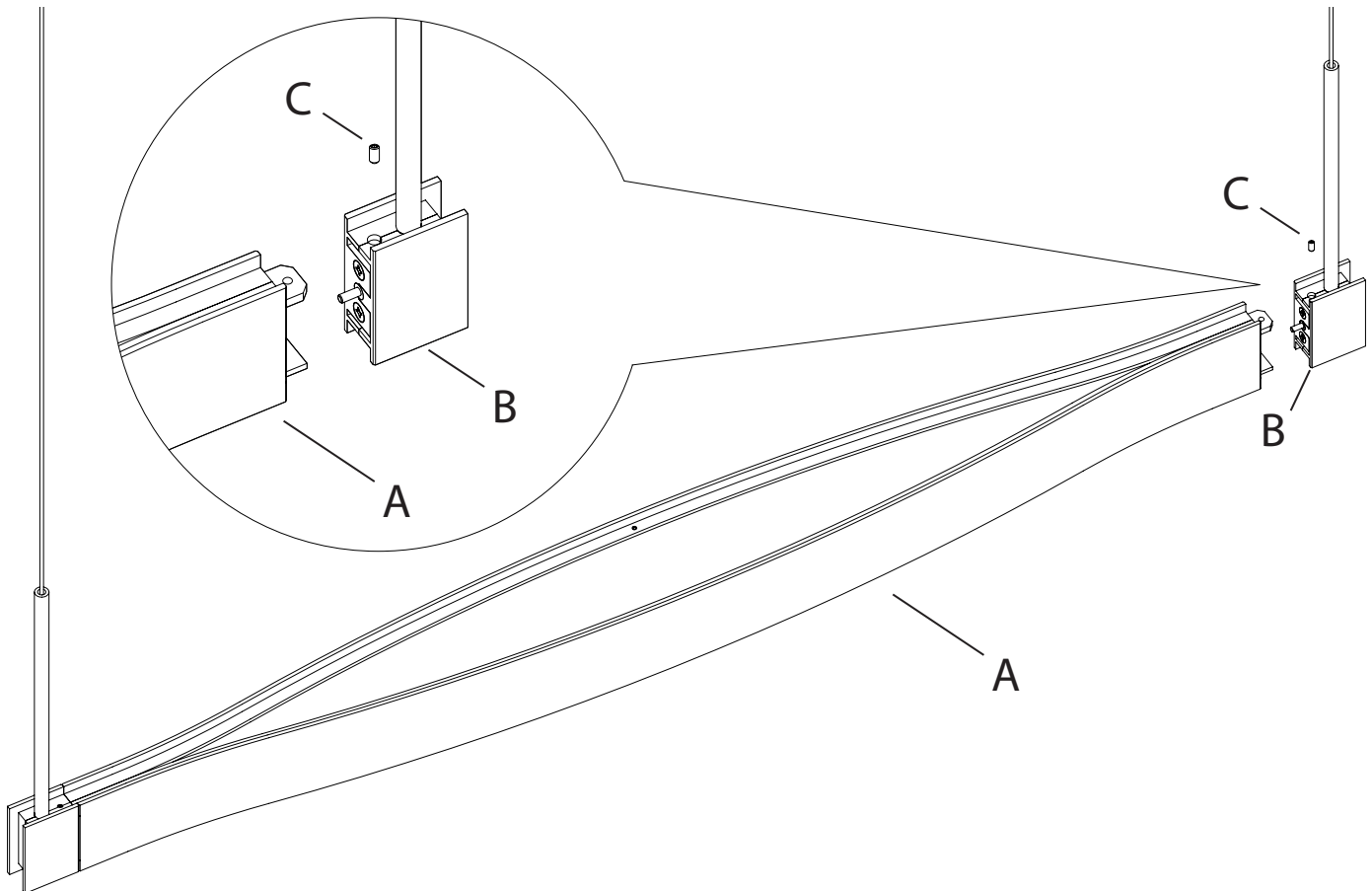
Ola - Modular Lighting System

Important

- Always disconnect the power before installing or replacing parts and before cleaning or other maintenance.
- Consult a qualified, licensed electrician to ensure correct branch circuit conductor.
Consulter un électricien qualifié pour vous assurer que les conducteurs de la dérivation sont adéquats.

How to assemble luminaires to connectors:

1. After the power feed and cable suspension hangers are assembled and anchored to the ceiling, attach Luminaires (A) to the Connectors (B) by inserting the ends of the Luminaire into adjacent Connectors.
2. Secure Luminaires (A) to Connectors (B) by installing the Retaining Set Screws (C).
3. Repeat steps 1 and 2 for all Luminaires (A).
4. After all Luminaires (A) are installed, level the configuration and trim all excess cables. Restore power to Outlet Box.



Ola™ - Coax Splicing

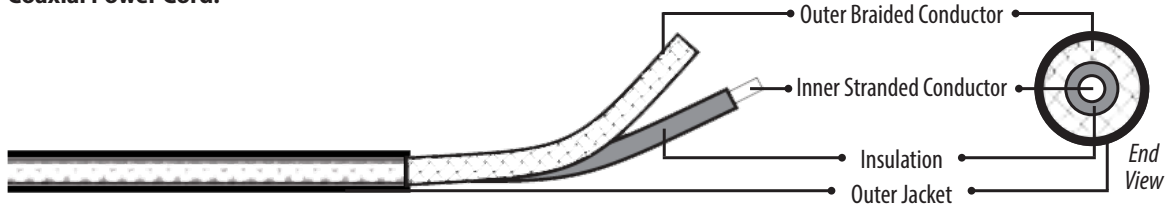
Assembly Instructions

INSTRUCTIONS D'INSTALLATION

Ola - Modular Lighting System

FAILURE TO FOLLOW THESE INSTRUCTIONS WILL VOID THE WARRANTY

Coaxial Power Cord:



If field-cutting is required, please follow the below instructions:

1. Make a 1" slice along the length of the cord's outer jacket (Fig. 1). **CAUTION: Do not cut through the outer braided conductor.**
2. Carefully strip the outer jacket of the cord and keep the outer braided conductors intact (Fig. 1).
3. Slide the outer braided conductor back to create a bulge and reveal the inner stranded conductor (Fig. 2).
4. Bend the cord to create an opening through the bunched-up portion of outer braided conductor, then pull out the inner stranded conductor (Fig. 3)
5. Twist together the outer braided conductor to form the negative wire of the fixture, then strip 5/8" off the end of the inner stranded conductor to form the positive wire of the fixture (Fig. 4).
6. Re-splice all power cords.

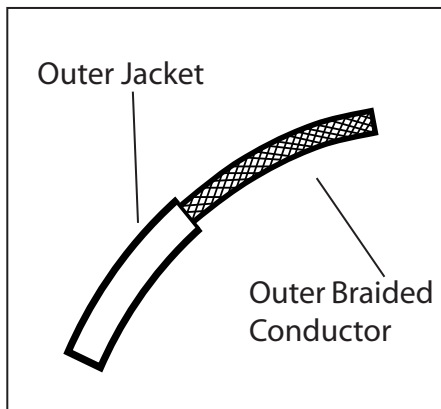


Fig. 1

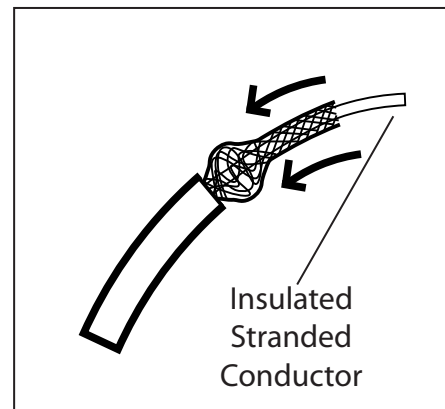


Fig. 2

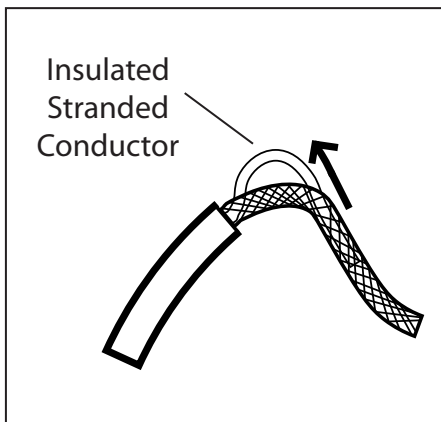


Fig. 3

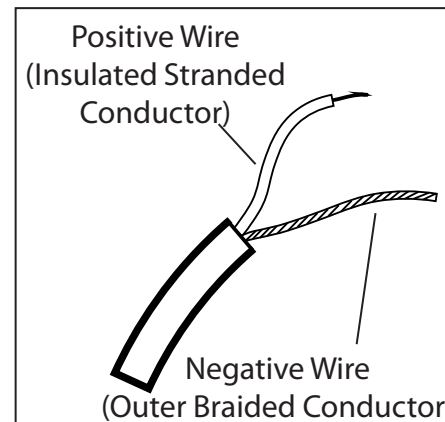


Fig. 4