

OCULARC 3.5 LED RECESSED

New Construction and Remodel Housing

WAC LIGHTING

Responsible Lighting®

SPECIFICATIONS

Construction: 20 Gauge cold rolled steel
Dimming: 100% - 5% 0-10V, 100% - 1% ELV, TRIAC
Input: 120 - 277V AC
Cut out: New Construction: 4¼", Remodel: 3⅞" (Round)
 New Construction: 4¼"x4¼", Remodel: 3⅞"x3⅞" (Square)
Ceiling Thickness: ½" - 1"
Mounting: Retention clips firmly hold light engine to housing
Standard: UL&cUL
Warranty: 5 year WAC Lighting product warranty

Fixture Type:

Catalog Number:

Project:

Location:

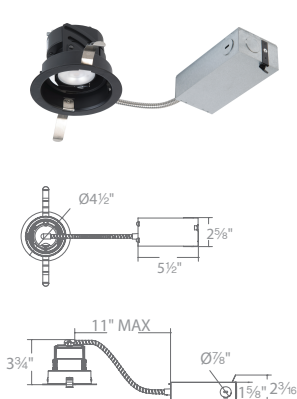
Round New Construction



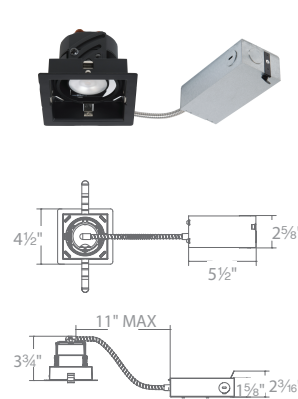
Square New Construction



Round Remodel Trim

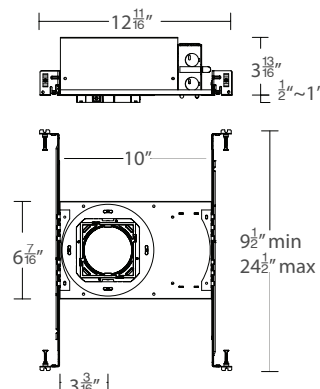
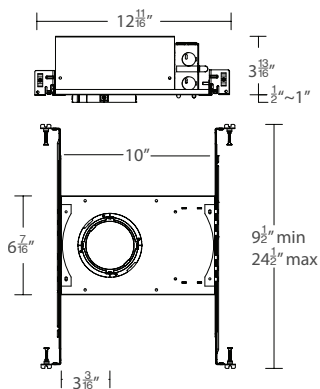


Square Remodel Trim

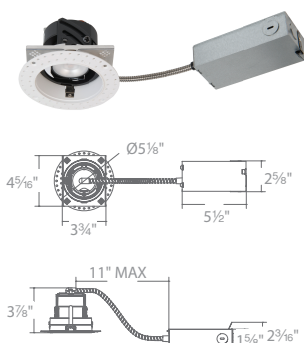


• Trimless: Die-cast spackle frame included

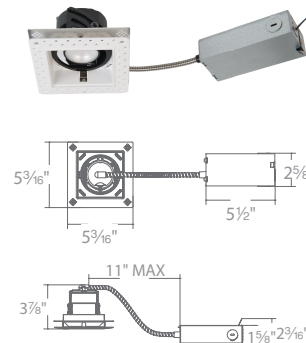
• Trimless: Die-cast spackle frame included



Round Remodel Trimless



Square Remodel Trimless



HOUSINGS

	Model		Rating	CRI (90) CCT	Color Temp
Round	R3CRN Round New Construction		IC Airtight	927	2700K
	R3CRR Round Remodel Trim		Non IC	930	3000K
	R3CRRL Round Remodel Trimless		Non IC	935	3500K
				940	4000K
Square	R3CSN Square New Construction		IC Airtight	927	2700K
	R3CSR Square Remodel Trim		Non IC	930	3000K
	R3CSRL Square Remodel Trimless		Non IC	935	3500K
				940	4000K

Replacement Film

D-R3C-FILM

Replacement Film Package (Order Separately)

R3C _____ **-11-** _____
 Example: R3CRN-11-927

wacighting.com
 Phone (800) 526.2588
 Fax (800) 526.2585

Headquarters/Eastern Distribution Center
 44 Harbor Park Drive
 Port Washington, NY 11050

Central Distribution Center
 1600 Distribution Ct
 Lithia Springs, GA 30122

Western Distribution Center
 1750 Archibald Avenue
 Ontario, CA 91760