

INSTALLATION INSTRUCTIONS

Ocularc 3.5 Dim-to-Warm Remodel

WAC LIGHTING

R3CRR-16-WD, R3CSR-16-WD, R3CRRL-16-WD, R3CSRL-16-WD

SAFETY INSTRUCTION

IMPORTANT: NEVER attempt any work without shutting off the electricity.

- Read all instructions before installing.
- System is intended for installation by a qualified electrician in accordance with the National Electrical Code and local regulations.
- Go to the main fuse box, or circuit breaker. Place the main power switch in the "OFF" position and unscrew the fuse(s) or switch "OFF" the circuit breaker switch(es) that control the power to the fixture or room that you are working on.
- Place the wall switch in the "OFF" position.

AVERTISSEMENT

IMPORTANT : Coupez l'électricité avant TOUTE manipulation.

- Lisez toutes les instructions avant d'installer.
- Système est destiné à être installé par un électricien qualifié en conformité avec le code national de l'électricité et les règlements locaux.
- Accédez au panneau central de disjoncteurs ou de fusibles de votre demeure et placez l'interrupteur principal en position d'arrêt (« OFF »).
- Placez l'interrupteur mural en position d'arrêt (« OFF »).

CAUTION:

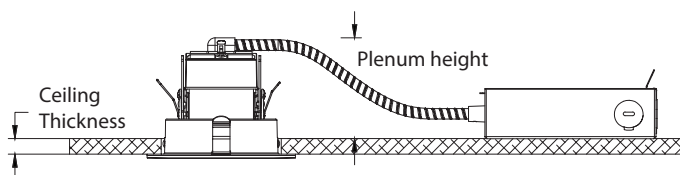
All parts must be used as indicated in these instructions. Do not substitute any parts, leave parts out, or use any parts that are worn out or broken. Failure to follow this instruction could invalidate the UL/cUL listing of this fixture.

OVERVIEW:

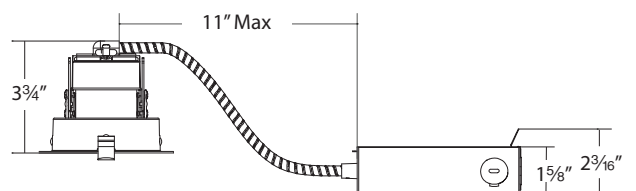
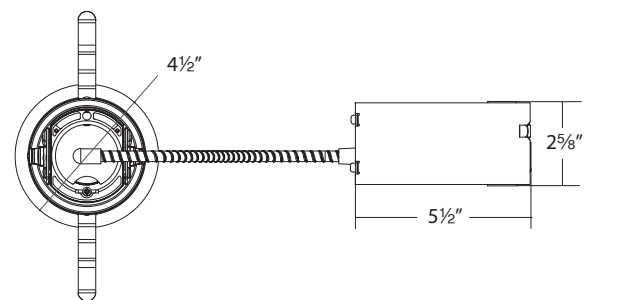
Housing is remodel Non-IC. Housing requires a trim for finished look. Refer to specification sheets for compatible trim options.

INSTALLATION REQUIREMENT

Ceiling Thickness	Minimum Required Plenum Height	
	Trim	Trimless
½"	4"	6"
1"	3½"	5½"



OVERALL HOUSING DIMENSION



SPECIFICATIONS	
Input:	120-277V, 50/60HZ
Installation:	Non-IC
Dimming:	Triac / ELV / 0 -10V

wacighting.com
Phone (800) 526.2588
Fax (800) 526.2585

Headquarters/Eastern Distribution Center
44 Harbor Park Drive
Port Washington, NY 11050

Central Distribution Center
1600 Distribution Ct
Lithia Springs, GA 30122

Western Distribution Center
1750 Archibald Avenue
Ontario, CA 91760



INSTALLATION INSTRUCTIONS

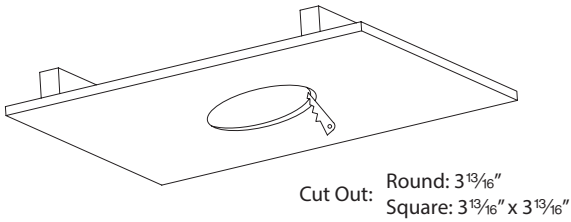
Ocularc 3.5 Dim-to-Warm Remodel

WAC LIGHTING

R3CRR-16-WD, R3CSR-16-WD, R3CRRL-16-WD, R3CSRL-16-WD

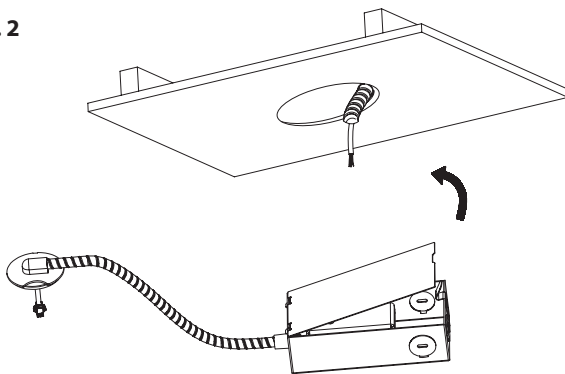
HOUSING INSTALLATION:

FIG. 1



1. At the point of installation, cut a 3 13/16" round hole for a round trim/trimless or a 3 13/16" X 3 13/16" square hole for a square trim/trimless (See **FIG. 1**)

FIG. 2



2. Pull building supply wires through ceiling cutout and open fixture junction box door (See **FIG. 2**). Remove desired housing knockout and feed building wires into housing using appropriate connector.
3. Remove spring latched fixture junction box door and connect fixture wires to building wires: Insert each supply wire into appropriate junction box wire connector. This fixture features electronic low voltage (ELV) or TRIAC or 0-10V dimming capabilities (See **FIG. 3**).
To utilize ELV or TRIAC, wire black (line hot), white (line neutral) and green(ground) in accordance to dimmer specifications. To utilize 0-10V dimming, wire purple (dim+), gray (dim-), black (line hot), white (line neutral) and green (ground) in accordance to dimmer specifications.
When not using a dimmer, connect black fixture wire to hot, white fixture wire to neutral and green fixture wire to ground. Leave all other wires capped individually.

FIG. 3

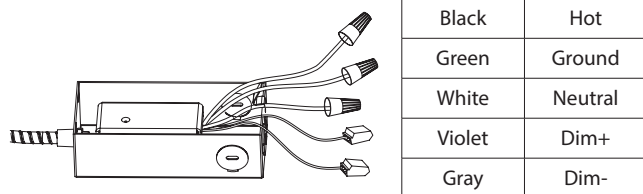
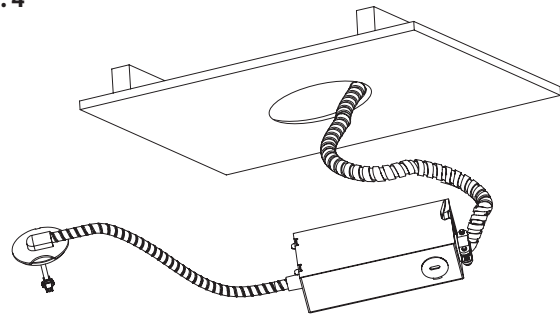
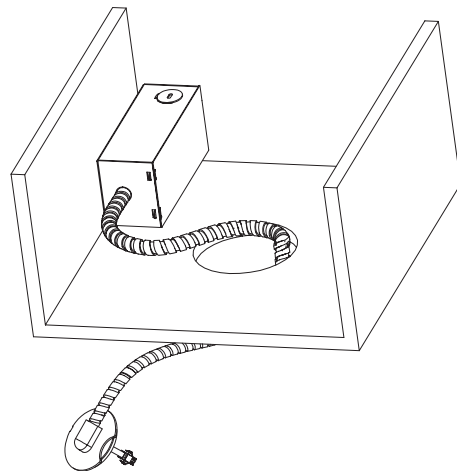


FIG. 4



4. Place all wiring and connectors back in junction box and replace the junction box's cover (See **FIG. 4**)

FIG. 5



5. Guide junction box through the cut hole and secure appropriately using either internal mounting slots or external key hole (See **FIG. 5**).

wacighting.com

Phone (800) 526.2588

Fax (800) 526.2585

Headquarters/Eastern Distribution Center

44 Harbor Park Drive

Port Washington, NY 11050

Central Distribution Center

1600 Distribution Ct

Lithia Springs, GA 30122

Western Distribution Center

1750 Archibald Avenue

Ontario, CA 91760



INSTALLATION INSTRUCTIONS

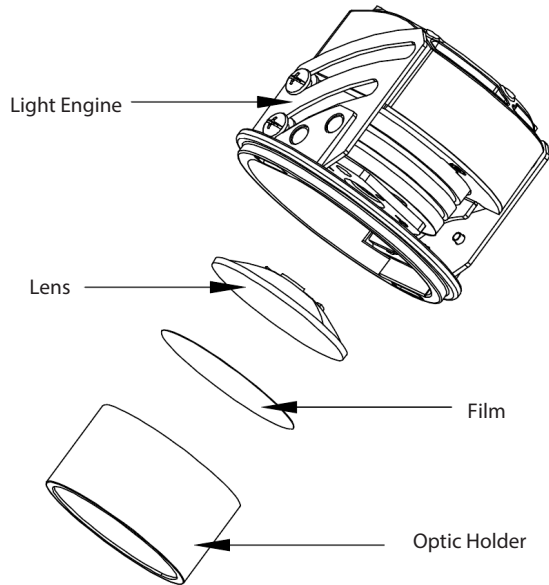
WAC LIGHTING

Ocularc 3.5 Dim-to-Warm Remodel

R3CRR-16-WD, R3CSR-16-WD, R3CRRL-16-WD, R3CSRL-16-WD

- 6. Prior to installing the light engine into housing, adjust fixture to desired beam angle. Light engine comes factory installed with narrow flood optic. To adjust to flood, add "F" optical film. Films install behind optical holder and in front of lens, the glossy side facing outward. (See Fig. 5A).

FIG 5A



DO NOT DISCARD RETAIN OPTICAL FILMS FOR FUTURE USE	
<u>FIXTURE BEAM</u>	<u>OPTICAL FILM</u>
NARROW FLOOD:	NO FILM
FLOOD:	FILM MARKED WITH "F" (IN PACKET BY FACTORY)
WALL WASH:	NO FILM

waclighting.com
Phone (800) 526.2588
Fax (800) 526.2585

Headquarters/Eastern Distribution Center
44 Harbor Park Drive
Port Washington, NY 11050

Central Distribution Center
1600 Distribution Ct
Lithia Springs, GA 30122

Western Distribution Center
1750 Archibald Avenue
Ontario, CA 91760



INSTALLATION INSTRUCTIONS

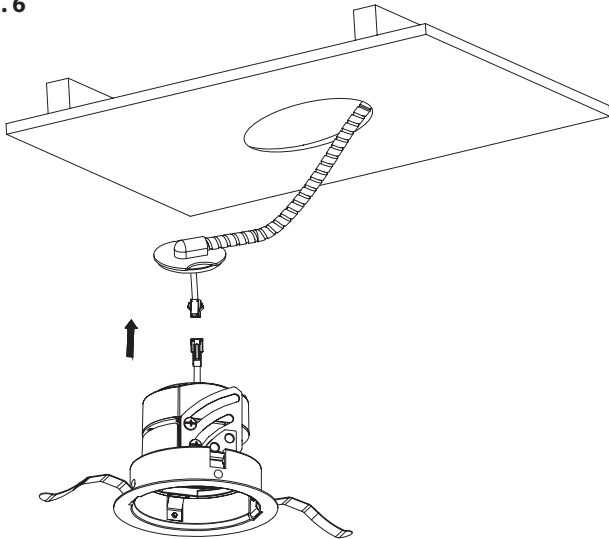
Ocularc 3.5 Dim-to-Warm Remodel

WAC LIGHTING

R3CRR-16-WD, R3CSR-16-WD, R3CRRL-16-WD, R3CSRL-16-WD

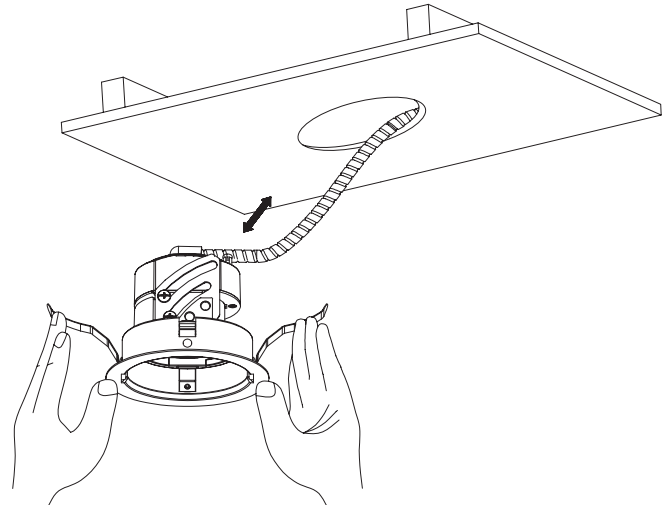
FOR FLAGED INSTALLATION

FIG. 6



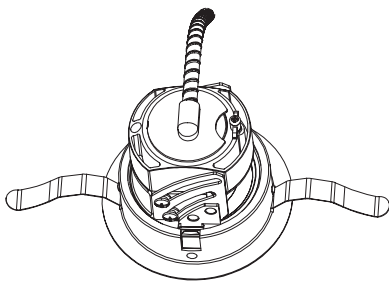
1. Raise the module to ceiling and connect power connector. Secure cap on top of heat sink by locking wing nut (See FIG. 6 & 7).

FIG. 8

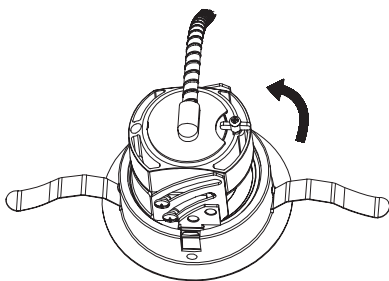


2. Fold trim assembly mounting springs inward and insert module assembly into ceiling cutout. Be sure once installed, trim assembly is flush and secure (See FIG. 8).

FIG. 7



UNLOCK



LOCK

FIG. 9

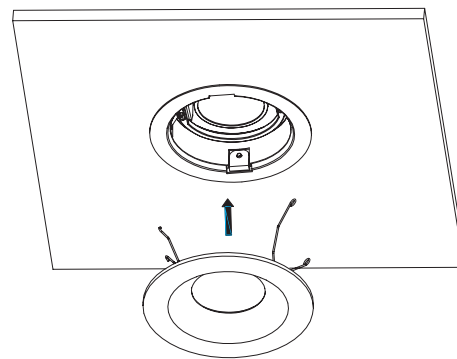
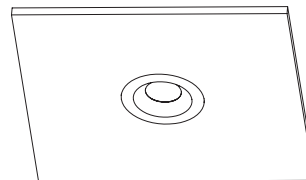


FIG. 10



3. Refer to installation instructions for appropriate trim to complete the installation (See FIG. 9 & 10).

waclighting.com
Phone (800) 526.2588
Fax (800) 526.2585

Headquarters/Eastern Distribution Center
44 Harbor Park Drive
Port Washington, NY 11050

Central Distribution Center
1600 Distribution Ct
Lithia Springs, GA 30122

Western Distribution Center
1750 Archibald Avenue
Ontario, CA 91760



INSTALLATION INSTRUCTIONS

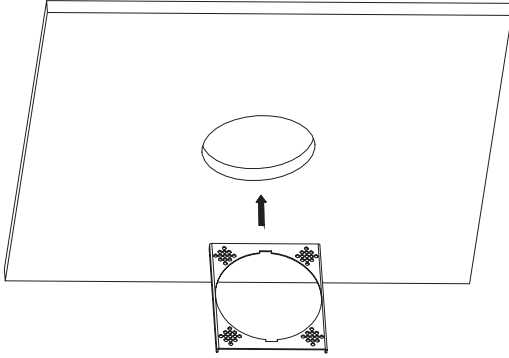
Ocularc 3.5 Dim-to-Warm Remodel

WAC LIGHTING

R3CRR-16-WD, R3CSR-16-WD, R3CRRL-16-WD, R3CSRL-16-WD

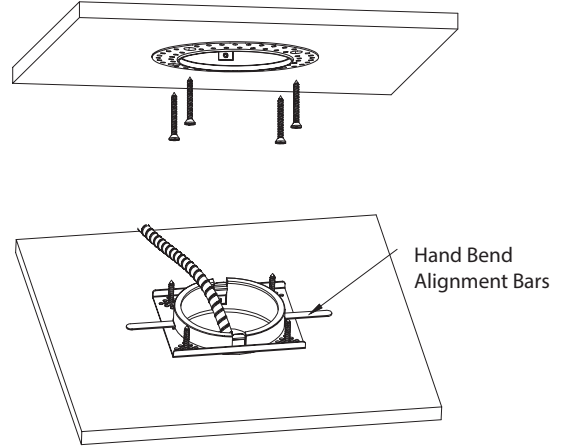
FOR TRIMLESS INSTALLATION

FIG. 11



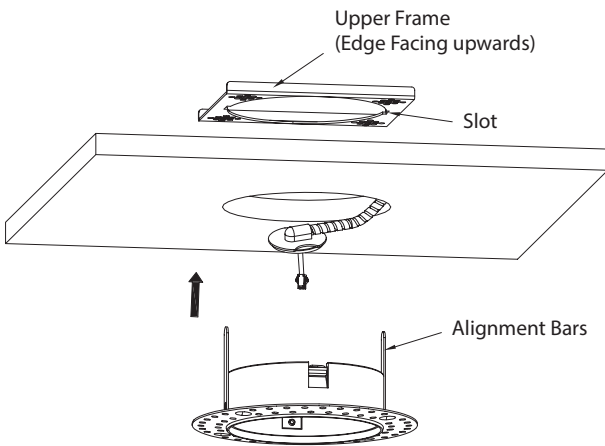
1. Insert upper frame through ceiling opening. Angling maybe required (See FIG. 11)

FIG. 13



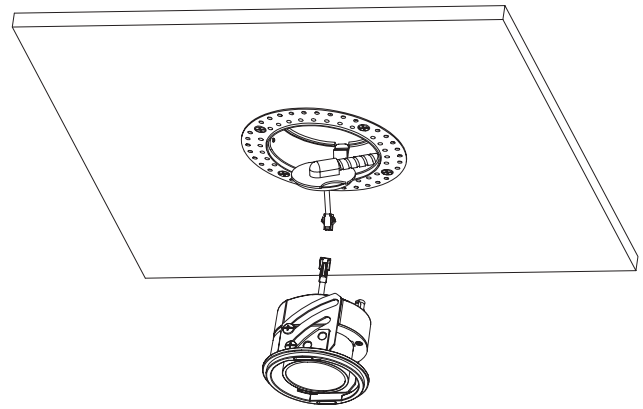
3. With upper frame and invisible trim frame flush with both ceiling surfaces, hand bend the alignment bars parallel to ceiling (See FIG. 13).

FIG. 12



2. Raise invisible trim frame to ceiling cut out and insert alignment bars into upper frame alignment slots (See FIG. 12).

FIG. 14



4. Raise the module to ceiling and connect power connector. Secure cap on top of heat sink by locking wing nut (See FIG. 14).

wacighting.com
Phone (800) 526.2588
Fax (800) 526.2585

Headquarters/Eastern Distribution Center
44 Harbor Park Drive
Port Washington, NY 11050

Central Distribution Center
1600 Distribution Ct
Lithia Springs, GA 30122

Western Distribution Center
1750 Archibald Avenue
Ontario, CA 91760



INSTALLATION INSTRUCTIONS

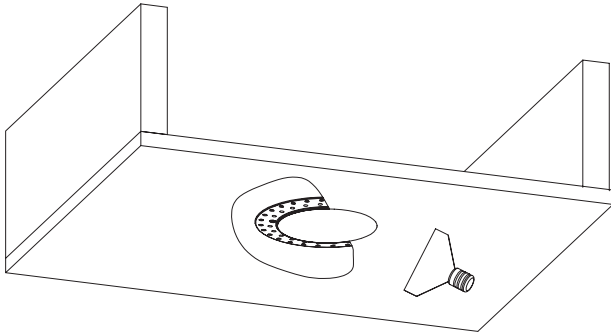
Ocularc 3.5 Dim-to-Warm Remodel

WAC LIGHTING

R3CRR-16-WD, R3CSR-16-WD, R3CRRL-16-WD, R3CSRL-16-WD

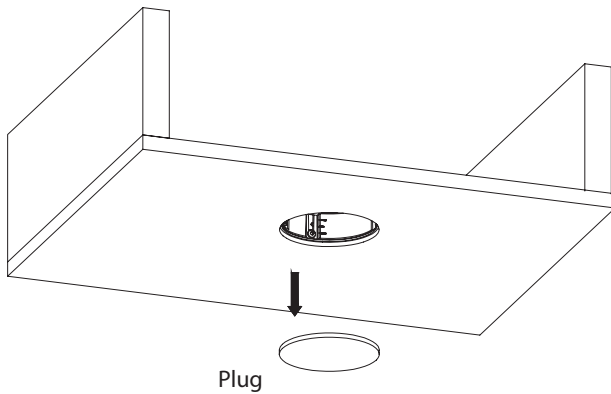
FOR TRIMLESS INSTALLATION (CON'T)

FIG. 15



5. Insert plaster shield inside trim opening. Apply plaster or spackle over invisible trim frame and sand surface dry for finished look (See **FIG. 15**).

FIG. 16



6. Remove the plaster shield when finishing is complete (See **FIG. 16**).
7. Refer to installation instructions for appropriate trim to complete the installation.

wacighting.com
Phone (800) 526.2588
Fax (800) 526.2585

Headquarters/Eastern Distribution Center
44 Harbor Park Drive
Port Washington, NY 11050

Central Distribution Center
1600 Distribution Ct
Lithia Springs, GA 30122

Western Distribution Center
1750 Archibald Avenue
Ontario, CA 91760

