

INSTALLATION INSTRUCTION

OCULARC 1.0 - New Construction/Remodel

R1BRD, R1BSD, R1BRA, R1BSA

WAC LIGHTING

Responsible Lighting®

SAFETY INSTRUCTION

IMPORTANT: NEVER attempt any work without shutting off the electricity.

- Read all instructions before installing.
- System is intended for installation by a qualified electrician in accordance with the National Electrical Code and local regulations.
- Go to the main fuse box, or circuit breaker. Place the main power switch in the "OFF" position and unscrew the fuse(s) or switch "OFF" the circuit breaker switch(es) that control the power to the fixture or room that you are working on.
- Place the wall switch in the "OFF" position.

AVERTISSEMENT

IMPORTANT : Coupez l'électricité avant TOUTE manipulation.

- Lisez toutes les instructions avant d'installer.
- Système est destiné à être installé par un électricien qualifié en conformité avec le code national de l'électricité et les règlements locaux.
- Accédez au panneau central de disjoncteurs ou de fusibles de votre demeure et placez l'interrupteur principal en position d'arrêt (« OFF »).
- Placez l'interrupteur mural en position d'arrêt (« OFF »).

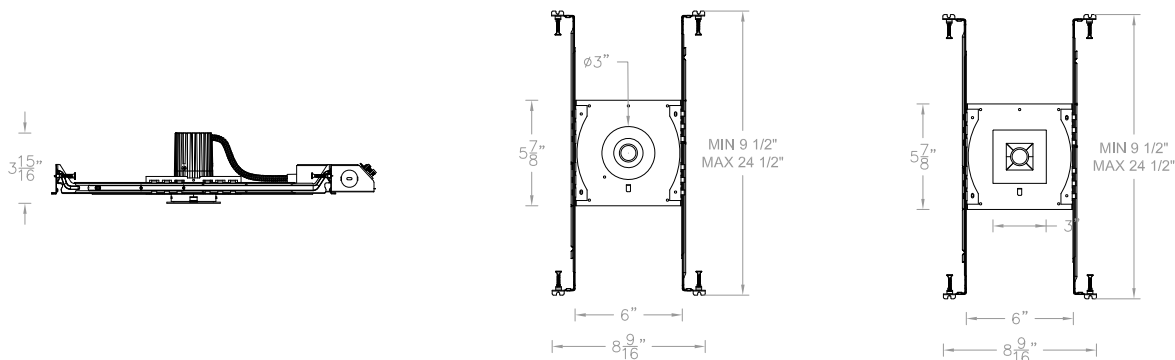
CAUTION

All parts must be used as indicated in these instructions. Do not substitute any parts, leave parts out, or use any parts that are worn out or broken. Failure to follow could invalidate the ETL/cETL listing of this fixture.

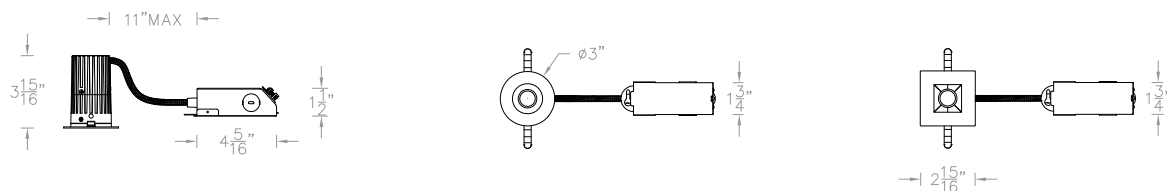
OVERVIEW

Housing is new construction Airtight IC or remodel Airtight IC (Refer to table below). Housing requires a trim for finished look. Refer to specification sheets for compatible trim options.

NEW CONSTRUCTION OVERALL DIMENSIONS



REMODEL OVERALL DIMENSIONS



SPECIFICATIONS	
Input:	120V
Installation:	IC for all models (8W MAX)
Dimming:	ELV / TRIAC

waclighting.com
Phone (800) 526.2588
Fax (800) 526.2585

Headquarters/Eastern Distribution Center
44 Harbor Park Drive
Port Washington, NY 11050

Central Distribution Center
1600 Distribution Ct
Lithia Springs, GA 30122

Western Distribution Center
1750 Archibald Avenue
Ontario, CA 91760

INSTALLATION INSTRUCTION

OCULARC 1.0 - New Construction /Remodel

R1BRD, R1BSD, R1BRA, R1BSA

WAC LIGHTING

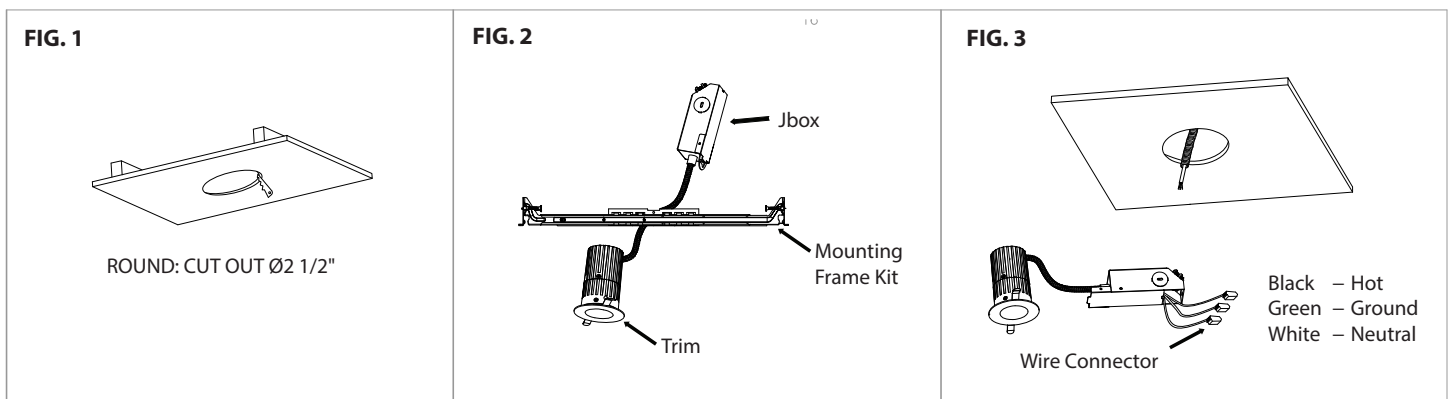
Responsible Lighting®

REMODEL INSTALLATION

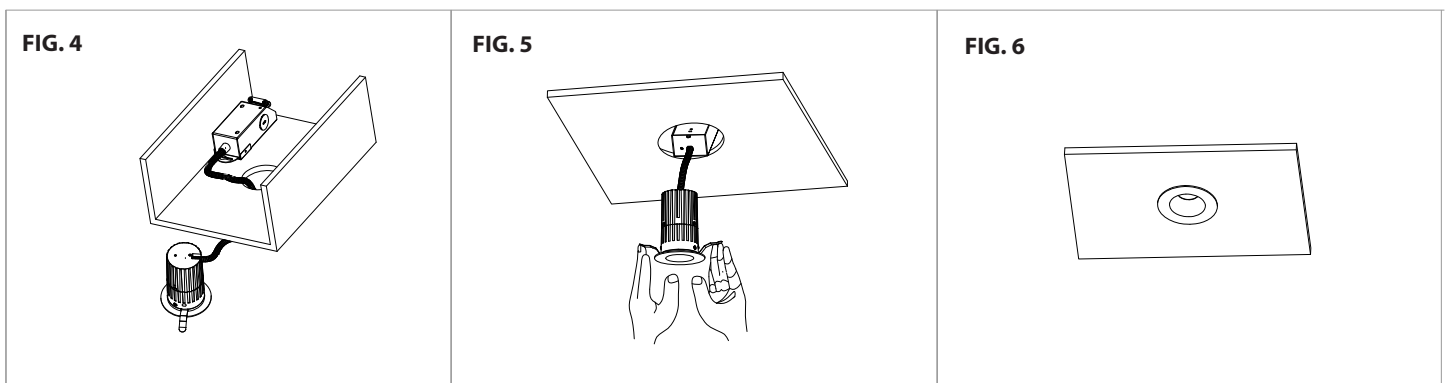
1. At the point of installation, cut a $\varnothing 2 \frac{1}{2}$ " round hole for a round trim or a square trim (See **FIG. 1**).
2. Ceiling thickness range is $\frac{1}{2}$ " to 1".
3. Take out fixture from packaging box. Remove trim and Jbox assembly from mounting frame kit. Use trim and Jbox assembly as remodel fixture, and throw away mounting frame kit (See **FIG. 2**).
4. Pull building supply wires through ceiling cutout and open fixture junction box door. Remove desired housing knockout and feed building wires into housing using appropriate connector.
5. Connect fixture wires to building wires (See **FIG. 3**):
Connect each supply wire with appropriate junction box wire connector. This fixture features electronic low voltage (ELV) or TRIAC dimming capabilities.

To utilize ELV or TRIAC, wire black (line hot), white (line neutral) and green (ground) in accordance to dimmer specifications.

When not using a dimmer, connect black fixture wire to hot, white fixture wire to neutral and green fixture wire to ground.



6. Place all wiring and connectors back in junction box and replace the junction box's cover.
7. Guide junction box through the cut hole and secure appropriately (See **FIG. 4**).
8. Fold trim assembly mounting springs inward and insert trim assembly into ceiling cutout. Be sure once installed, trim assembly is flush and secure (See **FIG. 5 & 6**).



waclighting.com
Phone (800) 526.2588
Fax (800) 526.2585

Headquarters/Eastern Distribution Center
44 Harbor Park Drive
Port Washington, NY 11050

Central Distribution Center
1600 Distribution Ct
Lithia Springs, GA 30122

Western Distribution Center
1750 Archibald Avenue
Ontario, CA 91760

INSTALLATION INSTRUCTION

OCULARC 1.0 - New Construction/ Remodel

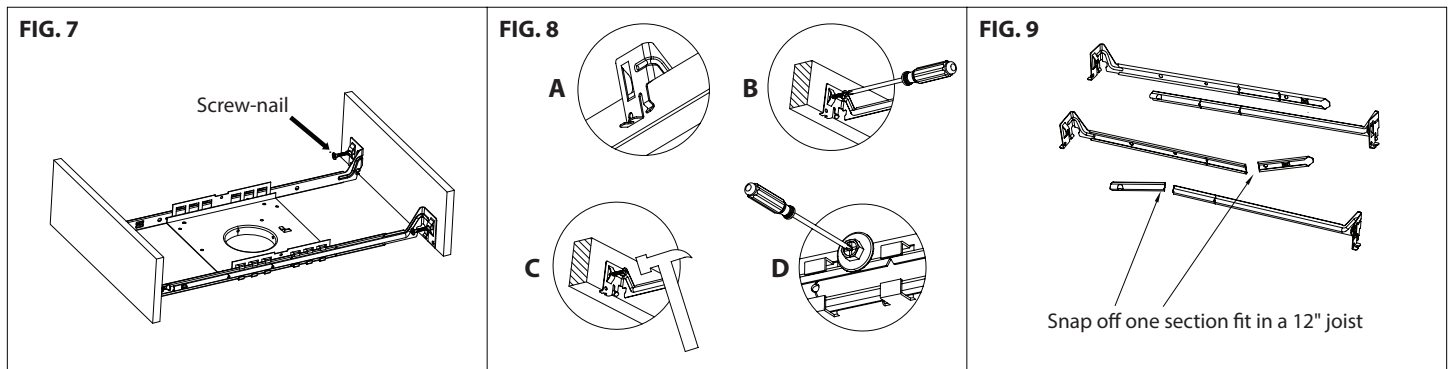
R1BRD, R1BSD, R1BRA, R1BSA

WAC LIGHTING

Responsible Lighting®

NEW CONSTRUCTION INSTALLATION

1. Install mounting frame using two hanger bars (24½" max). Bars are notched on the ends to fit over "T" bars in suspended ceilings (See **FIG. 8A**).
2. Hanger bars include a captive mounting "screw-nail" for ease of installation (See **FIG. 7**).
Align the bottom of the hanger bar with the bottom of the wood joist. Secure the "screw-nail" on each end by screwdriver (See **FIG. 8B**), or by hammer (See **FIG. 8C**).
3. Slide fixture along bar hangers into desired location. Use locking screws to secure (See **FIG. 8D**).
4. To shorten hanger bars to fit in a 12" joist, snap off one section of the hanger bars (See **FIG. 9**).
5. Cut a Ø2 ½" diameter hole in the ceiling at the point of installation and install ceiling (See **FIG. 1**).
6. Pull building supply wires through ceiling cutout and open fixture junction box door.
Remove desired housing knockout and feed building wires into housing using appropriate connector.

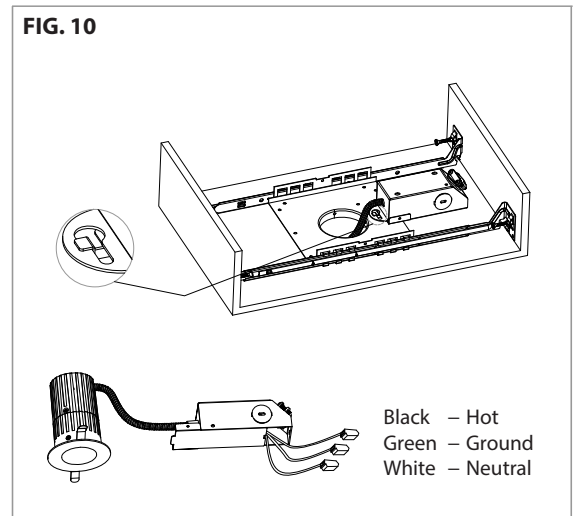


7. Connect fixture wires to building wires (See **FIG. 10**):
Connect each supply wire with appropriate junction box connector. This fixture features electronic low voltage (ELV) or TRIAC dimming capabilities.

To utilize ELV or TRIAC, wire black (line hot), white (line neutral) and green (ground) in accordance to dimmer specifications.

When not using a dimmer, connect black fixture wire to hot, white fixture wire to neutral and green fixture wire to ground.

8. Place all wiring and connectors back in junction box and replace the junction box's cover.
9. Guide junction box through the ceiling opening and secure appropriately.
10. Fold trim assembly mounting springs inward and insert trim assembly into ceiling cutout. Be sure once installed, trim assembly is flush and secure (See **FIG. 5 & 6**).



waclighting.com
Phone (800) 526.2588
Fax (800) 526.2585

Headquarters/Eastern Distribution Center
44 Harbor Park Drive
Port Washington, NY 11050

Central Distribution Center
1600 Distribution Ct
Lithia Springs, GA 30122

Western Distribution Center
1750 Archibald Avenue
Ontario, CA 91760

INSTALLATION INSTRUCTION

OCULARC 1.0 - New Construction/ Remodel

R1BRD, R1BSD, R1BRA, R1BSA

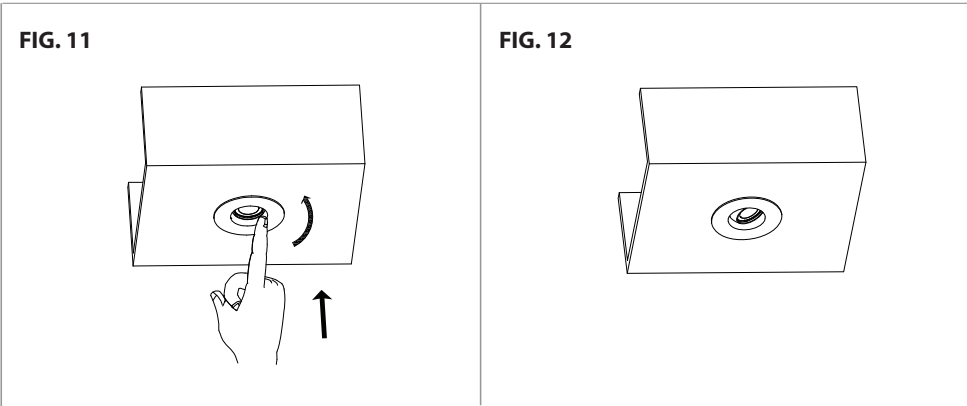
WAC LIGHTING

Responsible Lighting®

ADJUSTMENT FEATURES

The adjustable trims can be vertically adjusted between 0-35 degrees, and can self-stop in place once the adjustment is done.

Use one finger to push up one side of trim edge to get the desired degree (See **FIG. 11 & 12**).



waclighting.com
Phone (800) 526.2588
Fax (800) 526.2585

Headquarters/Eastern Distribution Center
44 Harbor Park Drive
Port Washington, NY 11050

Central Distribution Center
1600 Distribution Ct
Lithia Springs, GA 30122

Western Distribution Center
1750 Archibald Avenue
Ontario, CA 91760