

Cubist
5397

Project Name _____

Fixture Type _____

Quantity _____

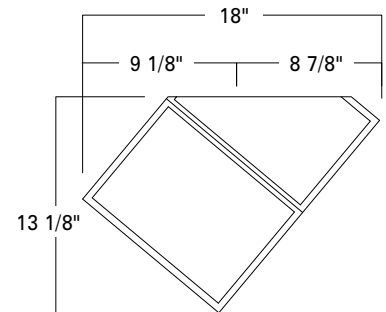
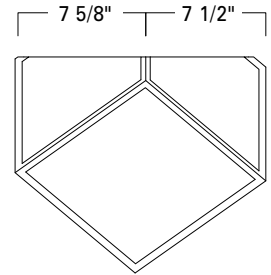
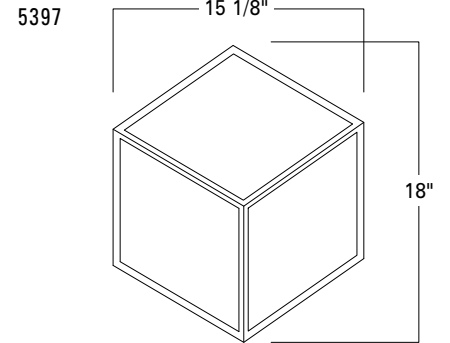
Norwell | Lighting

ILEX

Custom Metalcraft



Cubist
5397-MB-MA



Easy Magnetic Installation
Fixture body "snaps - to" mounting ring

Product Name / Model / Dimensions	Finish Options	Diffuser Options	Lamping Options				
<p>Cubist - 5397</p> <table border="1"> <tr> <td>Height</td> <td>Width</td> </tr> <tr> <td>15.125"</td> <td>18.00"</td> </tr> </table>	Height	Width	15.125"	18.00"	<p>Standard Matte Black / MB</p>	<p>Standard Matte Opal Acrylic / MA</p>	<p>Standard Incandescent / IN (1) 60 Watt Medium Base Edison</p>
Height	Width						
15.125"	18.00"						

UL/ETL Listed, Dry Location Rated

2-2021

DISCLAIMER:

Norwell Lighting and its companies, ILEX Architectural Lighting and Custom Metalcraft reserve the right to change specifications related to its product at anytime. USA Made indicates product is manufactured in East Taunton, Massachusetts facility. Phone: 508-823-1751