



Project: _____

Location: _____

Fixture Type: _____

Catalog Number: _____

AVAILABLE FINISHES:



Neo

FM-3708

PRODUCT DESCRIPTION

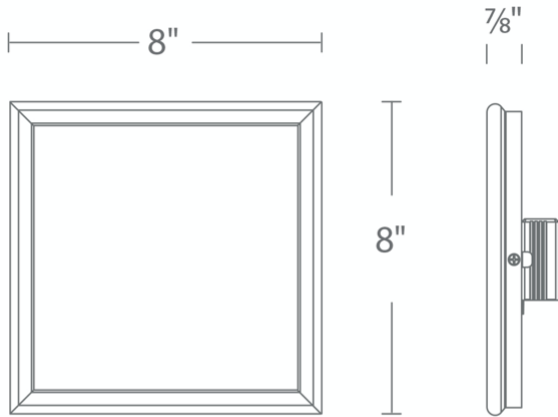
Using the latest technology from the television and display industry, the Neo collection offers phenomenal light free from glare and hot spots in a clean, thin profile. That's because of the edge-lit LEDs inside, which provide beautiful, energy-efficient, long-lasting illumination.

FEATURES

- 277V option available for special order.
- Transformer installed within the Junction Box, transformer dimension: 2.0" x 1.4" x 1.0"
- Edge-lit technology

SPECIFICATIONS

Rated Life	50000 Hours
Standards	ETL, cETL, Damp Location Listed
Input	120 VAC, 50/60Hz
Driver Dimension	2.0" x 1.4" x 1.0"
Dimming	ELV
Mounting	Can be mounted on ceiling or wall in all orientations
Color Temp	3000K
CRI	90
Construction	Aluminum with edge lit screen technology



FM-3708

Model & Size	Color Temp	Finish	LED Watts	LED Lumens	Delivered Lumens
FM-3708 8"	3000K	AL Brushed Aluminum	16.5W	965	575

Example: **FM-3708-AL**

•For 277V special order, add an "F" before the finish: FM-3708F-AL

For custom requests please contact customs@modernforms.com



Project: _____

Location: _____

Fixture Type: _____

Catalog Number: _____

AVAILABLE FINISHES:



Neo

FM-3712

PRODUCT DESCRIPTION

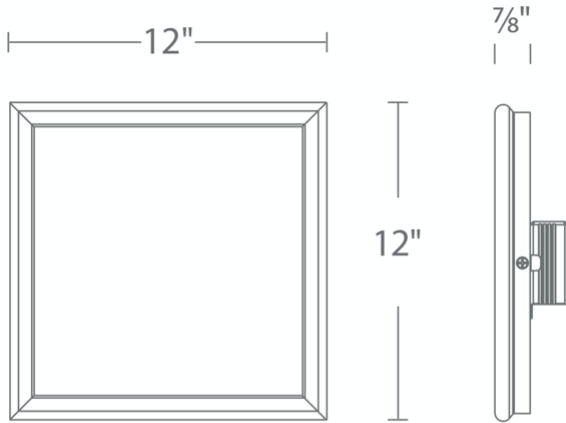
Using the latest technology from the television and display industry, the Neo collection offers phenomenal light free from glare and hot spots in a clean, thin profile. That's because of the edge-lit LEDs inside, which provide beautiful, energy-efficient, long-lasting illumination.

FEATURES

- 277V option available for special order.
- Transformer installed within the Junction Box, transformer dimension: 2.0" x 1.4" x 1.0"
- Edge-lit technology

SPECIFICATIONS

Rated Life	50000 Hours
Standards	ETL, cETL, Damp Location Listed
Input	120 VAC, 50/60Hz
Driver Dimension	2.0" x 1.4" x 1.0"
Dimming	ELV
Mounting	Can be mounted on ceiling or wall in all orientations
Color Temp	3000K
CRI	90
Construction	Aluminum with edge lit screen technology



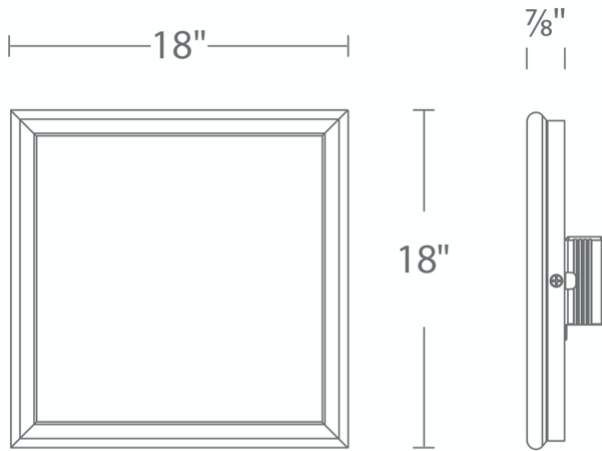
FM-3712

Model & Size	Color Temp	Finish	LED Watts	LED Lumens	Delivered Lumens
FM-3712 12"	3000K	AL Brushed Aluminum	25W	1940	1135

Example: **FM-3712-AL**

•For 277V special order, add an "F" before the finish: FM-3712F-AL

For custom requests please contact customs@modernforms.com



FM-3718

Project: _____

Location: _____

Fixture Type: _____

Catalog Number: _____

AVAILABLE FINISHES:



Neo

FM-3718

PRODUCT DESCRIPTION

Using the latest technology from the television and display industry, the Neo collection offers phenomenal light free from glare and hot spots in a clean, thin profile. That's because of the edge-lit LEDs inside, which provide beautiful, energy-efficient, long-lasting illumination.

FEATURES

- 277V option available for special order.
- Transformer installed within the Junction Box, transformer dimension: 2.0" x 1.4" x 1.0"
- Edge-lit technology

SPECIFICATIONS

Rated Life	50000 Hours
Standards	ETL, cETL, Damp Location Listed
Input	120 VAC, 50/60Hz
Driver Dimension	2.0" x 1.4" x 1.0"
Dimming	ELV
Mounting	Can be mounted on ceiling or wall in all orientations
Color Temp	3000K
CRI	90
Construction	Aluminum with edge lit screen technology

Model & Size	Color Temp	Finish	LED Watts	LED Lumens	Delivered Lumens
FM-3718 18"	3000K	AL Brushed Aluminum	47.8W	2990	1809

Example: **FM-3718-AL**

•For 277V special order, add an "F" before the finish: FM-3718F-AL

For custom requests please contact customs@modernforms.com